

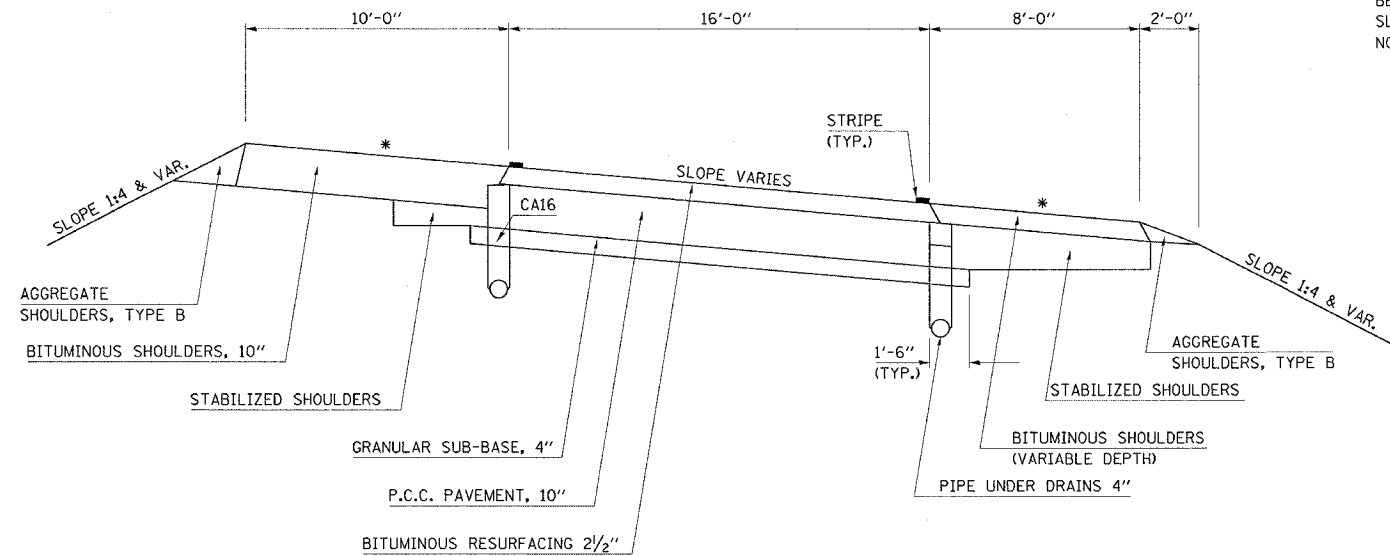
F.A.I. RTE.	SECTION	COUNTY	TOTAL SHEETS	SHEET NO.
74	*	CHAMPAIGN	115	23

CONTRACT NO. 70141  
 \* 10G-1-RS-1,14-1(R)RS & 6RS-3)

# EXISTING TYPICAL CROSS SECTION

RAMPS AT I-57  
 RAMP I-AD

STATION TO STATION  
 87+55.00 100+40.00

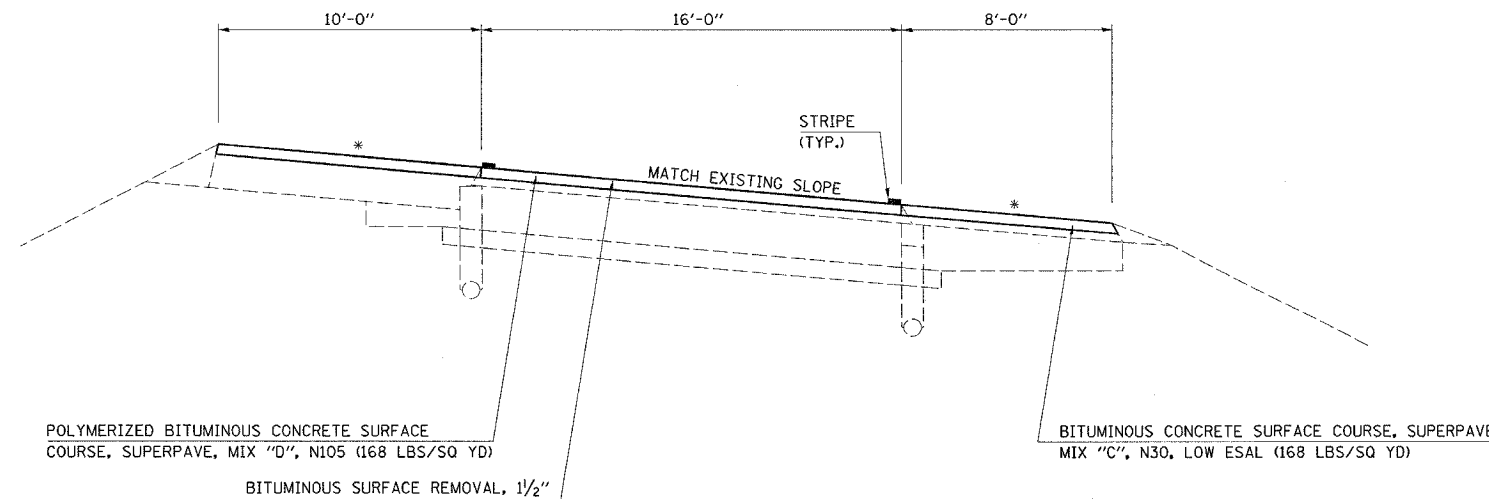


\* = THE ALGEBRAIC DIFFERENCE BETWEEN THE RAMP PAVEMENT SLOPE AND SHOULDER SLOPE SHALL NOT EXCEED 8.0%

# PROPOSED TYPICAL CROSS SECTION

RAMPS AT I-57  
 RAMP I-AD

STATION TO STATION  
 87+55.00 100+40.00



\* = THE ALGEBRAIC DIFFERENCE BETWEEN THE RAMP PAVEMENT SLOPE AND SHOULDER SLOPE SHALL NOT EXCEED 8.0%