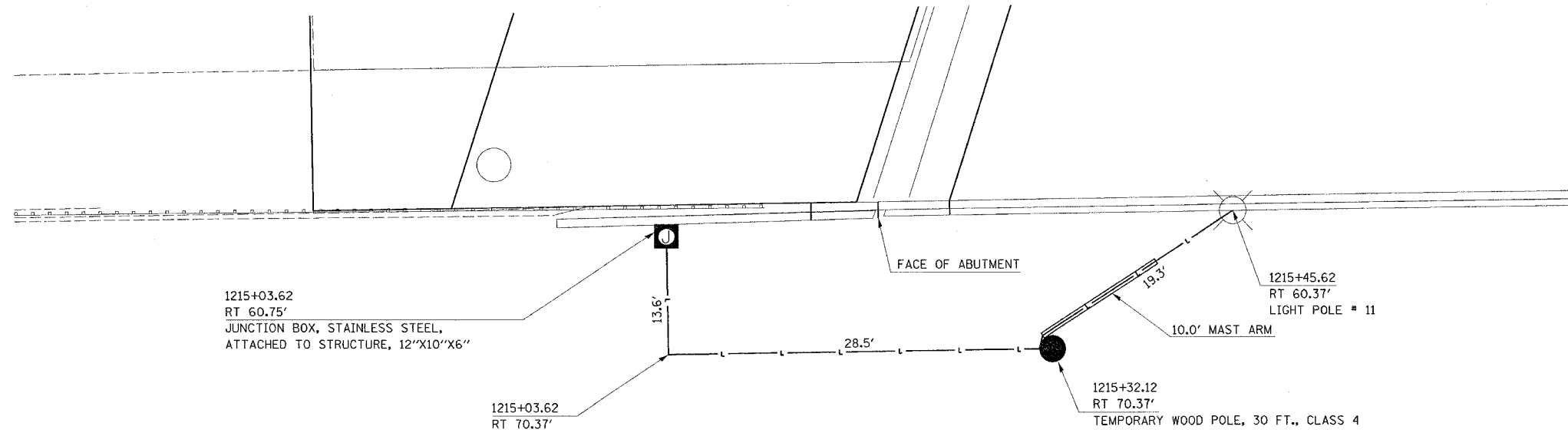


TEMPORARY LIGHTING DETAIL

AT S.N. 010-0021 - EASTBOUND

F.A.I. RTE.	SECTION	COUNTY	TOTAL SHEETS	SHEET NO.
74	*	CHAMPAIGN	115	68
STA. TO STA.		ILLINOIS FED. AID PROJECT		
FED. ROAD DIST. NO.		*1015-1-RS-1,14-1(R)RS & 6RS-3)		



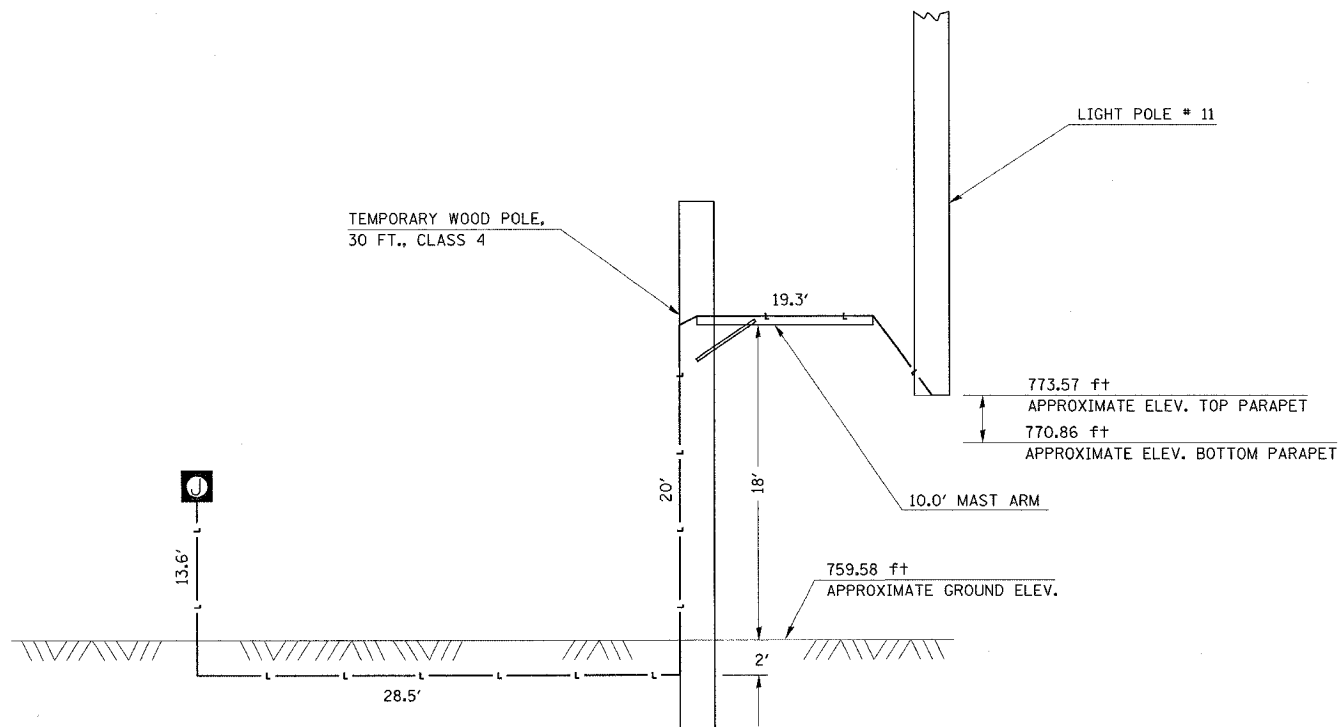
PLAN VIEW

80800100 TEMPORARY WOOD POLE, 30 FT., CLASS 4
 STATION / OFFSET TO STATION / OFFSET FOOT
 1215+32.12 RT / 70.37 1.0
 TOTAL = 1.0

81500200 TRENCH AND BACKFILL FOR ELECTRICAL WORK
 STATION / OFFSET TO STATION / OFFSET FOOT
 1215+03.62 / RT 60.79' 1215+03.62 / 70.37' 45.0
 1215+03.62 / RT 70.37' 1215+32.12 / 70.37' 45.0
 TOTAL = 45.0

81600315 UNIT DUCT, 2*6XLP, 1*6 XLP GROUND 1" POLYETHYLENE
 STATION / OFFSET TO STATION / OFFSET FOOT
 1215+03.62 / RT 60.75' 1215+03.62 / 70.37' 100.0
 1215+03.62 / RT 70.37' 1215+32.12 / 70.37' 100.0
 1215+32.12 / RT 70.37' 1215+45.62 / 60.37' 100.0
 TOTAL = 100.0

84100110 REMOVAL OF TEMPORARY LIGHTING UNITS
 TOTAL = 1.0 EACH



ELEVATION

ILLINOIS DEPARTMENT OF TRANSPORTATION
TEMPORARY LIGHTING DETAIL
 F.A.I. ROUTE 74
 SECTION 1015-1-RS-1,14-1(R)RS & 6RS-3)
 CHAMPAIGN COUNTY
 SCALE: NO SCALE DRAWN BY: KB
 DATE: 02/09/05 CHECKED BY: