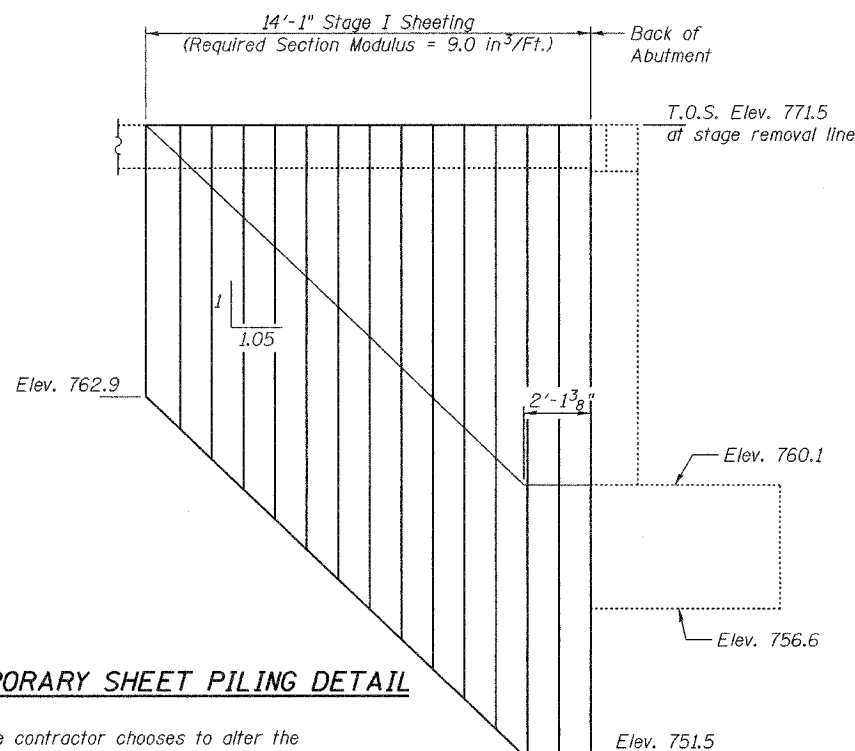


STATE OF ILLINOIS
DEPARTMENT OF TRANSPORTATION

ROUTE NO.	SECTION	COUNTY	SHEET NO.	SHEET NO. 2
		Champaign	73	10 SHEETS
FED. ROAD DIST. NO. 7	ILLINOIS	FED. AID PROJECT-		

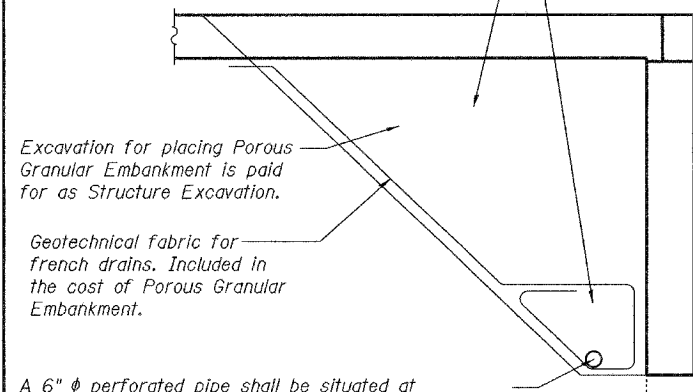
Contract No. 70141



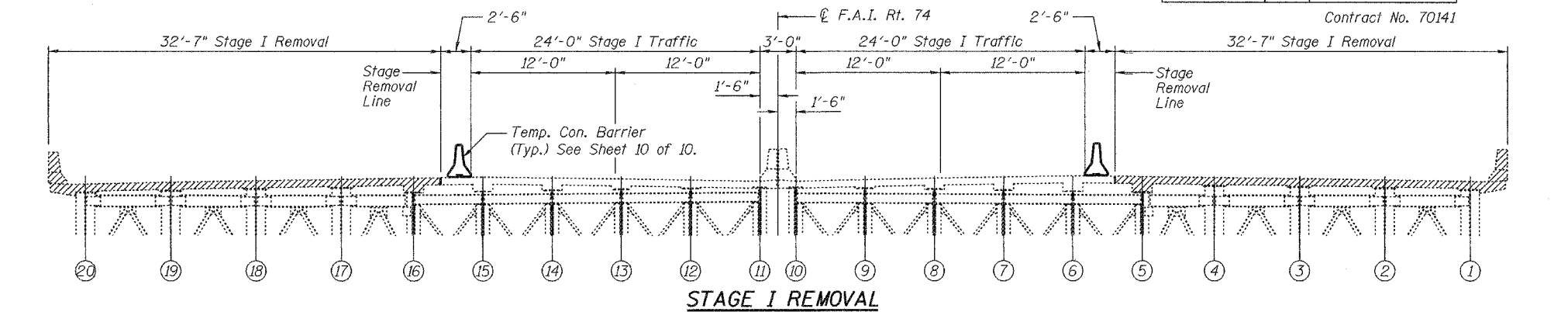
TEMPORARY SHEET PILING DETAIL

Notes:
If the contractor chooses to alter the temporary cantilevered sheet piling design requirements shown on the plans, a design submittal including plan details and calculations will be required for review and acceptance by the Engineer.

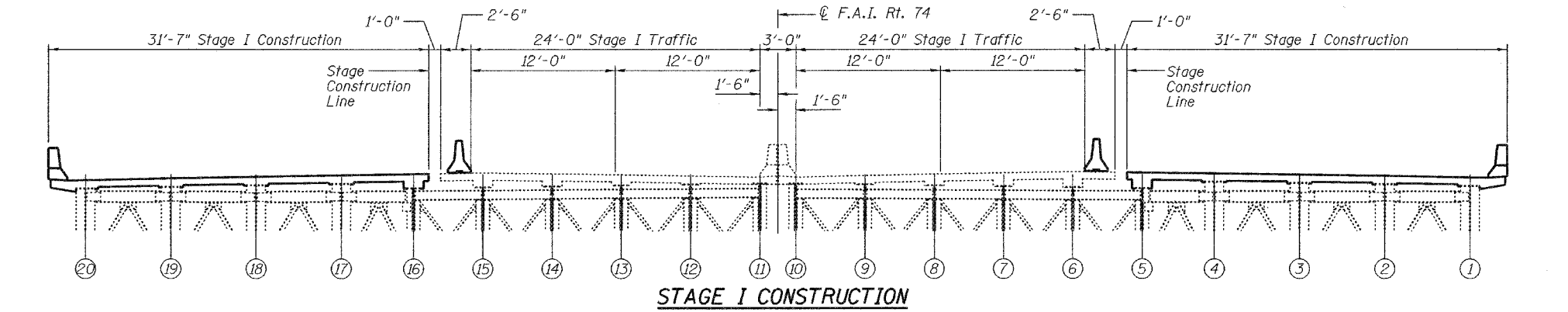
Backfill with uncompacted porous granular embankment with a gradation of CA-5 or CA-7 by Bridge Contractor after superstructure is in place. Limits shall be 1'-0" from the end of each wingwall.



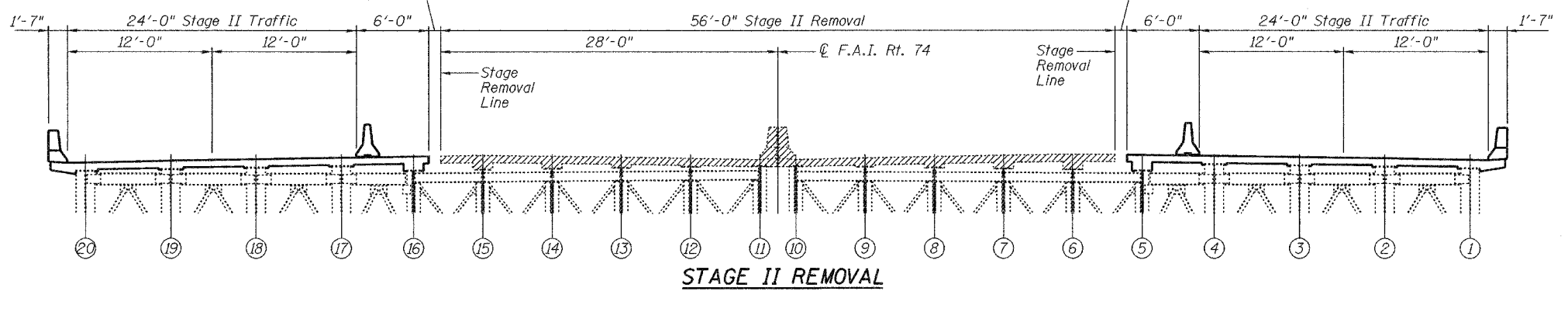
DRAIN DETAIL AT ABUTMENT



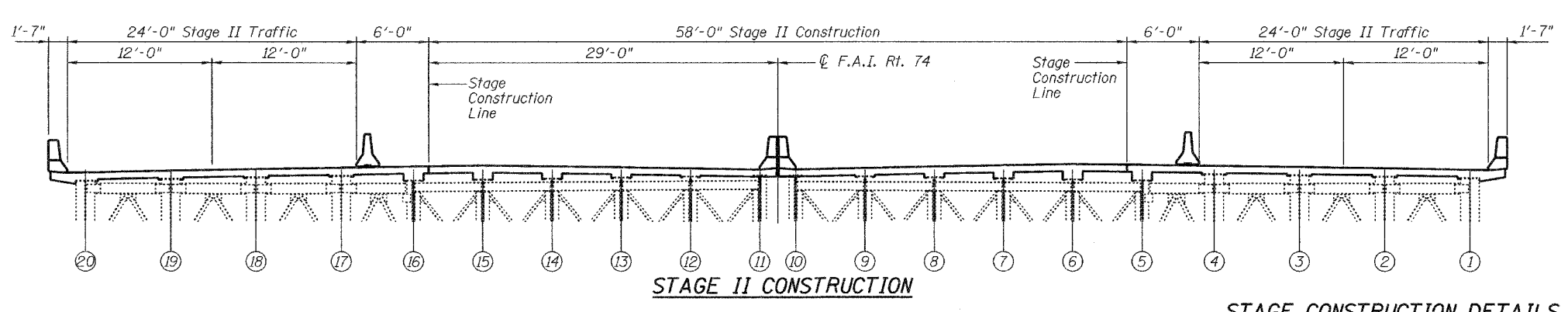
STAGE I REMOVAL



STAGE I CONSTRUCTION



STAGE II REMOVAL



STAGE II CONSTRUCTION

STAGE CONSTRUCTION DETAILS
F.A.I. RT. 74
CHAMPAIGN COUNTY
SN 010-0021

Notes:
All stage sections looking west.

DESIGNED	M.J.T.	DATE	December 7, 2005
CHECKED	D.A.B.	EXAMINED	John A. Morris ENGINEER OF STRUCTURAL SERVICES
DRAWN	Drew Christopher	PASSED	Ralph E. Anderson ENGINEER OF BRIDGES AND STRUCTURES
CHECKED	M.J.T. D.A.B.		