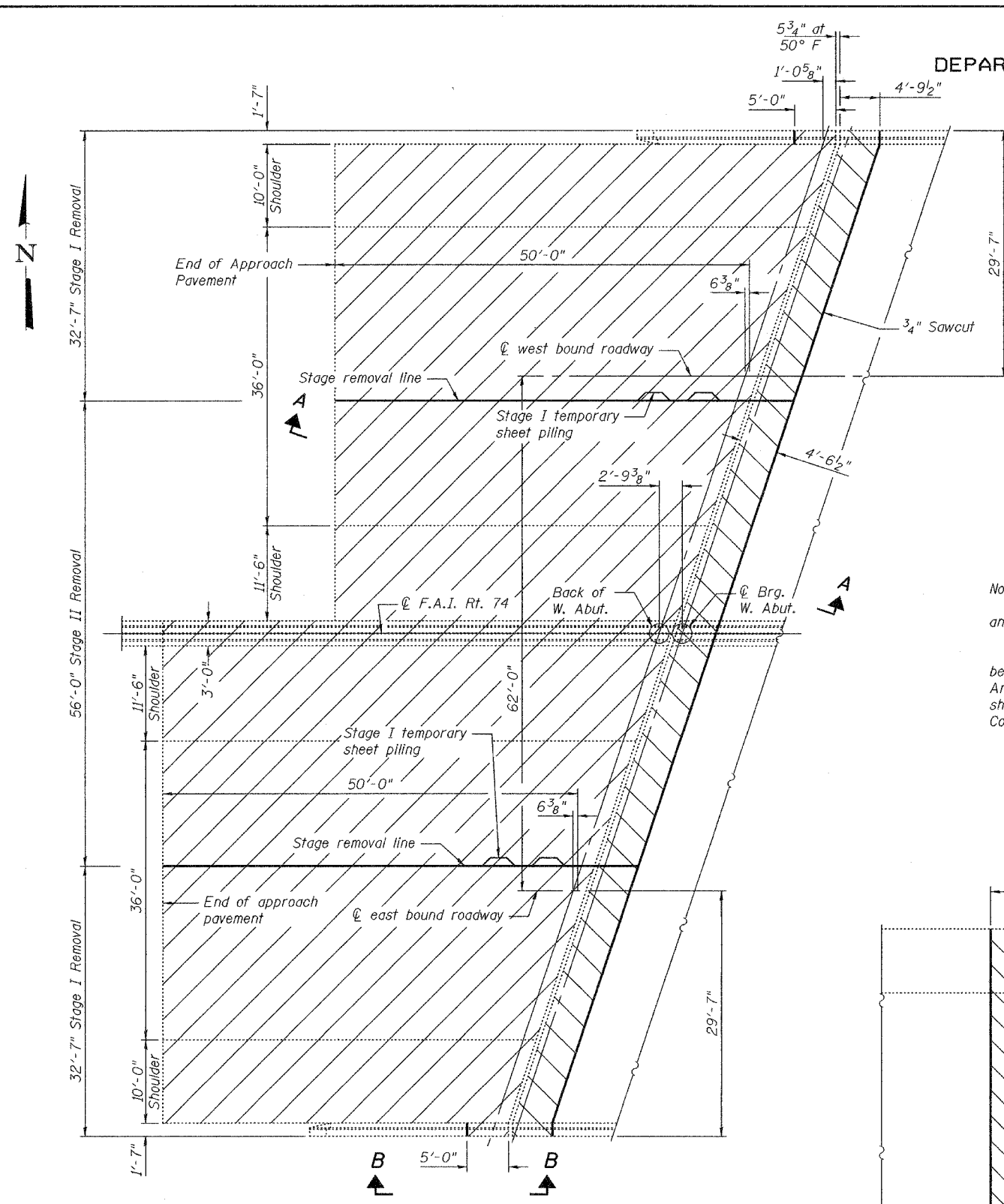


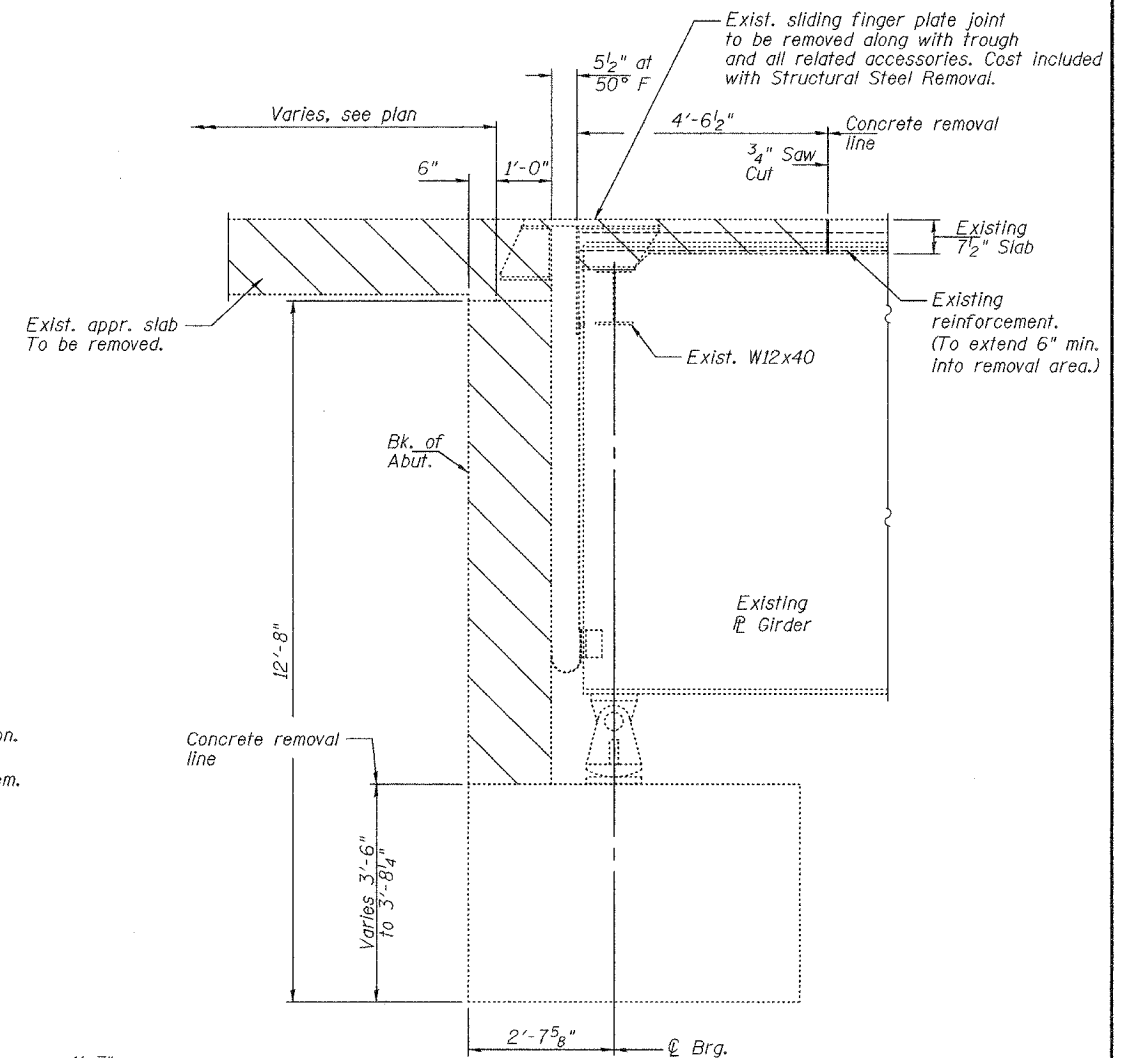
STATE OF ILLINOIS
DEPARTMENT OF TRANSPORTATION

ROUTE NO.	SECTION	COUNTY	SHEET NO.	SHEET NO.
		Champaign	74	10 SHEETS
FED. ROAD DIST. NO. 7	ILLINOIS	FED. AID PROJECT-		

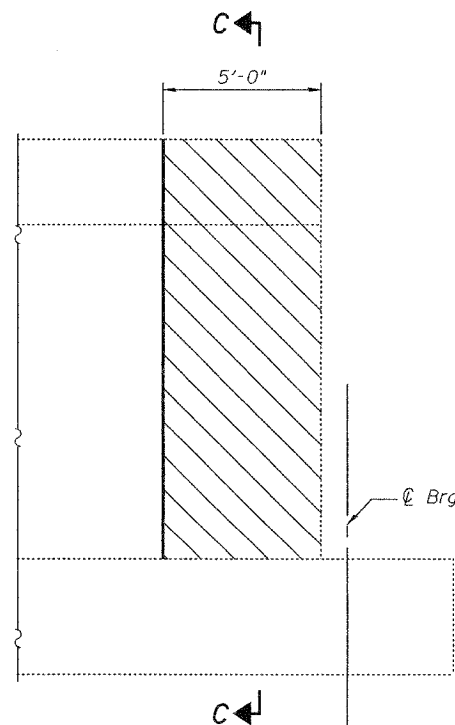
Contract No. 70141



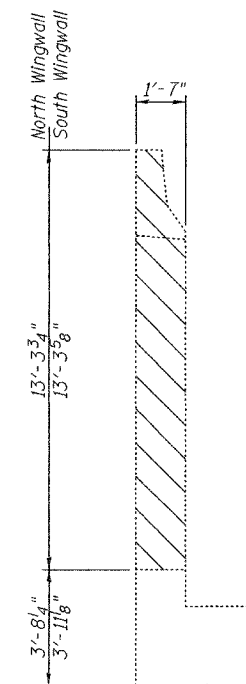
Note:
See roadway plans for details and quantities of new approach, and approach median parapets.
Hatched area indicates area of concrete removal.
Existing reinforcement extending into the removal area shall be cleaned, straightened and incorporated into the new construction. Any reinforcement bars that are damaged during concrete removal shall be replaced with an approved bar splicer or anchorage system. Cost shall be included with Concrete Removal.



SECTION A-A



VIEW B-B



SECTION C-C

WEST ABUTMENT AND APPROACH PLAN

WEST ABUTMENT FINGER PLATE AND
APPROACH SLAB REMOVAL DETAILS
F.A.I. RT. 74
CHAMPAIGN COUNTY
SN 010-0021

DESIGNED	M.J.T.
CHECKED	D.A.B.
DRAWN	Drew Christopher
CHECKED	M.J.T. D.A.B.

DECEMBER 7, 2005
EXAMINED *John A. Morris*
ENGINEER OF STRUCTURAL SERVICES
PASSED *Ralph E. Anderson*
ENGINEER OF BRIDGES AND STRUCTURES