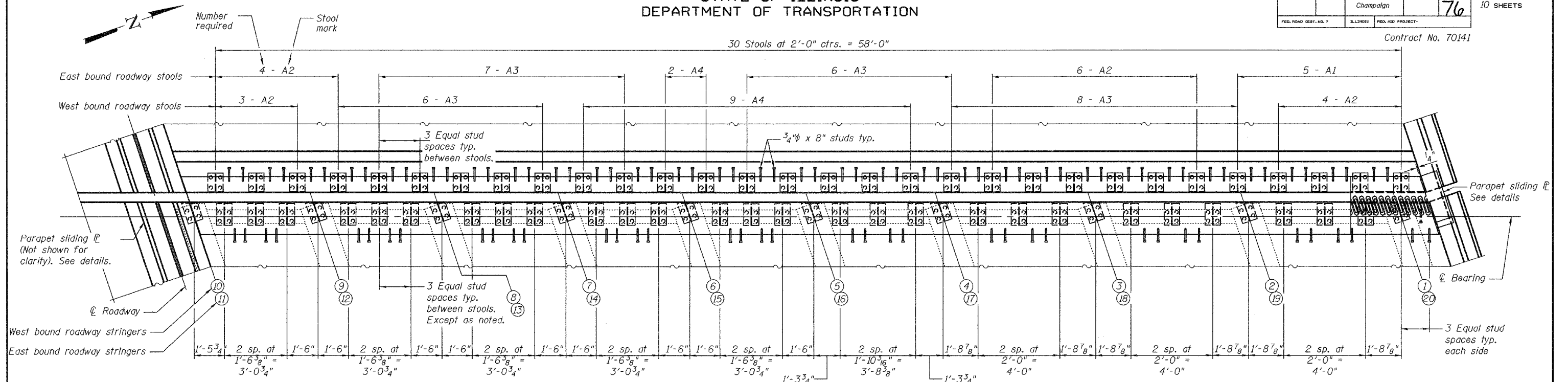


STATE OF ILLINOIS
DEPARTMENT OF TRANSPORTATION

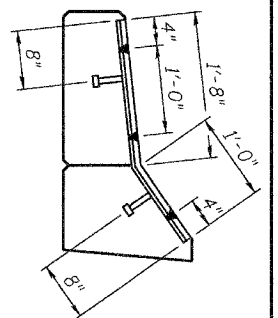
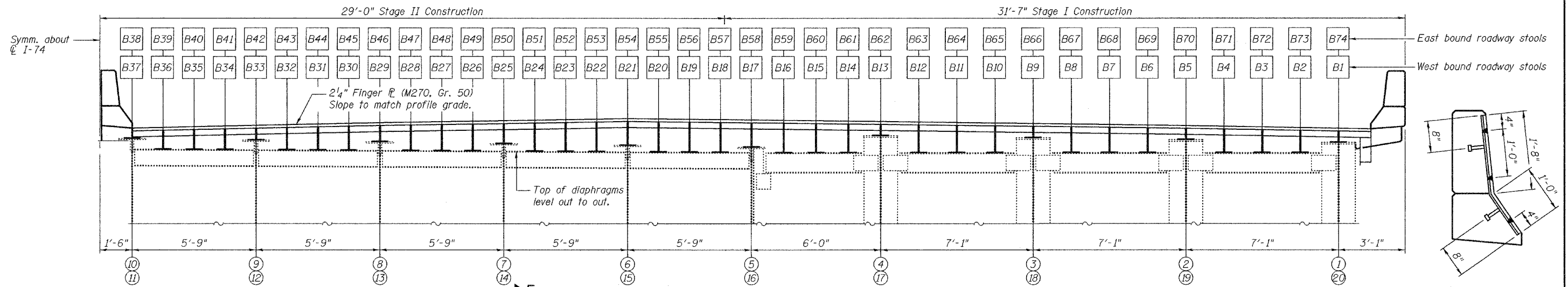
ROUTE NO.	SECTION	COUNTY	SHEET NO.	SHEET NO.
		Champaign	76	10 SHEETS
FED. ROAD DIST. NO. 7	ILLINOIS	FED. AID PROJECT-		

Contract No. 70141



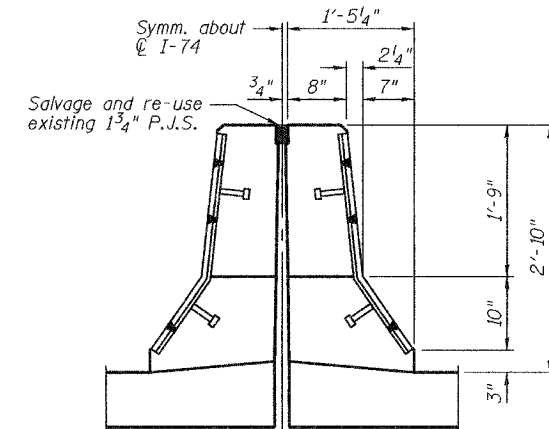
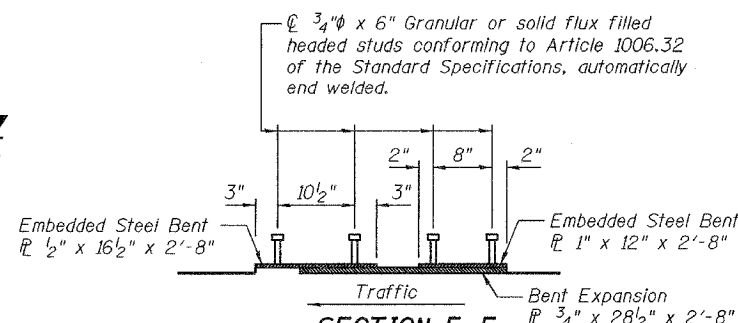
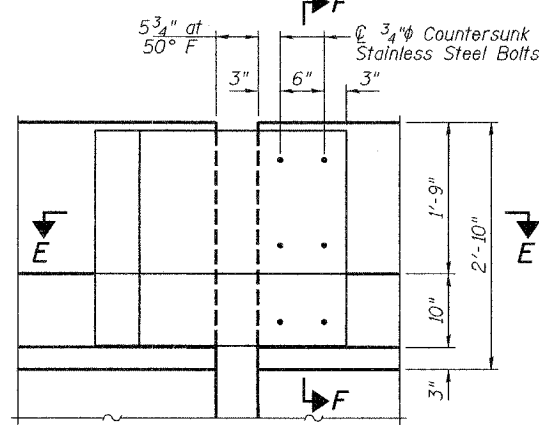
JOINT PLAN

(Showing the West bound lanes)
(East bound lanes similar as noted)



DECK CROSS SECTION

(Looking West)
(Showing the West bound lanes)
(East bound lanes similar as noted)



Note:
See sheet 6 of 10 for Stool dimensions.

FINGER PLATE JOINT PLAN AND ELEVATION
F.A.I. RT. 74
CHAMPAIGN COUNTY
SN 010-0021

Expansion Plate and Embedded Plates shall be galvanized according to AASHTO M111.
Cost included with Furnishing and Erecting Structural Steel.

DESIGNED	M.J.T.
CHECKED	D.A.B.
DRAWN	Drew Christopher
CHECKED	M.J.T., D.A.B.

December 7, 2005

EXAMINED John A. Morris
ENGINEER OF STRUCTURAL SERVICES

PASSED Ralph E. Anderson
ENGINEER OF BRIDGES AND STRUCTURES

ELEVATION - PARAPET SLIDING PLATE

SECTION THRU MEDIAN PARAPET