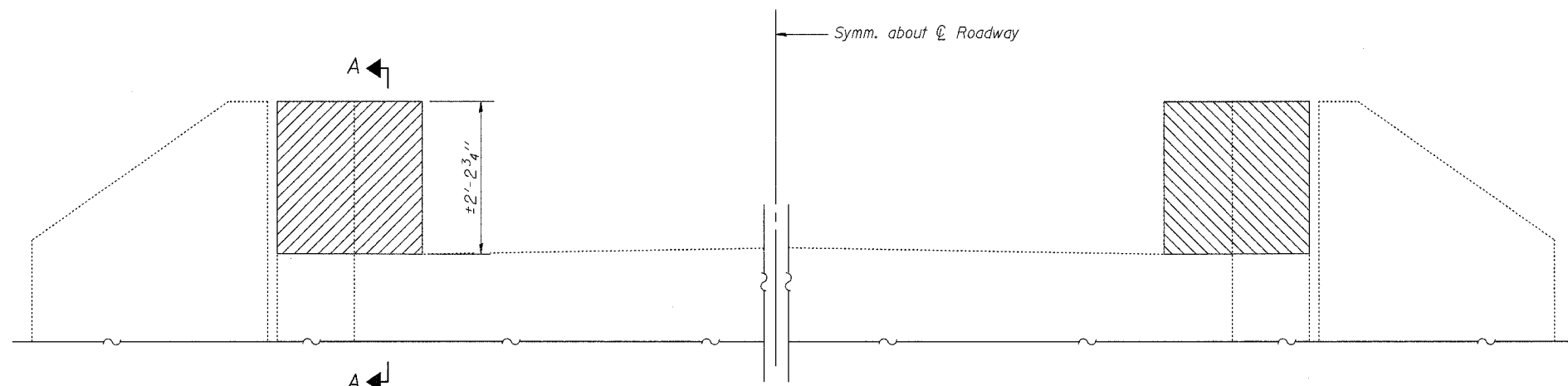
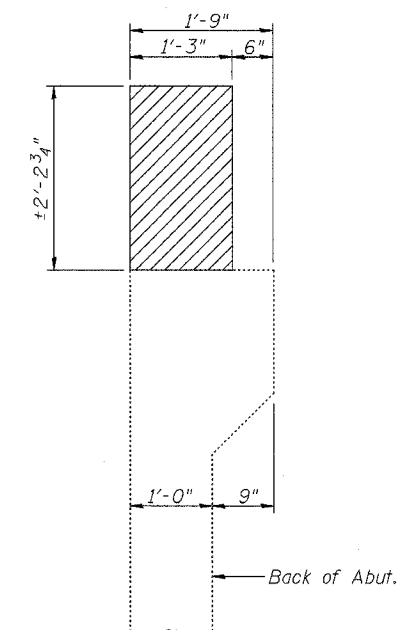


ROUTE NO.	SECTION	COUNTY	TOTAL SHEETS	SHEET NO.
F.A.P. 749	119(BR-2 & BR-3)	MOULTRIE	37	22
FED. ROAD DIST. NO. 5	ILLINOIS PROJECT			

Sheet 7 of 8 CONTRACT #70347



ELEVATION



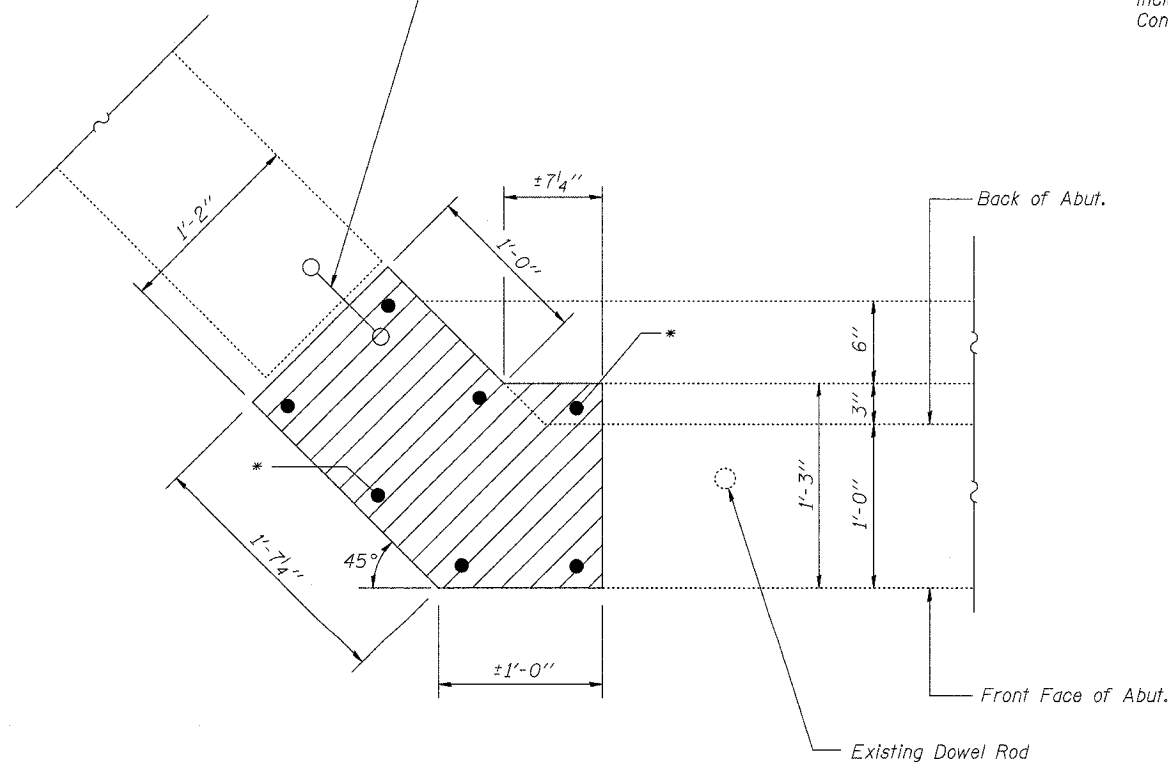
SECTION A-A

Existing water seal at each corner (typ.) to be re-used. Contractor shall ensure existing water seal is not damaged during concrete removal. See existing plans for details of water seal not shown.

Cut or burn existing dowel rods flush with existing abutment surface. Grind existing dowel rods smooth and seal with epoxy. Cost is included with Precast Prestressed Concrete Deck Beams (17" Depth).

Existing Approach Pavement To be removed See Roadway Plans

Existing reinforcement extending into Approach Pavement shall be cut off flush. Cost included with Approach Slab Removal, See Roadway Plans for quantity.



CONCRETE REMOVAL DETAIL AT ABUTMENT CORNERS

(NE & SW corners shown, NW & SE corners similar)

SECTION THRU ABUTMENT AT APPROACH PAVEMENT

TWO ABUTMENTS BILL OF MATERIAL

Concrete Removal	Cu. Yd.	1.0
------------------	---------	-----

DESIGNED	T.S.H.
CHECKED	R.V.B.
DRAWN	T.S.H.
CHECKED	M.D.C.

Notes:

Hatched area indicates limits of Concrete Removal.
 * Existing #7 v bars at each corner (typ.) to be re-used. Existing reinforcement bars extending into the removal area are to be cleaned, straightened, and incorporated into the new construction. All reinforcement bars damaged during concrete removal shall be replaced with an approved bar splicer or anchorage system.

CONCRETE REMOVAL

ILLINOIS ROUTE 133 OVER
 JONATHAN CREEK
 F.A.P. ROUTE 749 - SEC. 119(BR-2 & BR-3)
 MOULTRIE COUNTY
 STATION 258+73.50
 STRUCTURE NO. 070-0035

CUMMINS ENGINEERING CORPORATION

JOB #:	2114.4
FILE:	21144ABUTS
DATE:	10/12/05