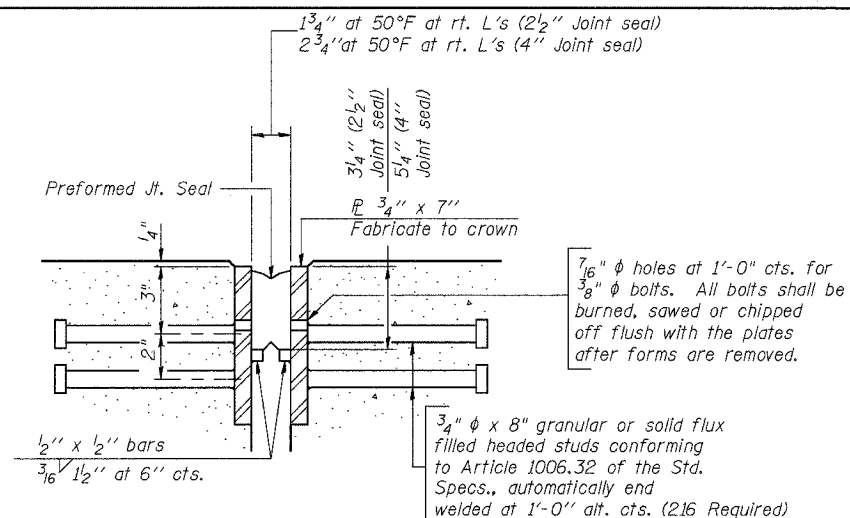


ROUTE NO.	SECTION	COUNTY	TOTAL SHEETS	SHEET NO.
F.A.P. 749	119(BR-2 & BR-3)	MOULTRIE	37	30
FED. ROAD DIST. NO. 5	ILLINOIS PROJECT			

Sheet 7 of 12 CONTRACT #70347

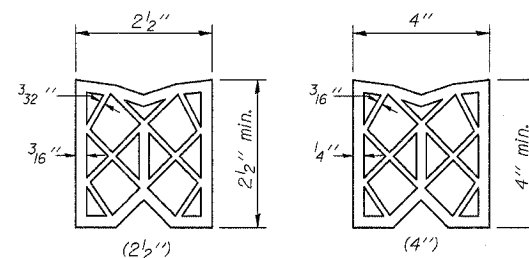
GENERAL NOTES

Furnish steel plates in segments of 20 feet maximum length. Maximum space between installed segments shall be $\frac{3}{16}$ ". Seal space with silicone sealant suitable for structural steel.

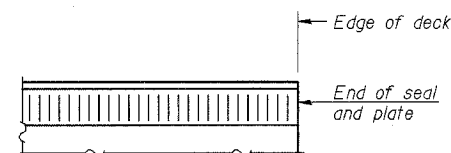


SECTION THRU EXPANSION JOINT
(2 1/2" and 4" joint seals)

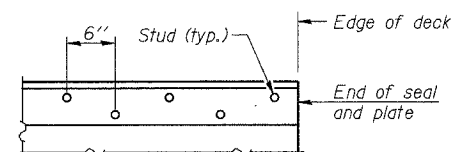
Bridge Joint System (Expansion)		
Design Movement	Required Preformed Joint Seal Size	Required Strip Seal Rated movement
1"	2 1/2"	1"
1 5/8"	4"	2"



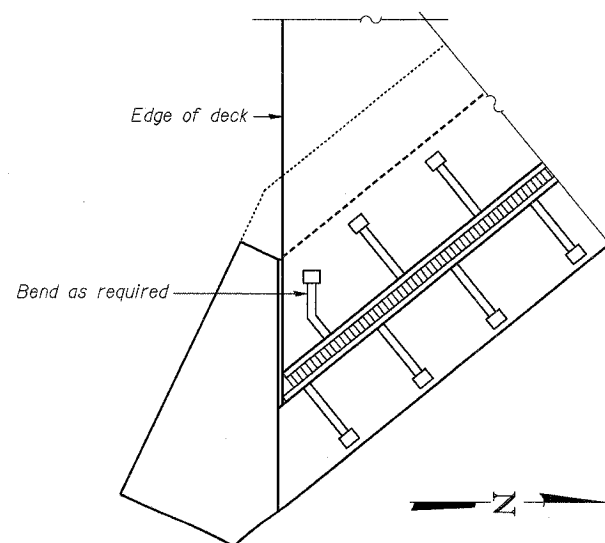
PREFORMED JOINT SEAL



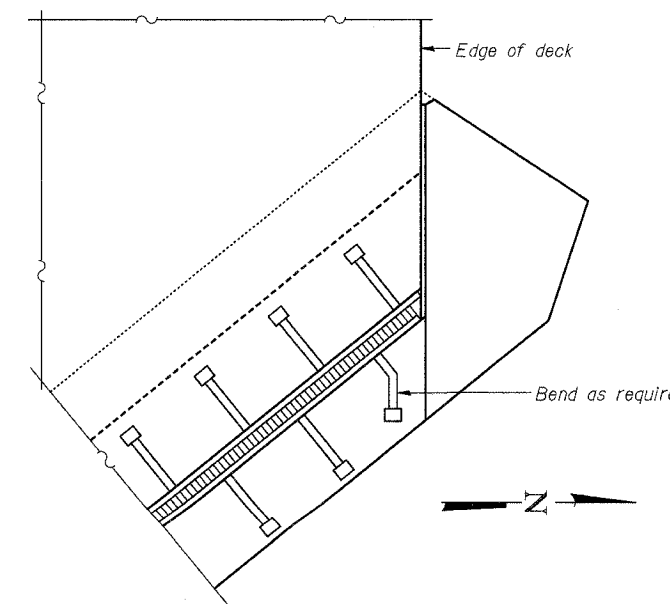
END TREATMENT ELEVATION
(Showing seal)



END TREATMENT ELEVATION
(Showing plate)



PLAN AT S.E. CORNER



PLAN AT N.E. CORNER

BILL OF MATERIAL

Item	Unit	Total
Bridge Joint System (Expansion), 1 5/8"	Foot	53.0

(Sheet 1 of 2)

DESIGNED	R.V.B.
CHECKED	T.S.H.
DRAWN	N.L.D.
CHECKED	M.D.C.

BRIDGE JOINT SYSTEM
ILLINOIS ROUTE 133 OVER
DRAINAGE DITCH
F.A.P. ROUTE 749 - SEC. 119(BR-2 & BR-3)
MOULTRIE COUNTY
STATION 453+12.03
STRUCTURE NO. 070-0016

CUMMINS ENGINEERING CORPORATION

JOB #:	2114.3
FILE #:	21143EXP
DATE:	10/12/05