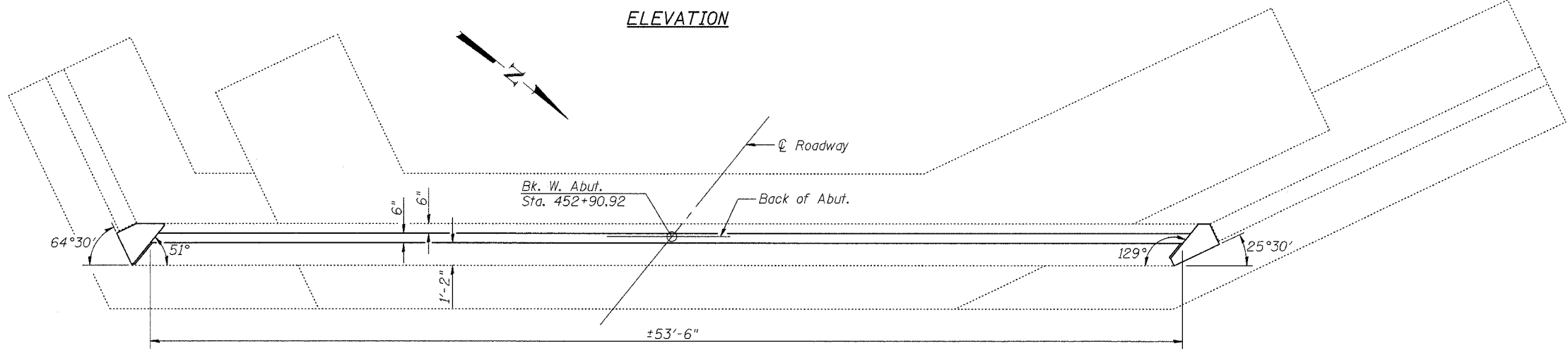


ELEVATION

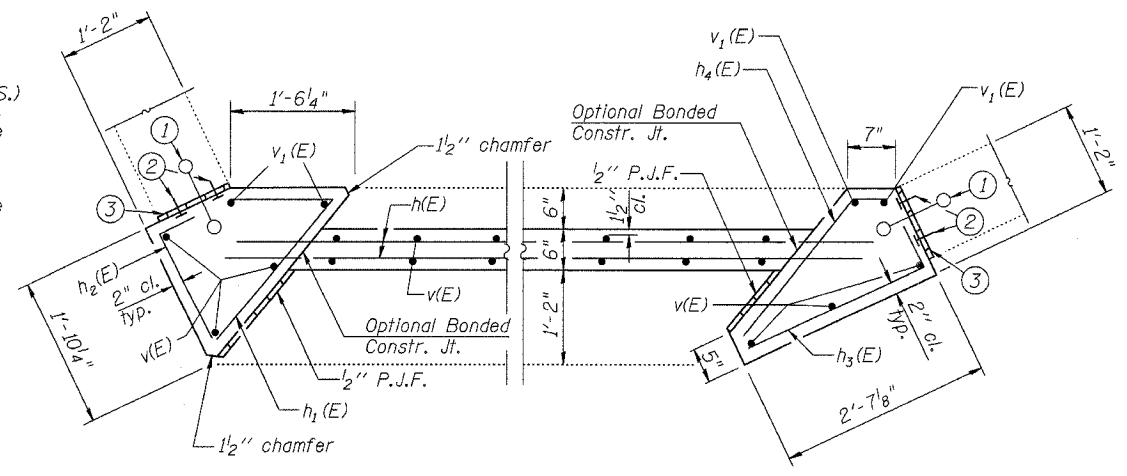
**WEST ABUTMENT
BILL OF MATERIAL**

Bar	No.	Size	Length	Shape
h(E)	12	#4	28'-9"	—
h1(E)	3	#4	3'-2"	7
h2(E)	3	#4	1'-11"	7
h3(E)	3	#4	2'-9"	7
h4(E)	3	#4	2'-5"	7
v(E)	114	#4	2'-7"	—
v1(E)	4	#4	1'-8"	—
Reinforcement Bars, Epoxy Coated		Pound	460	
Concrete Structures		Cu. Yd.	2.4	
Structure Excavation		Cu. Yd.	5.5	



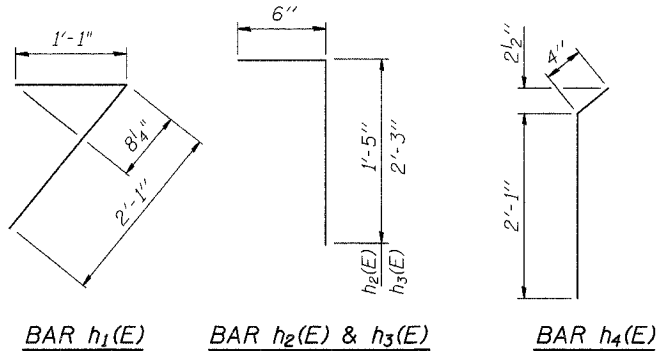
PLAN

- ① Existing water seal, to remain. See existing plans for details.
- ② Concrete Nails (Flat Hd. C.S.) 1" long at 12" cts. vertical, cost included with Concrete Structures.
- ③ 1/2" Premolded Joint Filler, cost included with Concrete Structures.



CORNER DETAILS

MIN BAR LAPS
#4 bar = 1'-10"



Notes:
All exposed edges shall have 3/4" chamfers unless noted otherwise.
Concrete Structures shown are to be poured after the Concrete Wearing Surface is in place and cured.
Epoxy grout v(E) bars into drilled holes according to Section 584 of the Standard Specifications. Locate holes to miss existing reinforcement. Min. embedment = 9".
Reinforcement bars designated (E) shall be epoxy coated.
Bars indicated thus 3x2-#5 etc. Indicates 3 lines of bars with 2 lengths per line.

DESIGNED	R.V.B.
CHECKED	T.S.H.
DRAWN	N.L.D.
CHECKED	M.D.C.

WEST ABUTMENT
ILLINOIS ROUTE 133 OVER
DRAINAGE DITCH
F.A.P. ROUTE 749 - SEC. 119(BR-2 & BR-3)
MOULTRIE COUNTY
STATION 453+12.03
STRUCTURE NO. 070-0016

CUMMINS ENGINEERING CORPORATION	JOB #: 2114.3
	FILE: 21143ABUTS
	DATE: 10/12/05