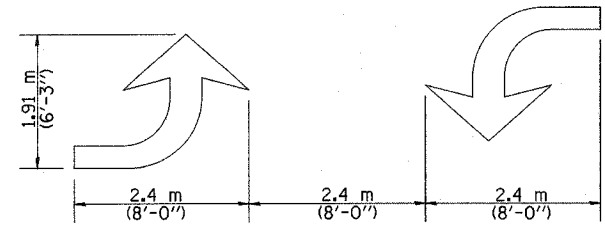
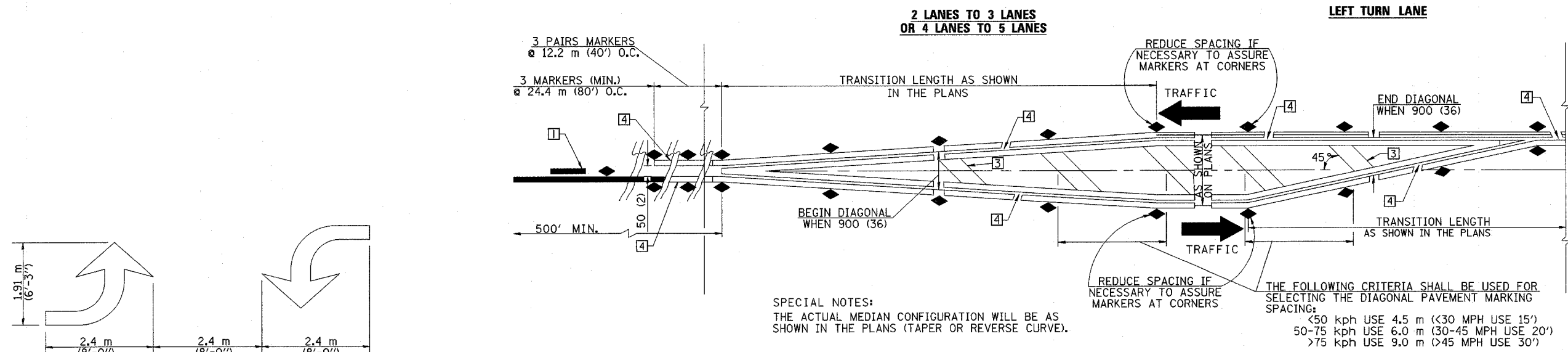
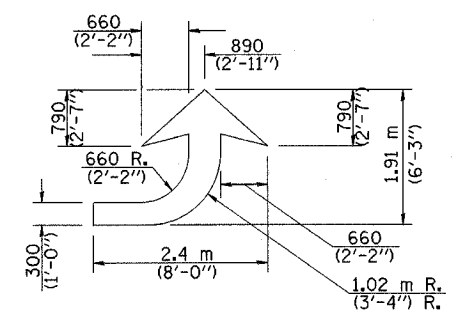


F.A.P. RTE.	SECTION	COUNTY	TOTAL SHEETS	SHEET NO.
836	118BR	CHAMPAIGN	29	22
FED. ROAD DIST. NO.		ILLINOIS	FED. AID PROJECT	

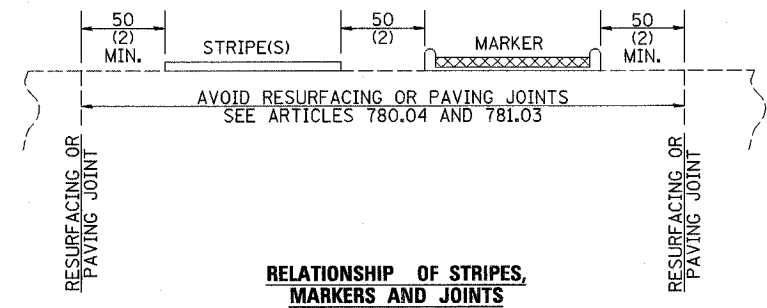
### TYPICAL APPLICATIONS OF PAVEMENT MARKINGS AND MARKERS



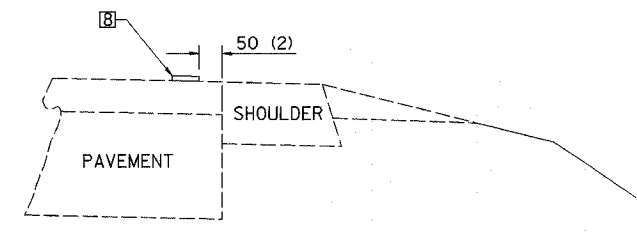
**TYPICAL DOUBLE TURN ARROWS (WHITE)**



**LEFT ARROW**  
REVERSE FOR RIGHT ARROW  
AREA= 1.47 m<sup>2</sup> (15.6 SQ. FT.)  
(WHITE)



**RELATIONSHIP OF STRIPES, MARKERS AND JOINTS**



**RELATIONSHIP OF EDGE STRIPE TO SAFETY SHOULDER OR PAVED SURFACE**

### TYPICAL MEDIAN TRANSITIONS

### GENERAL NOTES

- WHEN MEDIANS ARE PRESENT PAVEMENT MARKINGS ARE TO BE PLACED ADJACENT TO MEDIANS.
- SCALE: NONE
- SOME OF THE INFORMATION INCLUDED WITH THIS DETAIL MAY NOT BE APPLICABLE TO THIS IMPROVEMENT.
- PAVEMENT MARKINGS ARE TO BE EXTENDED THROUGH OMISSIONS WHEN APPLICABLE.
- A STRIPING KEY IS AVAILABLE ELSEWHERE AND SHALL BE SHOWN WHERE THE QUANTITIES ARE LISTED.
- FINAL PAVEMENT MARKINGS SHALL BE IN PLACE PRIOR TO PLACING ANY RAISED REFLECTIVE PAVEMENT MARKERS.
- THE FOLLOWING CRITERIA SHALL BE USED FOR SELECTING THE DIAGONAL PAVEMENT MARKING SPACING,  
< 50 kph USE 4.5 m (< 30 MPH USE 15')  
50-75 kph USE 6.0 m (30-45 MPH USE 20')  
> 75 kph USE 9.0 m (> 45 MPH USE 30')

REVISIONS	
NAME	DATE

ILLINOIS DEPARTMENT OF TRANSPORTATION

**TYPICAL APPLICATION OF PAVEMENT MARKINGS**  
SHEET 3 OF 3

SCALE: NONE  
DATE: 6/05

DRAWN BY DIST. 5  
CHECKED BY DIST. 5

\*DGN-SPEC\*  
\*DATE\*