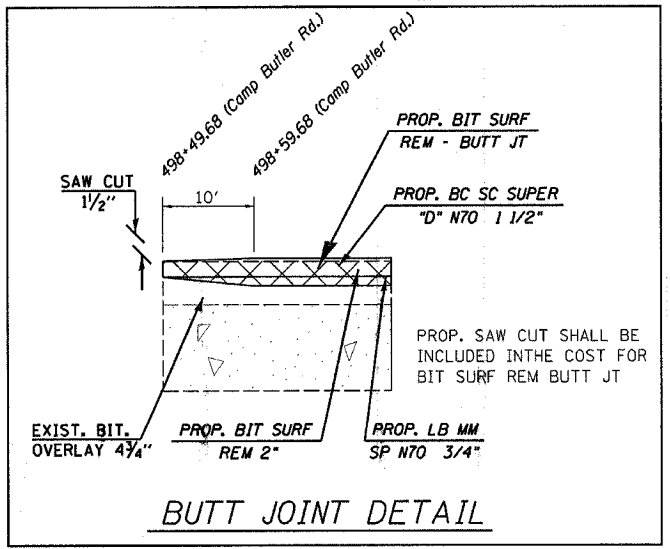
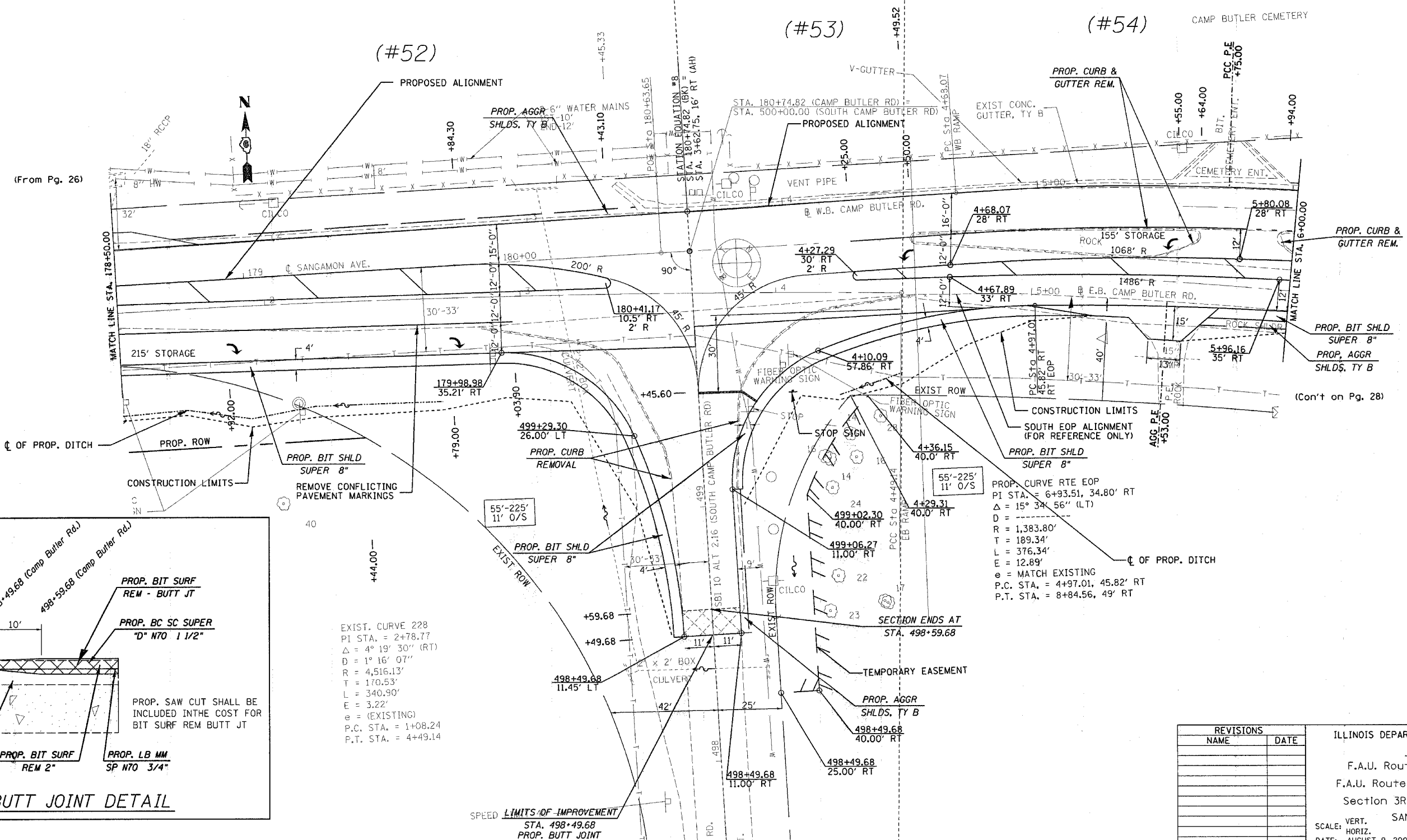


CONTRACT NO. 72449

F.A.U. RTE.	SECTION	COUNTY	TOTAL SHEETS	SHEET NO.
		SANGAMON	261	83
STA. 178+50.00		TO STA. 6+00.00		
FED. ROAD DIST. NO.		ILLINOIS FED. AID PROJECT		
		7978 (OLD US 36) & 7968 (CAMP BUTLER RD.)		
		3R(BR, BR-1, BR-2), 19R5-8		

EXIST. CURVE 221
 PI STA. = 6+14.29
 Δ = 15° 11' 35" (RT)
 D = 5° 13' 34"
 R = 1,096.33'
 T = 146.21'
 L = 290.71'
 E = 9.71'
 e =
 T.R. =
 S.E. RUN =
 P.C. STA. = 4+68.07
 P.T. STA. = 7+58.79



EXIST. CURVE 228
 PI STA. = 2+78.77
 Δ = 4° 19' 30" (RT)
 D = 1° 16' 07"
 R = 4,516.13'
 T = 170.53'
 L = 340.90'
 E = 3.22'
 e = (EXISTING)
 P.C. STA. = 1+08.24
 P.T. STA. = 4+49.14

SPEED LIMITS OF IMPROVEMENT
 STA. 498+49.68
 PROP. BUTT JOINT

REVISIONS	
NAME	DATE

ILLINOIS DEPARTMENT OF TRANSPORTATION
PLAN VIEW
 F.A.U. Route 7978 (OLD US 36) &
 F.A.U. Route 7968 (CAMP BUTLER RD.)
 Section 3R(BR, BR-1, BR-2), 19R5-8
 SANGAMON COUNTY
 VERT. SCALE: HORIZ.
 DATE: AUGUST 9, 2005
 DRAWN BY: JWC
 CHECKED BY: RSC

PLOT DATE = 11/2/2005
 FILE NAME = c:\projects\72449\plan\plan-0075.dgn
 PLOT SCALE = 26.0000 / 11
 USER NAME = cox,jh

shp1anr0075.dgn
 Chain: R007