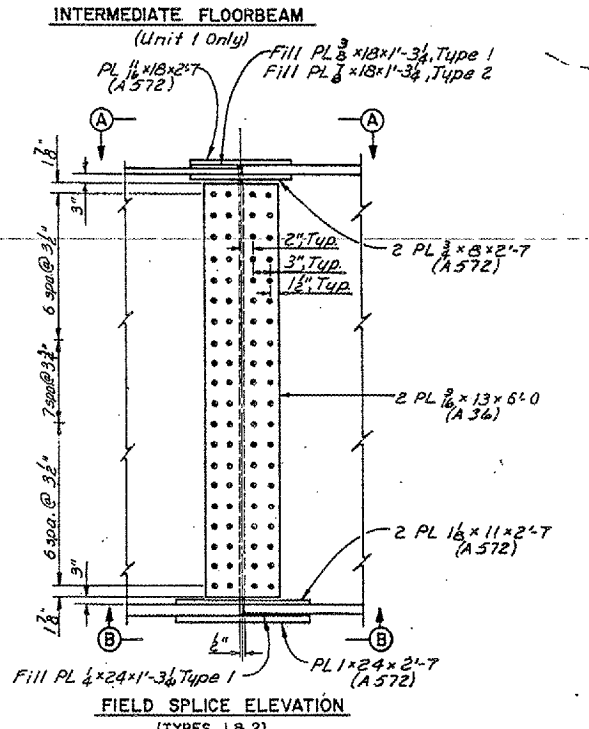
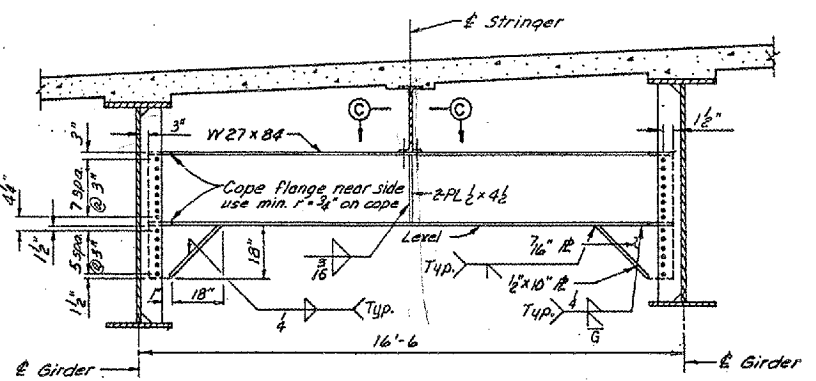
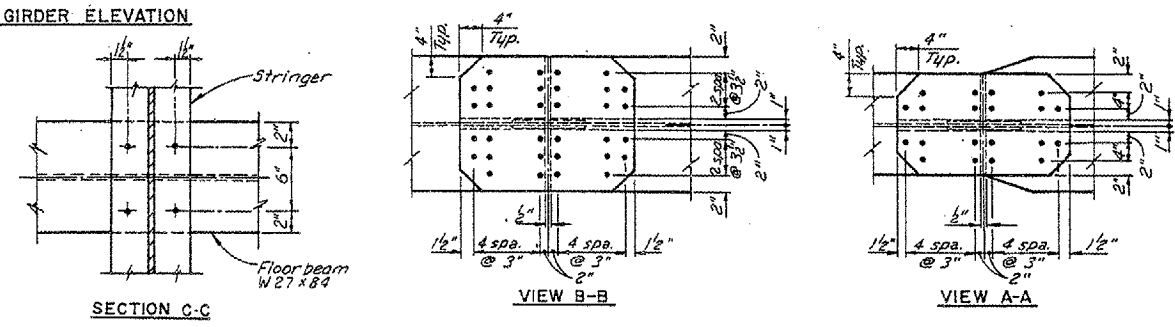


FEDERAL DIST. NO.	STATE	FED. AID PROJ. NO.	FISCAL YEAR	SHEET NO.	TOTAL SHEETS
	ILLINOIS			12	40

SPAN LENGTHS	GIRDER A		GIRDER B		GIRDER C		GIRDER D		GIRDER E	
	177'-0"	177'-0"	177'-0"	177'-0"	177'-0"	177'-0"	177'-0"	177'-0"	177'-0"	177'-0"
FIELD SPICES	128'-0"	128'-0"	128'-0"	128'-0"	128'-0"	128'-0"	128'-0"	128'-0"	128'-0"	128'-0"
TOP FLANGE SHEAR CONNECTOR SPACING	1'-10" 28 spa @ 13"=30'-4"	36 spa @ 1'-6"=54'-0"	37 spa @ 13"=40'-1"	1'-9" 1'-9" 20 spa @ 2'-0"=40'-0"	7'-3" 7'-3" 22 spa @ 2'-0"=44'-0"	1'-9" 1'-9" 42 spa @ 14"=49'-0"	25 spa @ 12"=25'-0"	2'-11 1/2"	131'-8 1/2"	132'-11 1/2"
PLATE	128'-0"	128'-0"	128'-0"	128'-0"	128'-0"	128'-0"	128'-0"	128'-0"	128'-0"	128'-0"
BOTTOM FLANGE PLATE	29'-0"	99'-0"	31'-0"	18'-0"	23'-0"	30'-0"	73'-11 1/2"	4'-9"	178'-0"	178'-0"
WEB PLATE	128'-0"	128'-0"	128'-0"	128'-0"	128'-0"	128'-0"	128'-0"	128'-0"	128'-0"	128'-0"



NOTES:  
For "Shear Connector Detail" see Sheet 84  
The weight of shear connectors are included in the Structural Steel Quantities.  
There shall be no shear connector groups located at the E of piers nor at L Brg. Exp. Jt. and at field splices.  
For girder end details see Sheet 88.



**MISSISSIPPI RIVER BRIDGE**  
KEOKUK, IOWA - HAMILTON, ILLINOIS

**STEEL ALTERNATE**  
DESIGN FOR 0° SKEW  
3340' x 64' CONTINUOUS WELDED PLATE GIRDER BRIDGE

GIRDER ELEVATION - UNIT 1

STA. 0+46.00  
RIVER MILE 263.9  
LEE COUNTY, IOWA

PROJECT NO. BR-19-1(3)-38-58  
HANCOCK COUNTY, ILLINOIS

DESIGN SHEET 63 OF

DESIGN NO. 13 LEE COUNTY FILE 25723 SHEET 69 OF 227

FOR INFORMATION ONLY