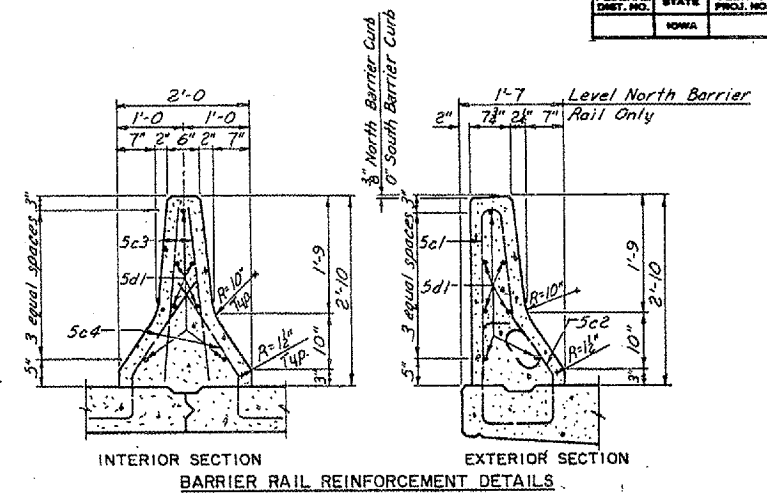
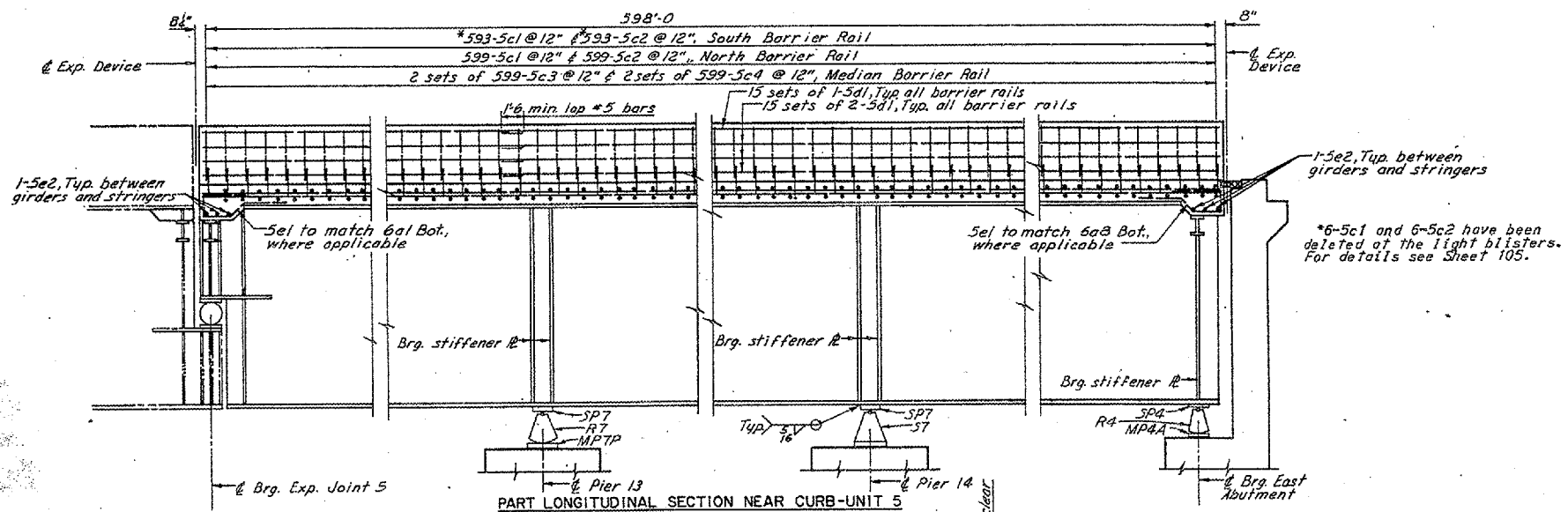


TYPICAL SECTION Note:
Diaphragms are not shown in typical section. For details see Sheet 75.

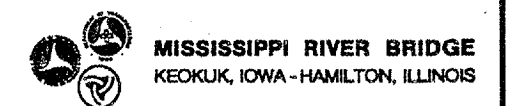
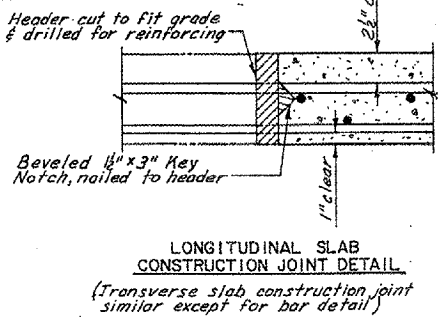


MEDIAN CURB CONCRETE QUANTITIES		
CONCRETE	599.0 ft X .1055 Cu.Yd/ft	63.2 Cu.Yd.



TYPICAL ROCKER SETTINGS UNIT 5					
	EXPANSION JOINT	PIER 13	PIER 14	EAST ABUTMENT	
Temperature at Time of Setting					
90° F	6 1/2"	+1"	+1 1/2"	0"	+2 1/2"
50° F	9"	0"	0"	0"	2 1/2"
10° F	11 1/2"	-1"	-1 1/2"	0"	-2 1/2"

NOTES:
Rockers are to be set vertically at 50° F.
For temperatures above 50° F set masonry plate toward fixed shoe (+).
For temperatures below 50° F set masonry plate away from fixed shoe (-).
Settings for other temperatures are proportional to those shown for a 40° temperature change.



STEEL ALTERNATE
DESIGN FOR 0° SKEW
3340' x 64' CONTINUOUS WELDED PLATE GIRDER BRIDGE
SLAB DETAILS-UNIT 5

STA. 80+42.00 RIVER MILE 383.9 LEE COUNTY, IOWA
PROJECT NO. BRV-16-1(3)-38-08 HANCOCK COUNTY, ILLINOIS

HOWARD NEEDLES TAMMEN & BERGENCOFF **HNTB**
MADE JMH DATE 5-82 CHECKED DLM DATE 7-82

FOR INFORMATION ONLY