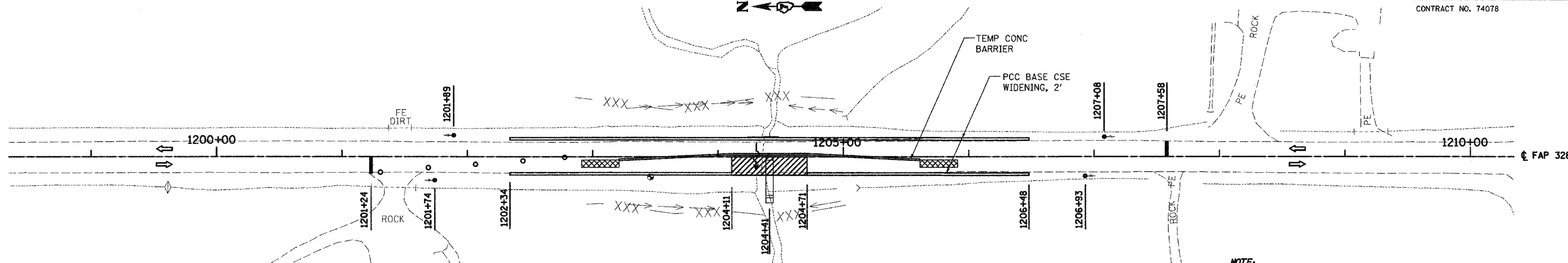


# STAGE 1-A (PHASE 1)

PAVEMENT PATCH  
 IMPACT ATTENUATORS, TEMPORARY (FULLY REDIRECTIVE), TEST LEVEL 3

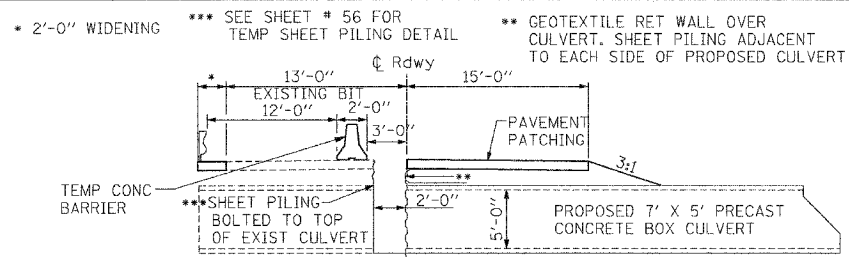
F.A.P. RTE.	SECTION	COUNTY	TOTAL SHEETS	SHEET NO.
328	5R, Y, RS-1	CLAY	242	28
STA.		TO STA.		
FED. ROAD DIST. NO. 7		ILLINOIS	FED. AID PROJECT	
CONTRACT NO. 74078				



- PAVEMENT PATCHING, TYPE IV, 10 INCH**  
 RT 1204+11 TO RT 1204+71 100 SQ YD
- TEMPORARY CONCRETE BARRIER (STATE OWNED)**  
 CL 1203+21 TO 1205+61 240 FT
- IMPACT ATTENUATORS, TEMPORARY (FULLY REDIRECTIVE), TEST LEVEL 3**  
 CL 1203+21 1 EACH  
 CL 1205+61 1 EACH
- TEMPORARY BRIDGE TRAFFIC SIGNALS**  
 1 EACH
- WORK ZONE PAVEMENT MARKING REMOVAL**  
 CL 1203+88 TO 1205+28 47 SQ FT  
 LT 1202+14 TO 1206+68 151 SQ FT
- TEMPORARY PAVEMENT MARKING - LINE 4"**  
 CL 1203+88 TO 1205+28 140 FT  
 LT 1202+14 TO 1206+68 454 FT

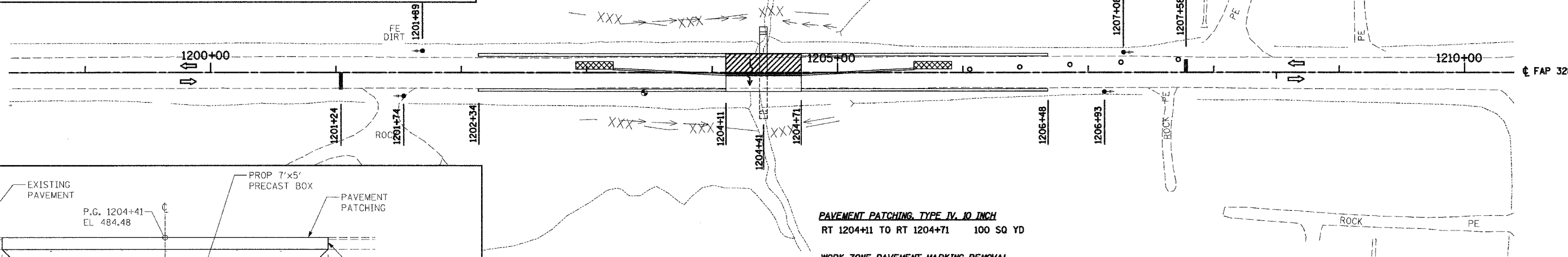
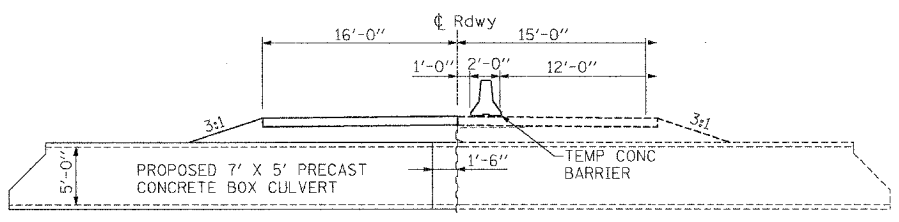
**NOTE:**  
 ALL TRAFFIC CONTROL SHALL BE IN ACCORDANCE WITH STANDARD 701321.

**SUGGESTED SEQUENCE (MAJOR ITEMS NOTED)**  
 CONSTRUCT PCC BASE CSE WIDENING ALONG EAST AND WEST EDGES OF SHLDR. INSTALL TEMPORARY TRAFFIC SIGNALS. INSTALL SHEET PILING (SEE TEMP SHEET PILING DETAIL SHEET). SET TEMPORARY CONCRETE BARRIERS (STD 704001) FOR PHASE 1. CONSTRUCT NEW BOX CULVERT ON WEST SIDE TO 1'-0" WEST OF CENTERLINE. CONSTRUCT GEOTEXTILE RETAINING WALL AND PAVEMENT ON WEST SIDE. SWITCH TRAFFIC TO WEST SIDE. REMOVE SHEET PILING IN PLACE FOR PHASE 1 (SEE PILING DETAIL SHEET). CONSTRUCT REMAINDER OF NEW BOX CULVERT AND PAVEMENT ON EAST SIDE. REMOVE REMAINING STAGING ITEMS. ANY CHANGES TO STAGING SHALL BE APPROVED BY THE ENGINEER.

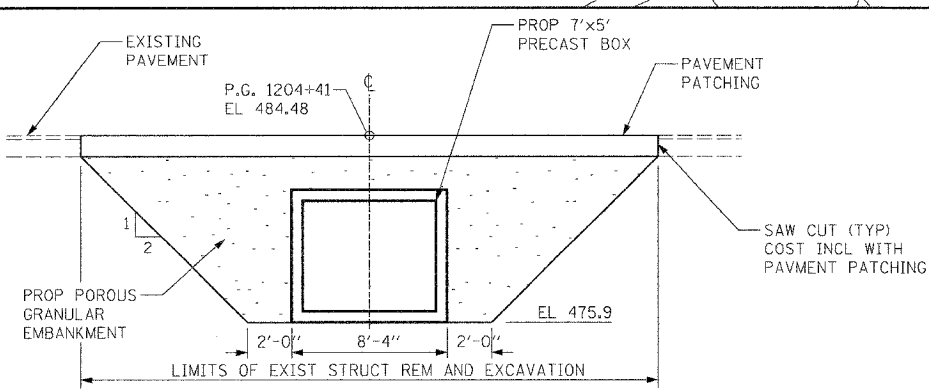


- PCC BASE COURSE WIDENING 6" 2'-0" WIDTH**  
 LT 1202+34 TO LT 1206+48 92 SQ YD  
 RT 1202+34 TO RT 1204+11 39 SQ YD  
 RT 1204+71 TO RT 1206+48 39 SQ YD
- TEMPORARY RUMBLE STRIPS**  
 RT 1184+24 1 EACH LT 1214+58 1 EACH  
 RT 1189+24 1 EACH LT 1219+58 1 EACH  
 RT 1194+24 1 EACH LT 1224+58 1 EACH

# STAGE 1-A (PHASE 2)



- PAVEMENT PATCHING, TYPE IV, 10 INCH**  
 RT 1204+11 TO RT 1204+71 100 SQ YD
- WORK ZONE PAVEMENT MARKING REMOVAL**  
 CL 1203+88 TO 1205+28 47 SQ FT  
 RT 1202+14 TO 1206+68 151 SQ FT
- TEMPORARY PAVEMENT MARKING - LINE 4"**  
 CL 1203+88 TO 1205+28 140 FT  
 RT 1202+14 TO 1206+68 454 FT
- IMPACT ATTENUATORS, RELOCATE (FULLY REDIRECTIVE), TEST LEVEL 3**  
 CL 1203+21 1 EACH  
 CL 1205+61 1 EACH
- RELOCATE TEMPORARY CONCRETE BARRIER (STATE OWNED)**  
 CL 1203+21 TO 1205+61 240 FT



REVISIONS	
NAME	DATE

ILLINOIS DEPARTMENT OF TRANSPORTATION

## STAGE 1 CONSTRUCTION BOX CULVERT STA 1204+41

SCALE: VERT. HORIZ. DATE: 10-21-05

DRAWN BY: IJ  
 CHECKED BY: MAR

