

F. A. RTE.	SECTION	COUNTY	TOTAL SHEETS	SHEET NO.
328	5R, Y, RS-1	CLAY	242	62
STA.		TO STA.		
FED. ROAD DIST. NO.		ILLINOIS	FED. AID PROJECT	
CONTRACT NO. 74078				

500

495

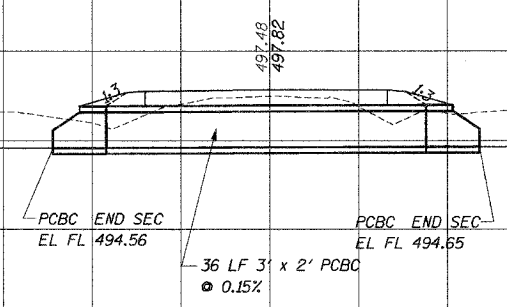
490

500

495

490

CULVERT NO. 12  
9+66.57  
TWP RD 1475N



495

490

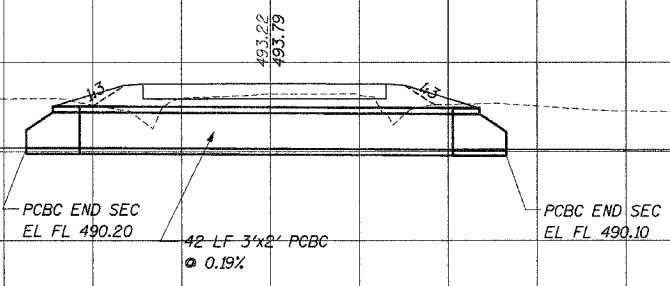
485

495

490

485

CULVERT NO. 13  
9+66.42  
TWP RD 1425N



495

490

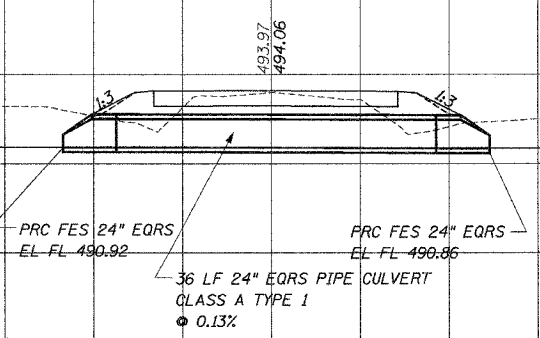
485

495

490

485

10+33.23  
TWP RD 1430N



100

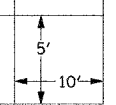
50

0

50

100

150



NOTED  
TEMPLATE  
AREAS CHECKED

NOTED  
TEMPLATE  
AREAS CHECKED