

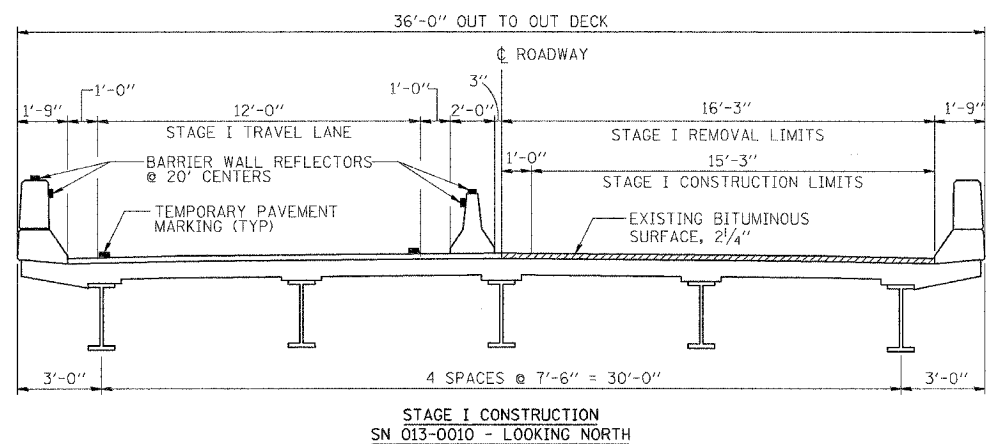
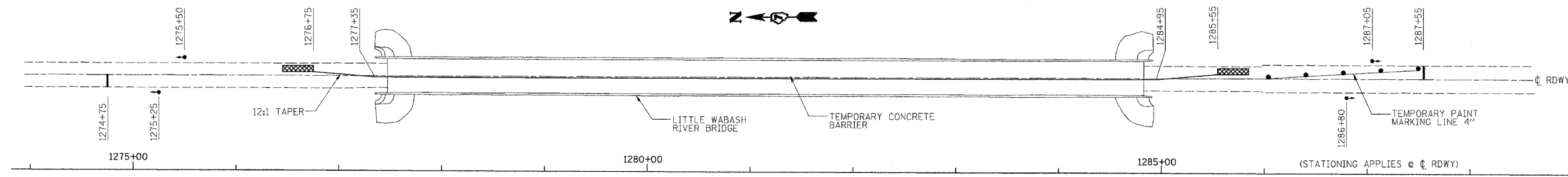
STATE OF ILLINOIS
DEPARTMENT OF TRANSPORTATION

ROUTE NO.	SECTION	COUNTY	SHEET NO.	SHEET TOTAL
F.A.P. 328	5R, Y, RS-1	CLAY	242	64
FED. ROAD DIST. NO. 7		ILLINOIS	FED. AID PROJECT	

CONTRACT NO. 74078

SHEET NO. 2
17 SHEETS

STAGE I



NOTE:
ALL TRAFFIC CONTROL SHALL BE IN ACCORDANCE WITH STANDARD 701321-07

TEMPORARY CONCRETE BARRIER
CL 1276+75 TO 1285+55 880 FT

TEMPORARY RUMBLE STRIPS
RT 1267+75 1 EACH LT 1294+55 1 EACH
RT 1262+75 1 EACH LT 1299+55 1 EACH
RT 1257+75 1 EACH LT 1304+55 1 EACH

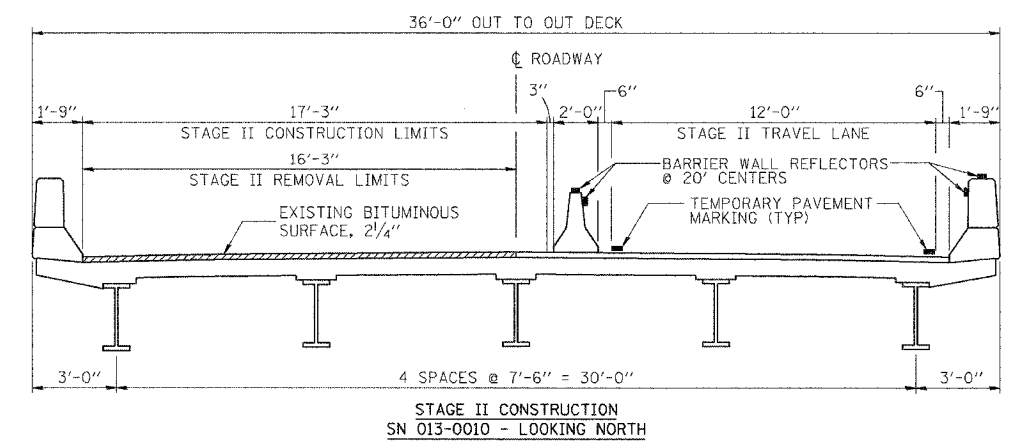
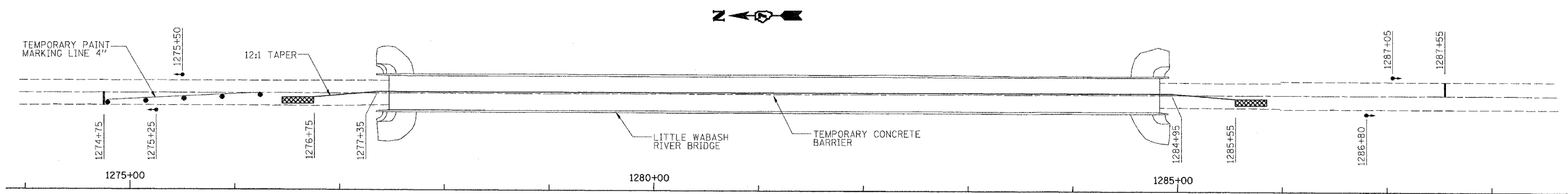
WORK ZONE PAVEMENT MARKING REMOVAL
CL 1274+75 TO 1277+35 22 SQ FT
CL 1284+95 TO 1287+55 22 SQ FT
RT EL 1276+75 TO 1285+55 294 SQ FT

TEMPORARY PAVEMENT MARKING - LINE 4"
CL 1276+75 TO 1287+55 1080 FT
RT EL 1276+75 TO 1285+55 880 FT

TEMPORARY BRIDGE TRAFFIC SIGNALS 1 EACH

- LEGEND**
- TEMPORARY BRIDGE TRAFFIC SIGNAL
 - DRUM WITH STEADY BURNING LIGHT
 - ▨ IMPACT ATTENUATORS, TEMPORARY (FULLY REDIRECTIVE), TEST LEVEL 3

STAGE II



IMPACT ATTENUATORS, RELOCATE (FULLY REDIRECTIVE), TEST LEVEL 3
CL 1276+75 1 EACH
CL 1285+55 1 EACH

RELOCATE TEMPORARY CONCRETE BARRIER
CL 1276+75 TO 1285+55 880 FT

WORK ZONE PAVEMENT MARKING REMOVAL
LT EL 1276+75 TO 1285+55 294 SQ FT

TEMPORARY PAVEMENT MARKING LINE - 4"
CL 1274+75 TO 1285+55 1080 FT
LT EL 1276+75 TO 1285+55 880 FT

- LEGEND**
- TEMPORARY BRIDGE TRAFFIC SIGNAL
 - DRUM WITH STEADY BURNING LIGHT
 - ▨ IMPACT ATTENUATORS, TEMPORARY (FULLY REDIRECTIVE), TEST LEVEL 3

DESIGNED	B.W.P.
CHECKED	R.P.B.
DRAWN	D.J.S.
CHECKED	R.P.B.

STAGE CONSTRUCTION DETAILS
FAP 328 - SECTION 5BR-2
OVER LITTLE WABASH RIVER
CLAY COUNTY
STATION 1281+15
STRUCTURE NO. 013-0010