

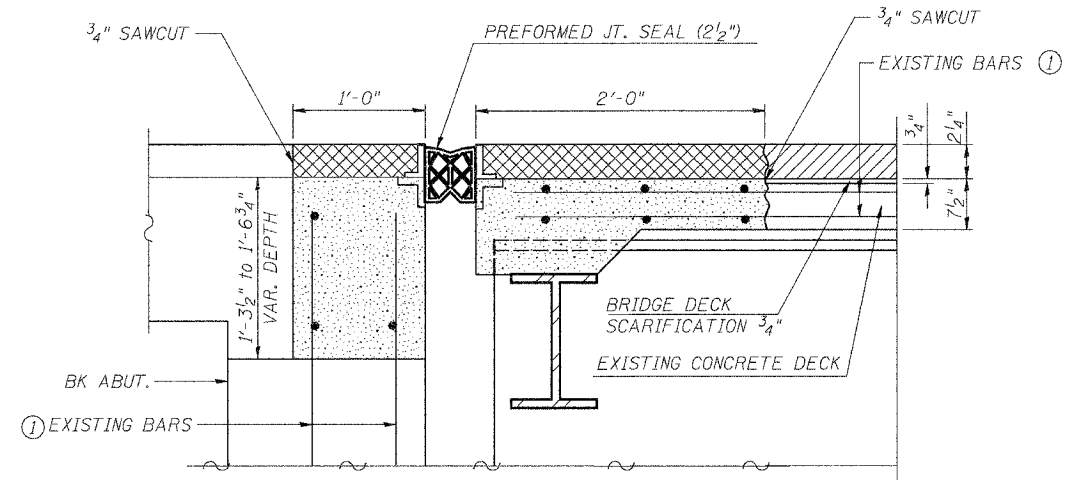
STATE OF ILLINOIS
DEPARTMENT OF TRANSPORTATION

ROUTE NO.	SECTION	COUNTY	TOTAL SHEETS	SHEET NO.	SHEET NO. 6 17 SHEETS
F.A.P. 328	5R,Y,RS-1	CLAY	242	68	
FED. ROAD DIST. NO. 7		ILLINOIS	FED. AID PROJECT-		

CONTRACT NO. T4078

BAR LIST - SOUTH ABUTMENT						
BARS	NUMBER OF BARS		TOTAL	SIZE	LENGTH FOOT	SHAPE
	STAGE 1	STAGE 2				
a(E)	8		8	#5	16'-8"	—
a1(E)		8	8	#5	18'-8"	—
d(E)	3	3	6	#5	2'-11"	┌
d1(E)	3	3	6	#4	4'-2"	└
d2(E)	6	6	12	#5	2'-5"	L
h(E)	3		3	#6	16'-8"	—
h1(E)		3	3	#6	18'-8"	—
x(E)	17	19	36	#5	2'-3"	┌

BILL OF MATERIAL - SOUTH ABUTMENT - SN 013-0010				
ITEM	UNIT	STAGE I	STAGE II	TOTAL
CONCRETE REMOVAL	CU YD	2.8	2.8	5.6
BRIDGE JOINT SYSTEM (EXPANSION), 1"	FOOT	16.50	18.50	35.0
CONCRETE SUPERSTRUCTURE	CU YD	2.6	2.8	5.4
REINFORCEMENT BARS (EPOXY COATED)	POUND	290	320	610
BAR SPLICERS	EACH	11	---	11

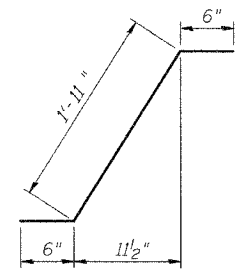


EXISTING SOUTH ABUTMENT
SECTION A-A

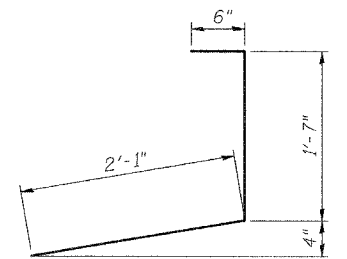
① EXISTING REINFORCEMENT BARS SHALL BE CLEANED, STRAIGHTENED AND INCORPORATED INTO THE NEW CONCRETE

- CONCRETE REMOVAL
- BITUMINOUS CONCRETE REMOVAL
- BITUMINOUS CONCRETE REMOVAL TO BE PAID FOR AS CONCRETE REMOVAL

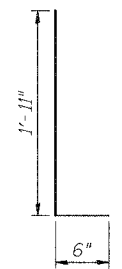
DURING CONCRETE REMOVAL IT WILL BE NECESSARY TO REMOVE A PORTION OF THE ALUMINUM RAIL AND SOME RAIL POSTS. THE ANCHORAGE DEVICES AND BOLTS FOR THE RAIL POSTS SHALL BE SALVAGED FOR REINSTALLATION. AFTER REINSTALLATION, THE BASE OF THE POSTS SHALL BE SEALED WITH A TWO COMPONENT NON-STAINING GRAY SEALING COMPOUND WITH POLYSULFIDE LIQUID POLYMERS-GUN GRADE WITH PRIMER. COST OF REMOVAL AND REINSTALLATION OF RAILING IS INCLUDED WITH CONCRETE REMOVAL.



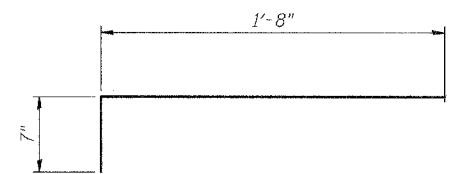
BAR d(E)



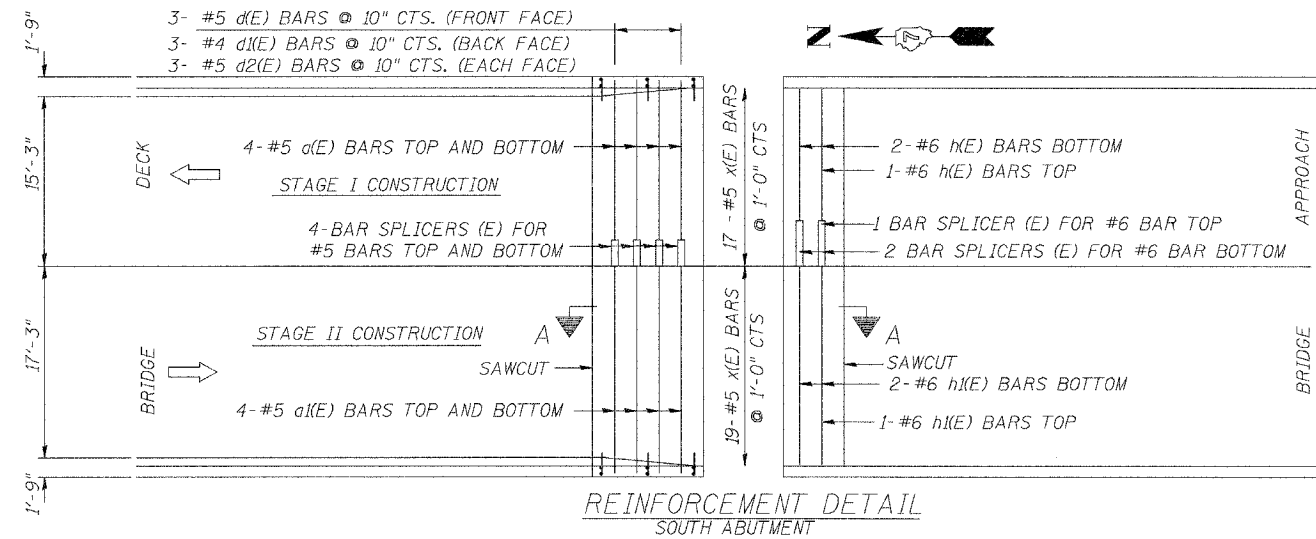
BAR d1(E)



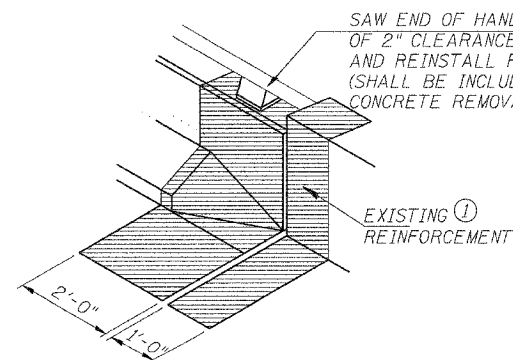
BAR d2(E)



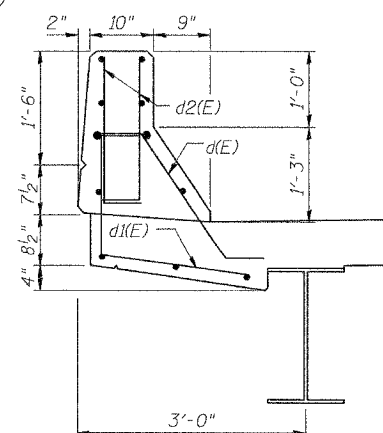
BAR x(E)



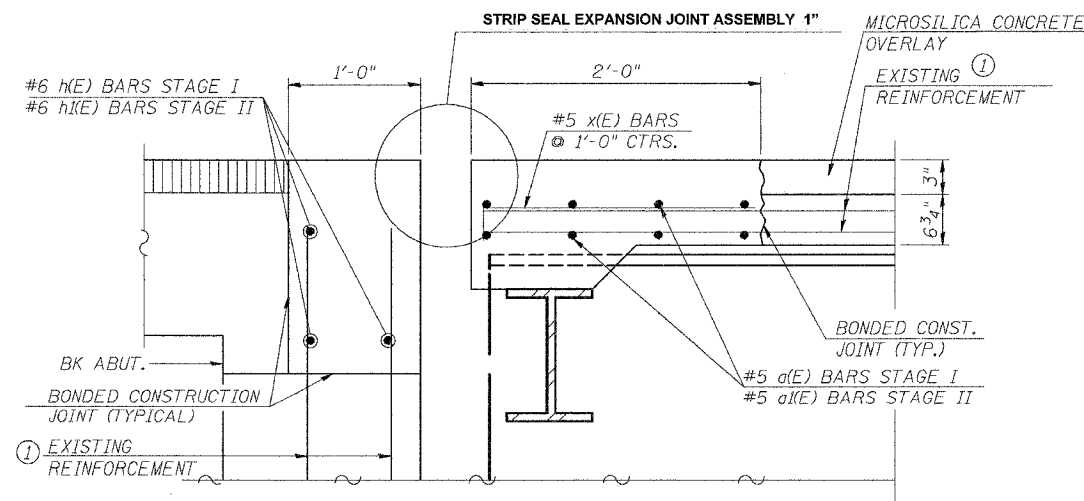
REINFORCEMENT DETAIL
SOUTH ABUTMENT



TYPICAL CONCRETE REPLACEMENT
AT SOUTH ABUTMENT



PARAPET DETAIL



PROPOSED SOUTH ABUTMENT
SECTION A-A

For Bar Splicer details see sheet 10 of 17
For Bridge Joint System details see sheets 11 and 12 of 17

EXPANSION JOINT DETAILS
SOUTH ABUTMENT
FAP 328 - SECTION 5BR-2
OVER LITTLE WABASH RIVER
CLAY COUNTY
STATION 1281+15
STRUCTURE NO. 013-0010

DESIGNED	B.W.P.
CHECKED	R.P.B.
DRAWN	D.J.S.
CHECKED	R.P.B.