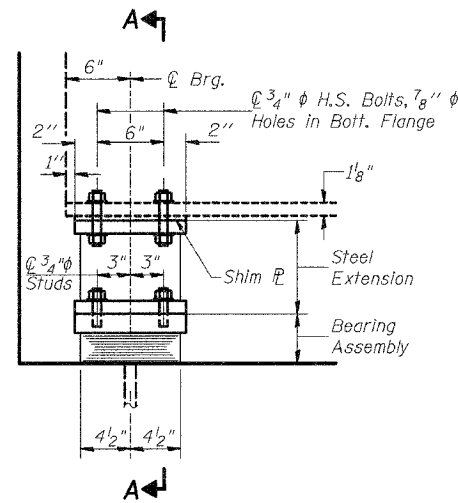
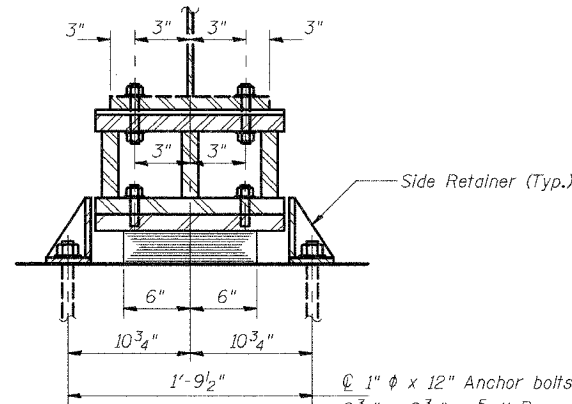


STATE OF ILLINOIS  
DEPARTMENT OF TRANSPORTATION

ROUTE NO.	SECTION	COUNTY	POSTMILES	SHEET	SHEET NO. 8
F.A.P. 328	5BR, Y, RS-1	CLAY	242	70	17 SHEETS
FED. ROAD DIST. NO. 7		ILLINOIS	FED. AID PROJECT-		
CONTRACT NO. 74078					



ELEVATION AT S. ABUT.



SECTION A-A

1"  $\phi$  x 12" Anchor bolts with  
2 3/4" x 2 3/4" x 5/16"  $\square$  washer under nut

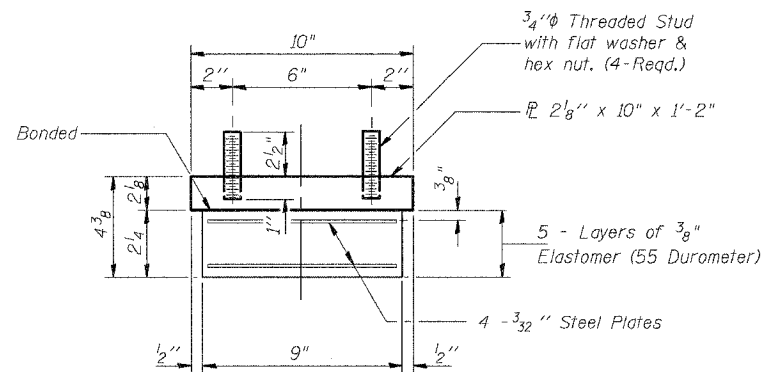
Notes:

Diaphragm removal and reinstallation may be required to facilitate drilling holes. Cost shall be included in the cost of "Furnishing and Erecting Structural Steel".

New steel extensions, side retainers, shim  $\square$ 's, connection bolts, and anchor bolts are included in "Furnishing and Erecting Structural Steel".

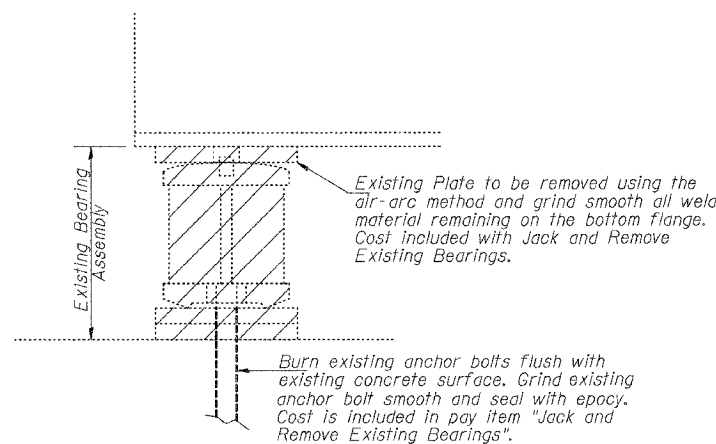
See Sheet 9 of 17 for Anchor Bolt installation  
Prior to ordering any material, the Contractor shall verify in the field all bearing height and shim thickness dimensions.  
Min. jack capacity = 46 tons

TYPE I ELASTOMERIC EXP. BRG.

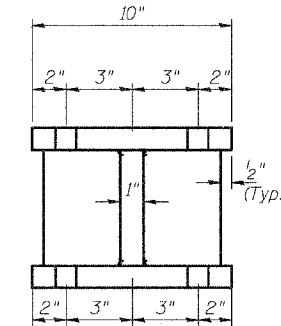


BEARING ASSEMBLY

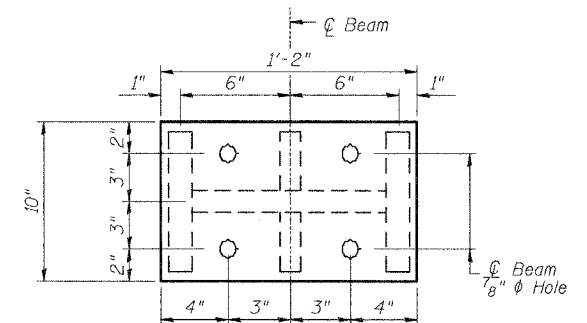
Note: Shim plates shall not be placed under Bearing Assembly.



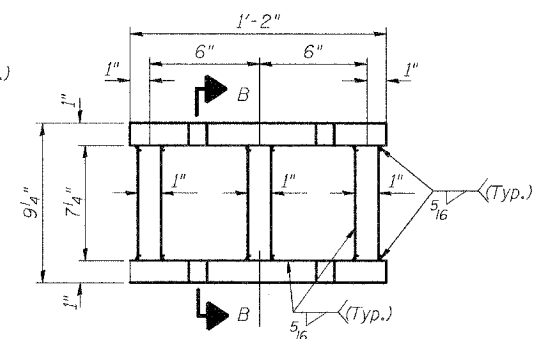
EXISTING BEARING REMOVAL DETAIL



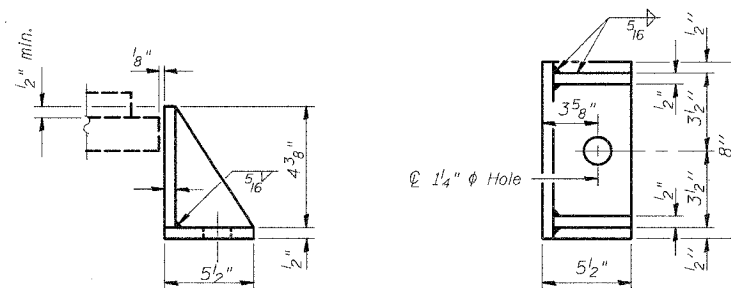
SECTION B-B



PLAN STEEL EXTENSION



ELEVATION STEEL EXTENSION



SIDE RETAINER

Equivalent rolled angle with stiffeners will be allowed in lieu of welded plates. Weight included with Structural Steel.

BILL OF MATERIAL

Item	Unit	Total
Elastomeric Bearing Assembly Type I	Each	5
Furnish & Erect Structural Steel	Lbs.	970
Jack & Remove Exist. Bearing	Each	5

DESIGNED	B.W.P.
CHECKED	R.P.B.
DRAWN	D.J.S.
CHECKED	R.P.B.

I-2-E1 4-30-99

ELASTOMERIC BEARING, TYPE I  
SOUTH ABUTMENT  
FAP 328 - SECTION 5BR-2  
OVER LITTLE WABASH RIVER  
CLAY COUNTY  
STATION 1281+15  
STRUCTURE NO. 013-0010