

STATE OF ILLINOIS
DEPARTMENT OF TRANSPORTATION

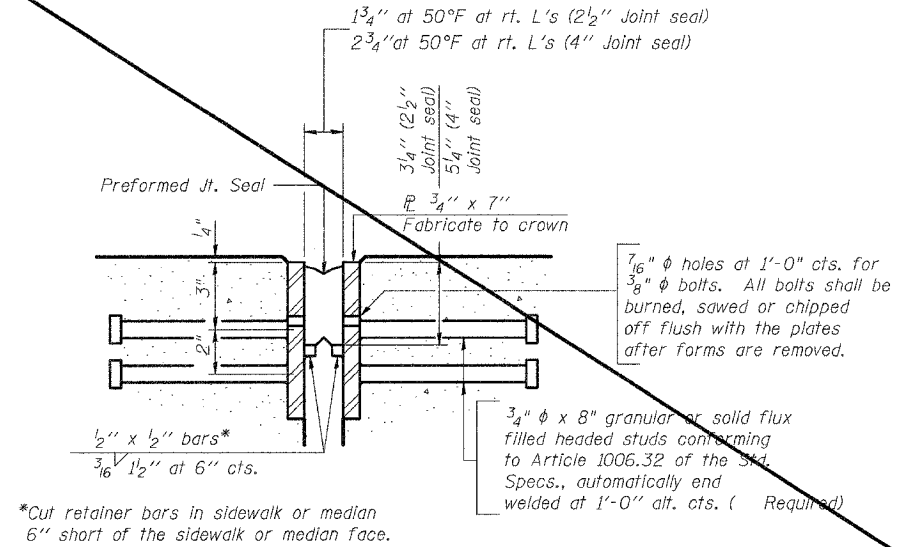
ROUTE NO.	SECTION	COUNTY	POSTMILES	SHEET NO.	SHEET NO. OF SHEETS
F.A.P. 328	BR.V.RS-1	CLAY	242	73	17
FED. ROAD DIST. NO. 7		ILLINOIS	FED. AID PROJECT-		

CONTRACT NO. 74078

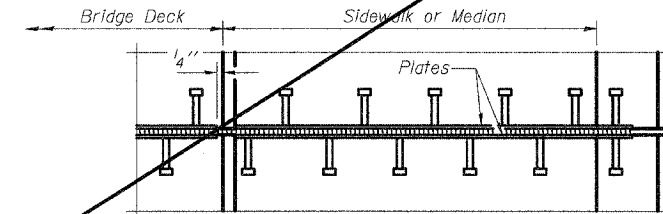
Bridge Joint System (Expansion)		
Design Movement	Required Preformed Joint Seal Size	Required Strip Seal Rated movement
1"	2 1/2"	1"
1 5/8"	4"	2"

GENERAL NOTES

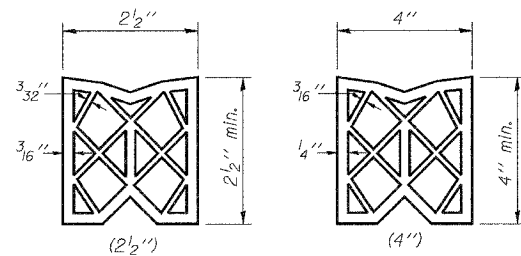
Furnish steel plates in segments of 20 feet maximum length. Maximum space between installed segments shall be 3/16". Seal space with silicone sealant suitable for structural steel.



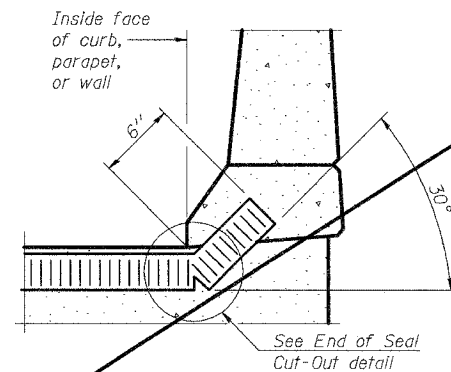
SECTION THRU EXPANSION JOINT
(2 1/2" and 4" joint seals)



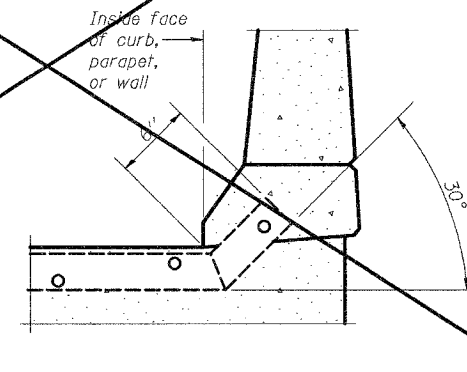
PLAN AT SIDEWALK OR MEDIAN



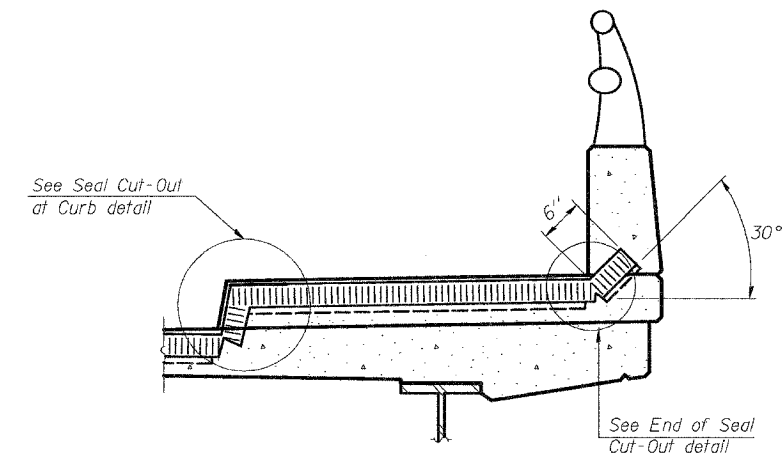
PREFORMED JOINT SEAL



AT CURB, PARAPET, OR WALL
(Showing seal)



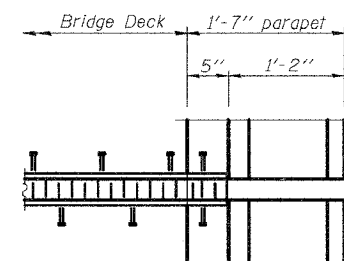
AT CURB, PARAPET, OR WALL
(Showing plate)



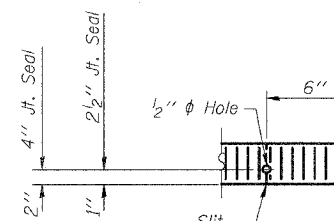
AT SIDEWALK OR MEDIAN*
(Showing plate and seal)

* Shorter plates with a single row of studs at 12" centers may be necessary on medians which are shallower than 9". See manufacturer's recommendation.

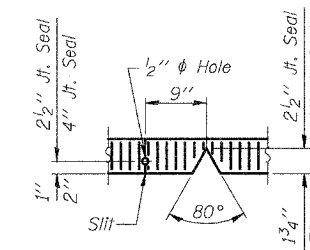
TYPICAL END TREATMENTS



PLAN AT PARAPET



END OF SEAL CUT-OUT



SEAL CUT-OUT AT CURB

DESIGNED - B.W.P.	20
CHECKED - R.P.B.	EXAMINED
DRAWN - D.J.S.	ENGINEER OF BRIDGE DESIGN
CHECKED - R.P.B.	PASSED
EJ-BJS 9-01-03	ENGINEER OF BRIDGES AND STRUCTURES

(Sheet 1 of 2)
BRIDGE JOINT SYSTEM - EXPANSION
(PREFORMED JOINT SEAL)
FAP 328 - SECTION 5BR-2
OVER LITTLE WABASH RIVER
CLAY COUNTY
STATION 1281+15
STRUCTURE NO. 013-0010