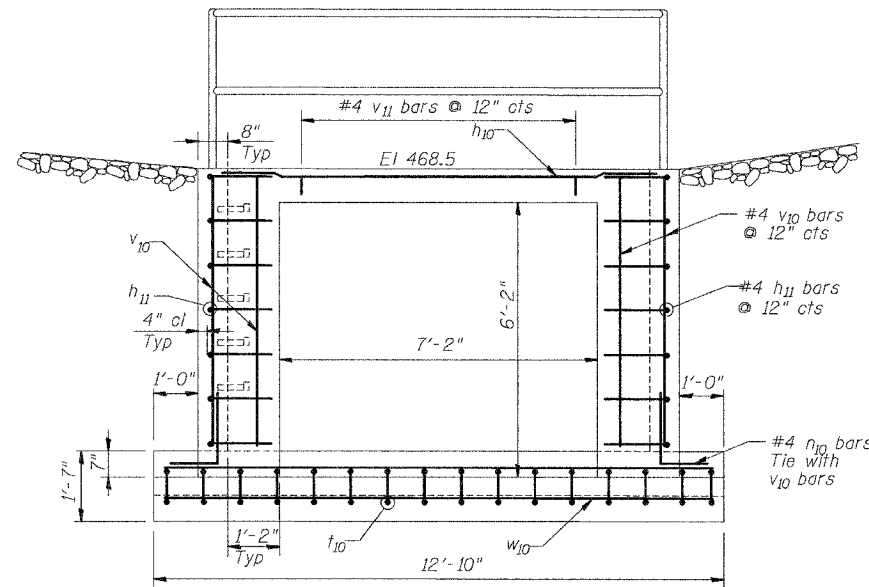


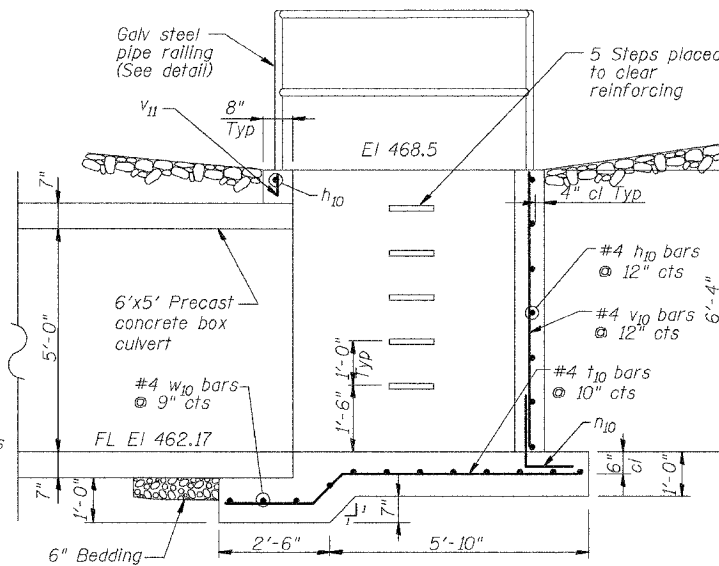
STATE OF ILLINOIS
DEPARTMENT OF TRANSPORTATION

FAP RTE	SECTION	COUNTY	TOTAL SHEETS	SHEET NO
328	5R, Y, RS-1	CLAY	242	89
STA	TO STA		ILLINOIS US 45	

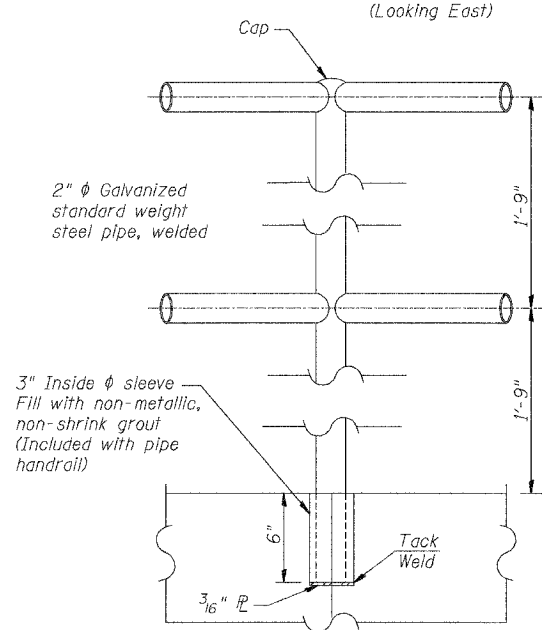
CONTRACT NO. 74078



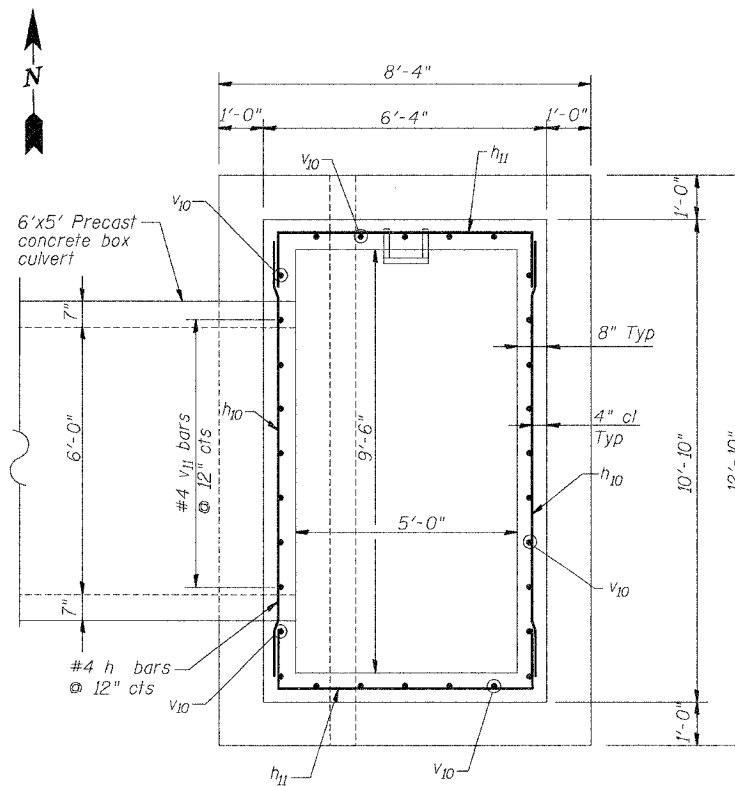
ELEVATION
(Looking East)



ELEVATION
(Looking North)

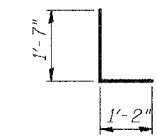


PIPE RAILING DETAIL

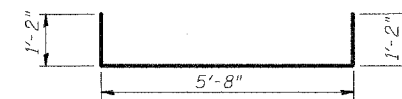


PLAN

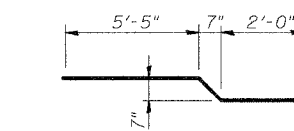
BAR LAP
#4 - 1'-1"



BAR n10



BAR h11



BAR t10

GENERAL NOTES

Class SI Concrete shall be used throughout.

Reinforcement shall conform to the requirements of AASHTO M-31 or M-53 Grade 60.

Exposed edges shall be chamfered 3/4"

Steps shall be Gray Cast Iron conforming to the requirements of Standard 602701. Steps will not be paid for separately but will be considered as included in the contract unit price per cubic yard for Class SI Concrete and no additional compensation will be allowed.

Steps shall be embedded into the wall a minimum of 3 inches. Steps shall not be extended on the outside.

Steel pipe shall conform to the requirements of ASTM A-120.

All posts, railing, & sleeves shall be galvanized after shop fabrication in accordance with AASHTO M-111 and ASTM A-385.

Galvanized material shall not be painted.

Place 1 - 3" ϕ weep hole on the north, south, and east walls, 1' up from flow line elevation.

BILL OF MATERIAL

Bar	No.	Size	Length	Shape
n10	9	#4	10'-0"	┌───┐
h11	14	#4	8'-0"	┌───┐
n10	24	#4	2'-9"	└───┘
t10	16	#4	8'-1"	└───┘
v10	24	#4	6'-2"	───
v11	6	#4	0'-5"	───
w10	12	#4	12'-6"	───
Class SI Concrete			Cu Yd	7.9
Reinforcing Bars			Lb	470
Pipe Handrail			Foot	32

SPECIAL DROP INLET #1
FAP 328 (US 45)
CLAY COUNTY STA 1221+20

HR HURST-ROSCHKE ENGINEERS, INC.
CONSULTING ENGINEERS & ARCHITECTS
1400 E. TREMONT ST.
HILLSBORO, ILLINOIS 62049

DESIGNED	JLG
CHECKED	GEP
DRAWN	BAD
CHECKED	JLG