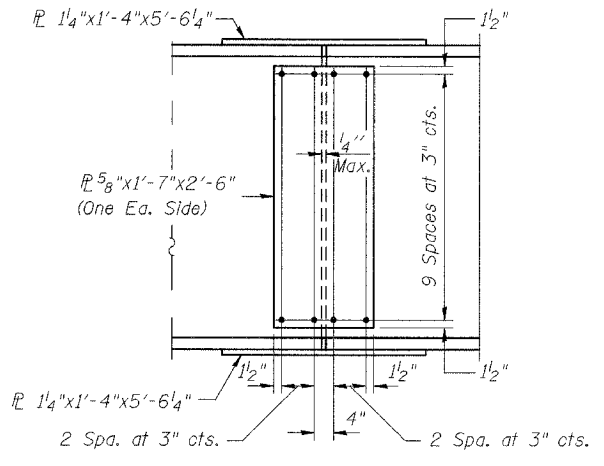
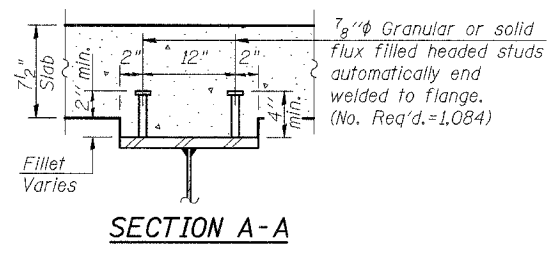


(Note: All splice plates are curved to match girder curvature.)



FIELD SPICE DETAIL
(Splices 5 & 6)

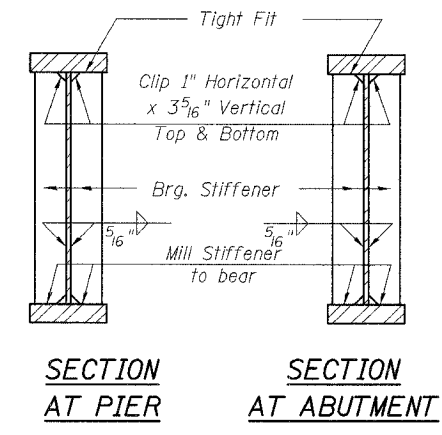


GIRDER DIMENSIONS (Feet)

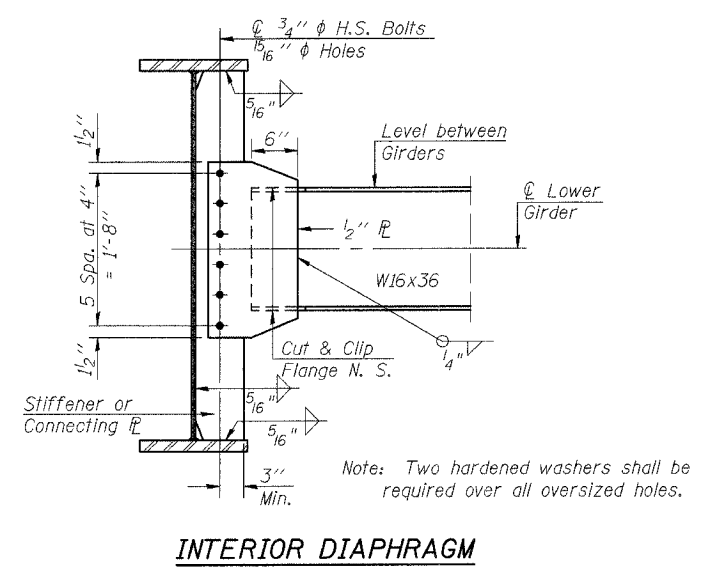
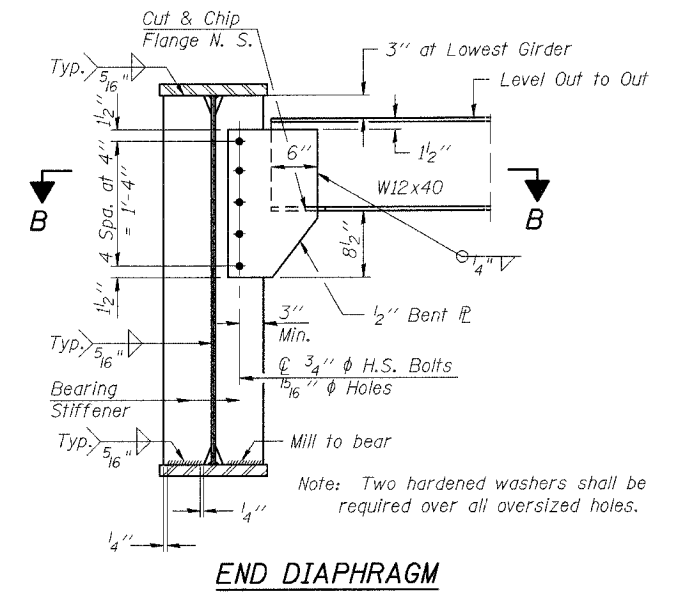
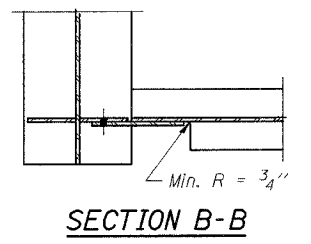
Girder	Radius	a	b	c	d	e	L ₁	L ₂	L ₃	L
1	154.25	60.92	16.34	45.48	16.34	60.92	60.92	78.16	60.92	200.00
2	145.75	57.56	15.44	42.97	15.44	57.56	57.56	73.85	57.56	188.97

LAYOUT DIMENSIONS (Feet)

Girder	Pier 5		Pier 6		Splice 5		Splice 6		Pier 7		Pier 8	
	x	y	x	y	x	y	x	y	x	y	x	y
1	23.70	31.29	1.27	4.92	0.25	1.67	0.25	1.67	1.27	4.92	23.71	31.29
2	22.40	29.57	1.20	4.65	0.23	1.58	0.23	1.58	1.20	4.65	22.40	29.57



- Notes:
- For Girder Details See Sheet No. S15
 - All diaphragms, splice plates, connection plates and angles shall comply with N.T.R.



PREPARED FOR:
WHEATON PARK DISTRICT
666 S. MAIN STREET
WHEATON, ILLINOIS 60187



PREPARED BY:
CEMCON, Ltd.
Consulting Engineers, Land Surveyors & Planners
2280 White Oak Circle, Suite 100
Aurora, Illinois 60504-9675
Ph: 630.862.2100 Fax: 630.862.2199
E-Mail: cadd@cemcon.com Website: www.cemcon.com

NO.		DATE		DESCRIPTION	

INDEX OF BRIDGE SHEETS
SHEET S13 OF S29
Copyright © 2003 Cemcon, Ltd. All rights reserved.

STEEL FRAMING LAYOUT PLAN - SHEET 2 OF 2
PEDESTRIAN/BICYCLE PATH BRIDGE OVER UNION PACIFIC RAILROAD

FILE NAME: FRAMING	DSGN. BY: MMH	JOB NO.: 551007	FLD. BK./PG.: -----	SHEET NO. 26 of 54
DISC. NUMBER: 551007	DRN. BY: RDS	DATE: 04-26-04	SCALE: -----	