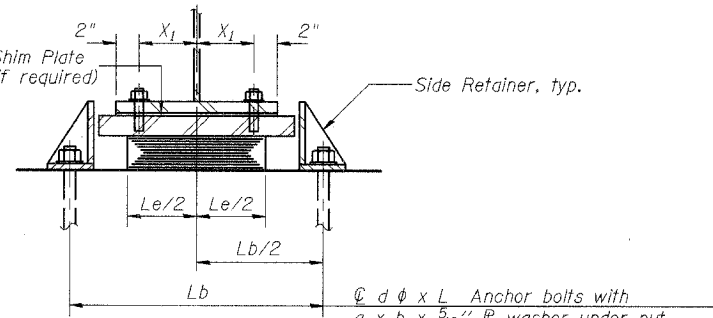
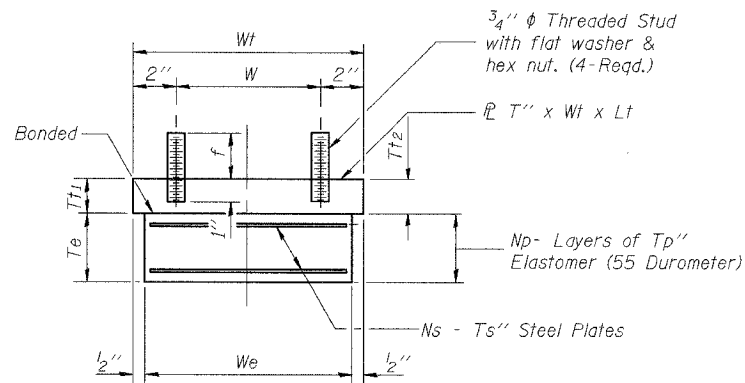


ELEVATION



SECTION A-A

TYPE I ELASTOMERIC EXP. BRG.



BEARING ASSEMBLY

Note: Shim plates shall not be placed under Bearing Assembly.

NOTES:

- All dimensions in tables are in inch units unless otherwise noted.
- For details of Type III and Fixed Bearings see sheet S17.

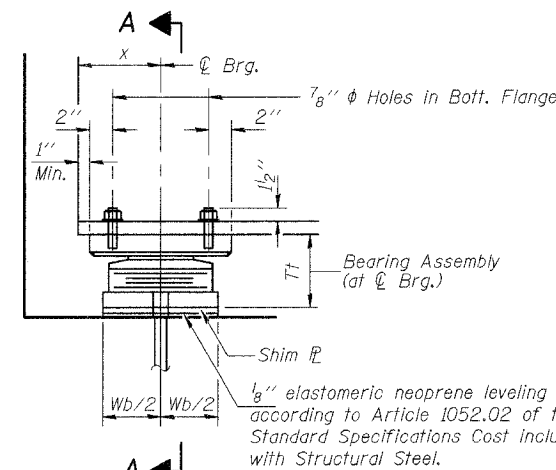
BILL OF MATERIAL

Item	Unit	Total
Elastomeric Bearing Assembly Type I	Each	12
Elastomeric Bearing Assembly Type II	Each	4
Elastomeric Bearing Assembly Type III	Each	4

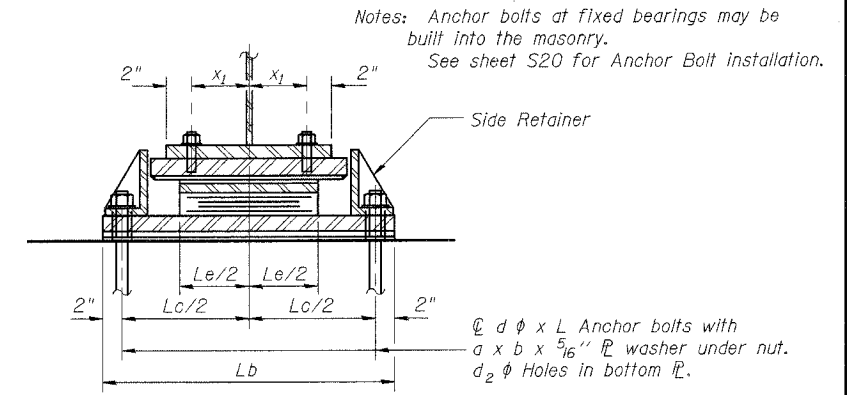
ELASTOMERIC EXPANSION BEARING ASSEMBLIES TYPE I & TYPE II
TABLE OF DIMENSIONS

Location	Type	No.	We	Le	Tp	Np	Ts	Ns	Tb	Wt	W	Lt	T	Tt1	Tt2	Tt	f
Pier 1 & Pier 3	I	4	12	18	9/16	6	3/16	5	4 5/16	13	9	20	3	3	3	7 5/16	2 11/16
Pier 5N	I	2	7	12	3/8	5	3/32	4	2 1/4	8	4	16	Varies	2 1/4	2	4 3/8	3 1/4
Pier 7	I	2	12	18	9/16	7	3/16	6	5 1/16	13	9	20	3	3	3	8 1/16	3 1/4
Pier 8N *	I	2	6	10	5/16	6	14 ga.	5	2 1/4	7	3	12	2	2	2	4 1/4	2 9/16
Pier 10	I	2	11	16	1/2	7	1/8	6	4 1/4	12	8	18	3	3	3	7 1/4	2 9/16
Pier 8S	II	2	7	12	3/8	5	3/32	4	3 1/8	8 5/8	4 5/8	16	Varies	2 5/16	2	5 5/16	3
N. Abut.	II	2	7	10	5/16	6	14 ga.	5	3 1/8	7 3/4	3 3/4	12	Varies	2 1/4	2	5 1/4	2 5/16

Location	a	b	d	L	x	x1	t	y	z	d1	h	A	Tb	Wb	Ld	Lc	d2
Pier 1 & Pier 3	3	3	1 1/2	18	-	4	5/8	2 3/4	5 1/2	1 3/4	7 1/4	-	-	-	25 3/4	-	-
Pier 5N	2 1/4	2 1/4	1	12	5 1/2	4	1/2	2 1/8	4	1 1/4	4 1/2	-	-	-	20 1/2	-	-
Pier 7	3	3	1 1/2	18	-	4	5/8	2 3/4	5 1/2	1 3/4	8	-	-	-	25 3/4	-	-
Pier 8N *	2 1/4	2 1/4	1	12	5 1/2	4	1/2	2 1/8	4	1 1/4	4 1/4	-	-	-	16 1/2	-	-
Pier 10	2 3/4	2 3/4	1 1/4	15	-	4	1/2	2 3/8	4 3/4	1 1/2	7 1/4	-	-	-	23	-	-
Pier 8S	2 1/4	2 1/4	1	12	7	4	1/2	2 1/8	4	1 1/4	5 1/2	1	2	8	24 1/2	20 1/2	1 1/2
N. Abut.	2 1/4	2 1/4	1	12	5 1/2	4	1/2	2 1/8	4	1 1/4	5 1/2	1	1 1/2	7	20 1/2	16 1/2	1 1/2

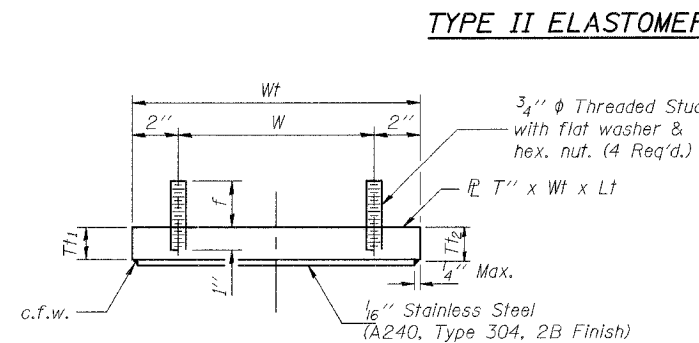


ELEVATION AT N. ABUT. AND PIER 8 S.

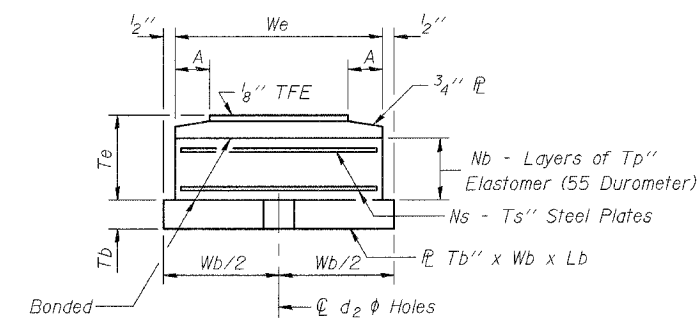


SECTION A-A

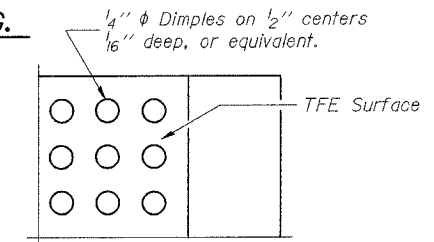
TYPE II ELASTOMERIC EXP. BRG.



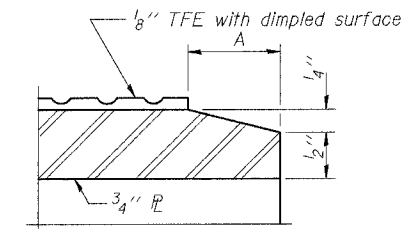
TOP BEARING ASSEMBLY



BOTTOM BEARING ASSEMBLY



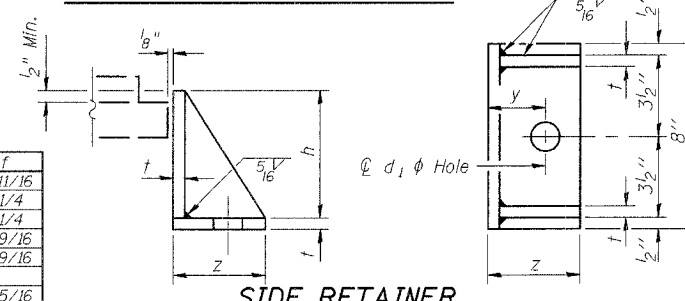
PLAN-TFE SURFACE



SECTION THRU TFE

Note: The 1/8" TFE sheet shall be bonded directly to the top steel plate with a two-component, medium viscosity epoxy resin, conforming to the requirements of the Federal Specification MMM-A-134, Type I. The bond agent shall be applied on the full area of the contact surfaces.

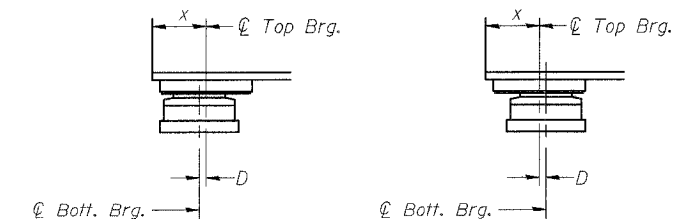
Bonding of 1/8" TFE sheet during vulcanizing process will be permitted provided the process and method of adjusting assembly height is approved by the Engineer.



SIDE RETAINER

Equivalent rolled angle with stiffeners will be allowed in lieu of welded plates. Weight included with Structural Steel.

* 7/8" Thick shim plate required.



BELOW 50°F.

ABOVE 50°F.

(Move bott. brg. away from fixed brg.) (Move bott. brg. toward fixed brg.)

SETTING ANCHOR BOLTS AT EXP. BRG.

D=1/8" per each 100' of expansion for every 15° temp. change from the normal temp. of 50°F.

INDEX OF BRIDGE SHEETS
SHEET S16 OF S29
Copyright © 2003 Cemcon, Ltd. All rights reserved.

BEARING DETAILS TYPE I & TYPE II

PEDESTRIAN/BICYCLE PATH BRIDGE OVER UNION PACIFIC RAILROAD

FILE NAME: BEARINGS	DSGN. BY: MMH	JOB NO.: 551007	FLD. BK./PG.: ----	SHEET NO.
DISC. NUMBER: 551007	DRN. BY: RDS	DATE: 04-26-04	SCALE: ----	29 of 54



REVISIONS					
NO.	DATE	DESCRIPTION	NO.	DATE	DESCRIPTION