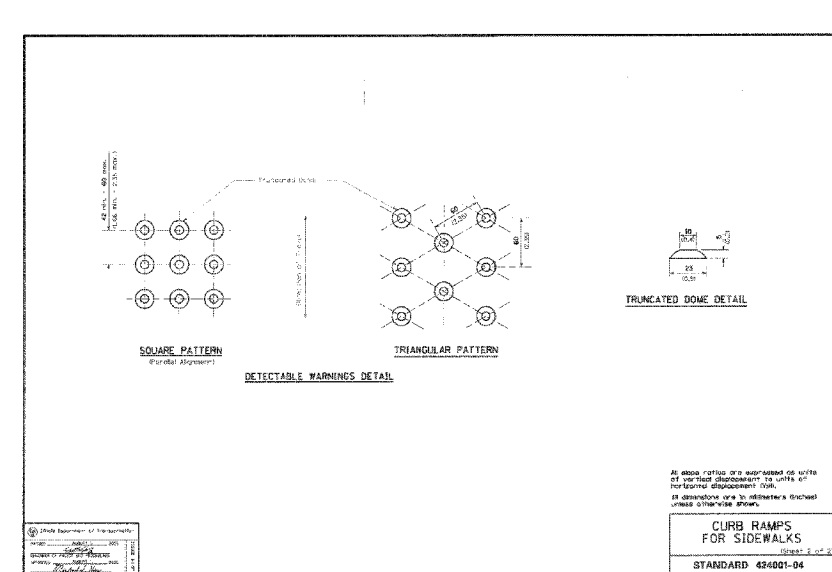
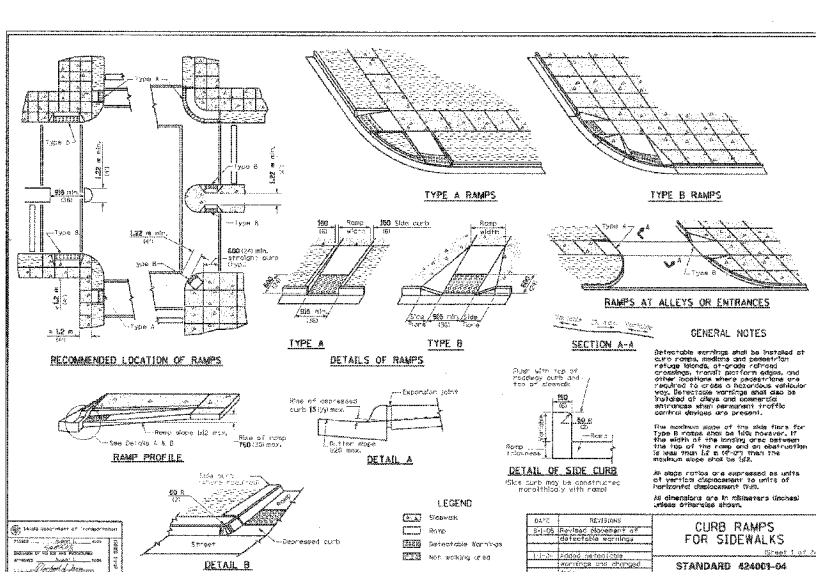
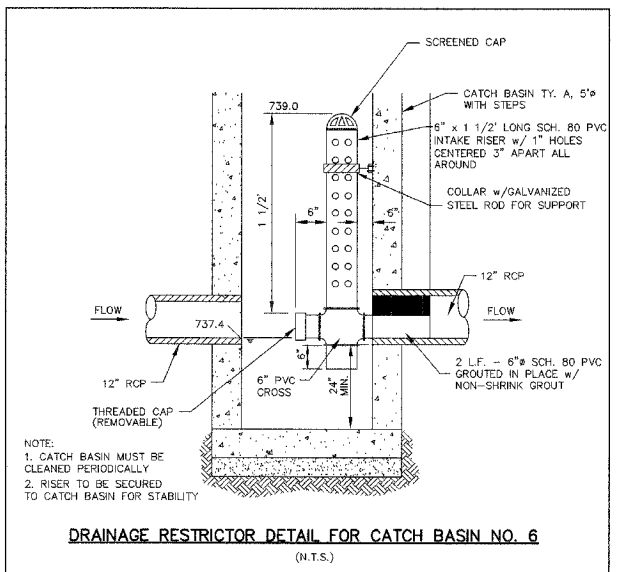
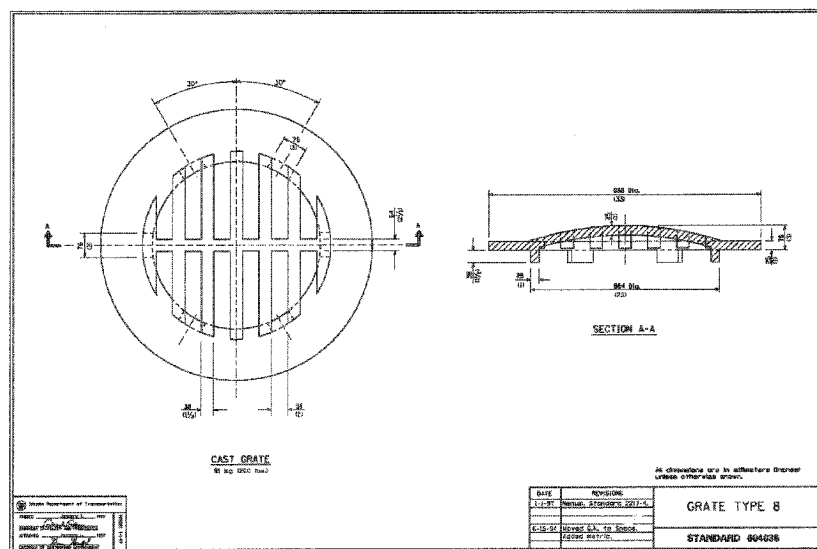
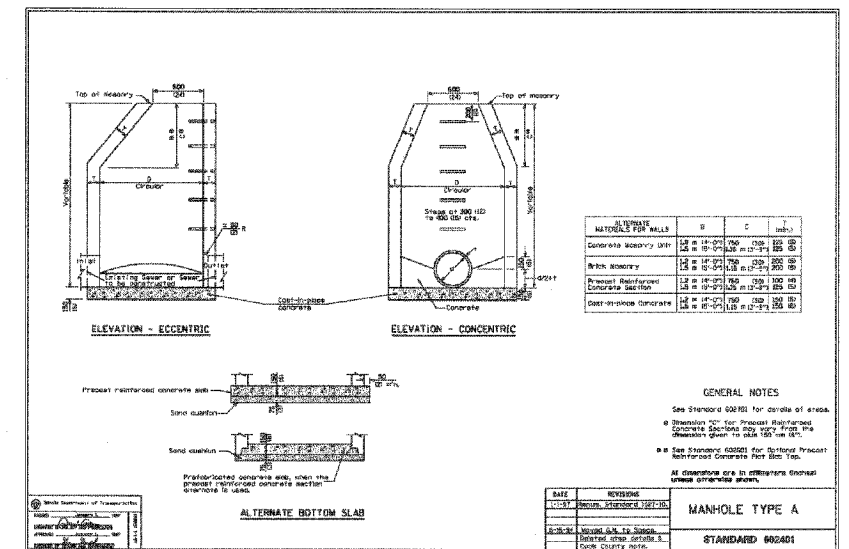
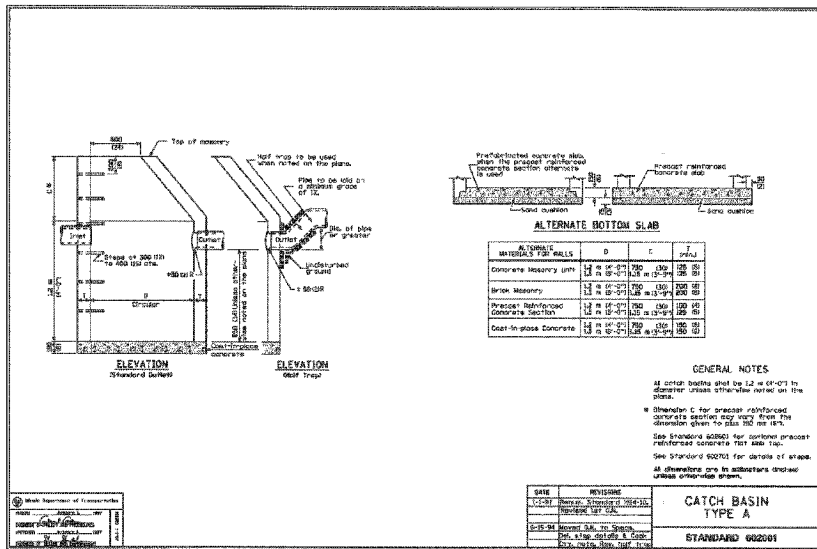
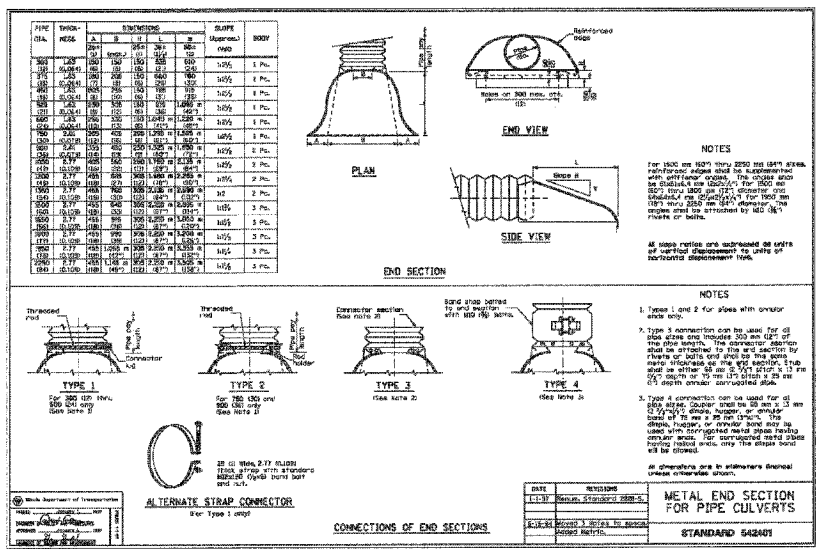
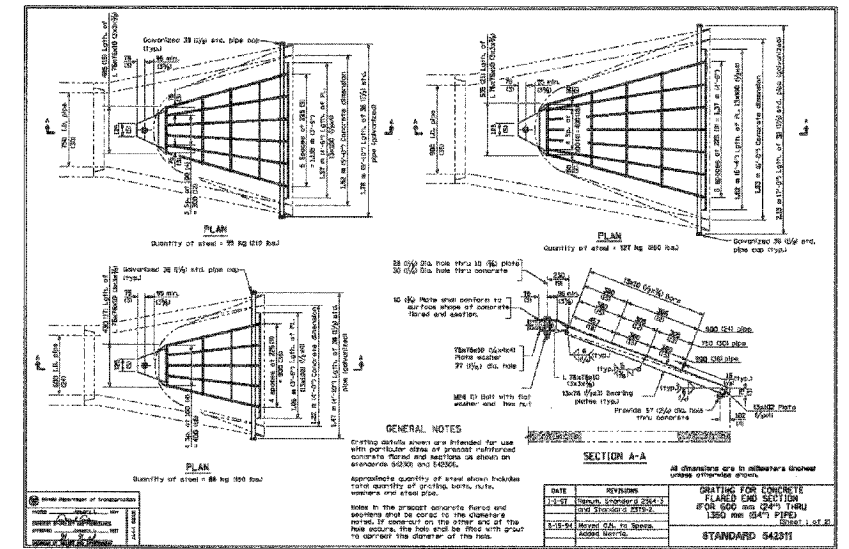
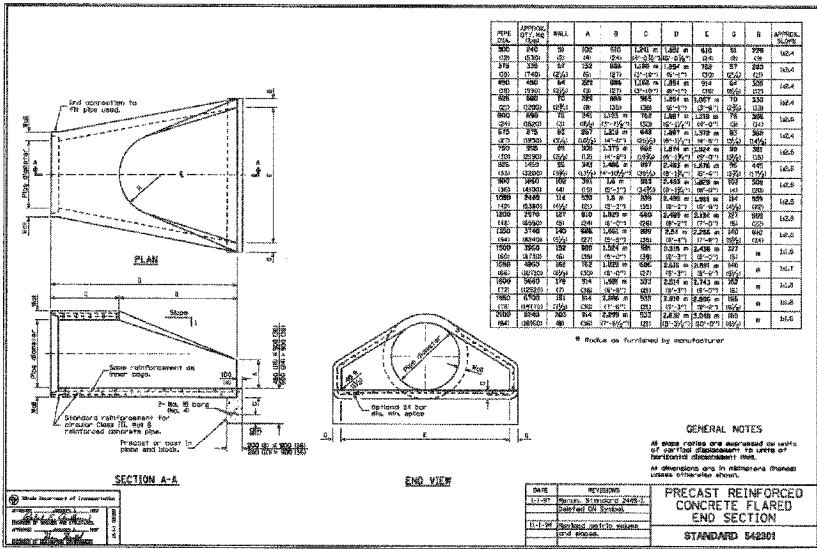
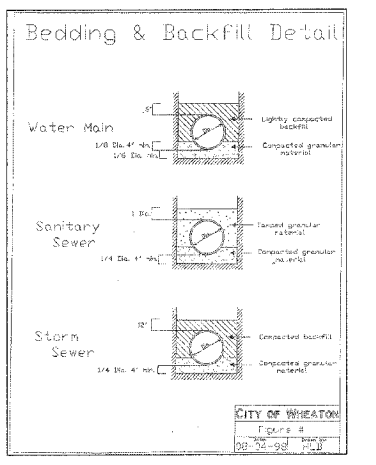


CONTRACT NO. 83560



PREPARED FOR:  
WHEATON PARK DISTRICT  
666 S. MAIN STREET  
WHEATON, ILLINOIS 60187



PREPARED BY:  
**CEMCON, Ltd.**  
Consulting Engineers, Land Surveyors & Planners  
2280 White Oak Circle, Suite 100  
Aurora, Illinois 60504-9675  
Ph: 630.862.2100 Fax: 630.862.2199  
E-Mail: cadd@cemcon.com Website: www.cemcon.com

NO.		DATE		DESCRIPTION	NO.		DATE		DESCRIPTION

<b>CONSTRUCTION DETAILS</b>				
<b>PEDESTRIAN/BICYCLE PATH BRIDGE OVER UNION PACIFIC RAILROAD</b>				
FILE NAME: DETAILS	DSGN. BY: MMH	JOB NO.: 551.007	FLD. BK./PG.: -----	SHEET NO. 54 of 54
DISC. NUMBER: 551007	DRN. BY: DMC	DATE: 04-26-04	SCALE: 1" = -----	