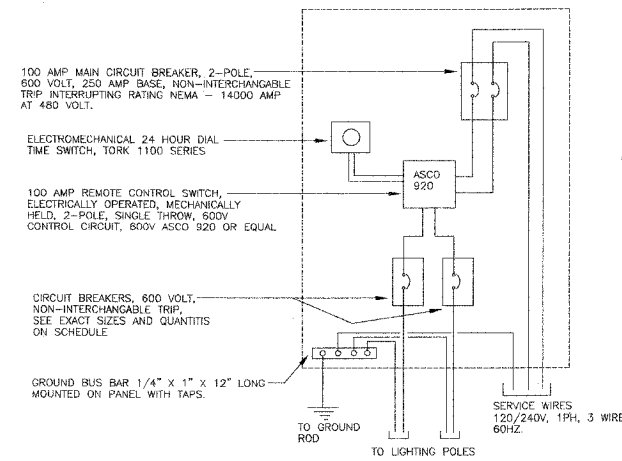


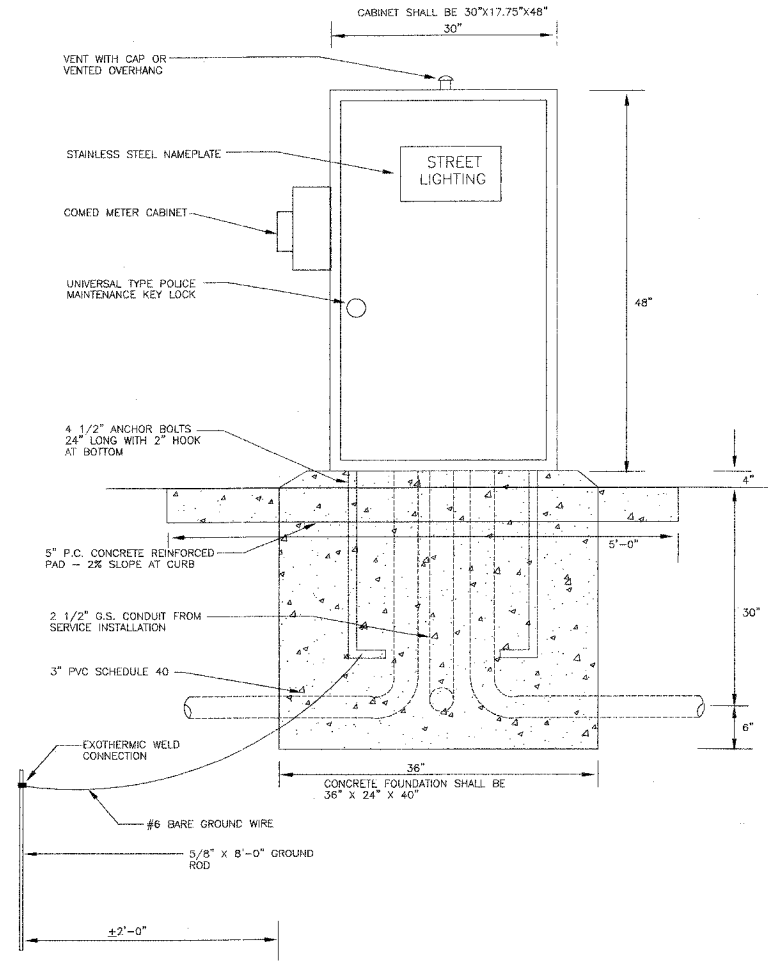
F.A. OFF	SECTION	COUNTY	TOTAL SHEETS	SHEET NO.
01-00236-00-BR	COOK	18	16	
STA.	TO STA.			
FED. ROAD DIST. NO.	ILLINOIS	FED. AID PROJECT		

CONTRACT 83817

CABINET/LOCATION	VOLTAGE	BRANCH BREAKER	CONTROLLED BY
C1	120/240V, 1PH, 3W	(2) 30A/2P LIGHTING (E&W) 240V	TORK 1100 SERIES
		(1) 20A/1P OUTLETS 120V	ON ALWAYS
		(1) 20A/1P FLASHING BEACON	ON ALWAYS
		(1) 30A/2P LIGHTING BRIDGE 240V	TORK 1100 SERIES



2 CONTROLLER WIRING DIAGRAM
N.T.S.



1 STREET LIGHTING CONTROL CABINET
N.T.S.

PLOT DATE = #DATE
PLOT SCALE = #SCALE
REFERENCE = #REF

REVISIONS		ILLINOIS DEPARTMENT OF TRANSPORTATION HOME AVE PEDESTRAIN BRIDGE IMPROVEMENT HOME AVE AND HARRISON STREET PROPOSED LIGHTING PLAN
NAME	DATE	

SCALE: VERT. DRAWN BY FG
 HORIZ. CHECKED BY SC
DATE 07/21/05