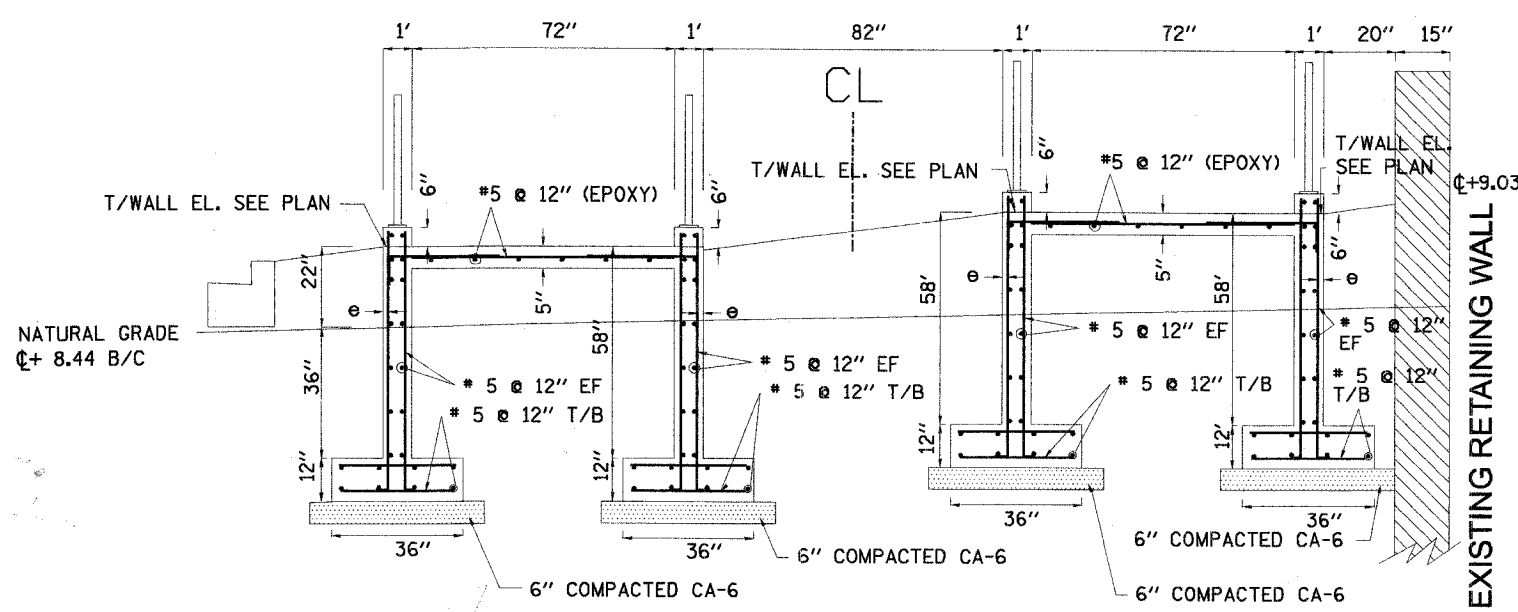
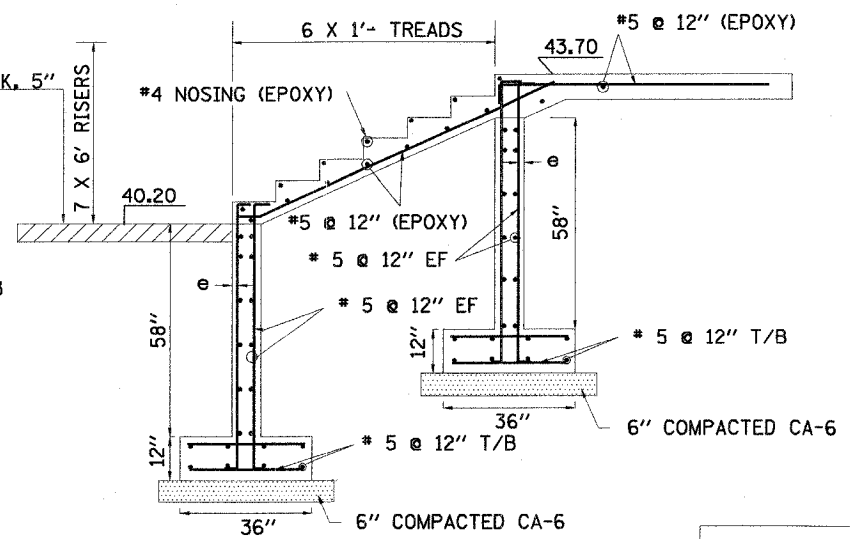


F.A. SHEETS	SECTION	COUNTY	TOTAL SHEETS	SHEET NO.
DO-00236-00 BR	COOK	18	18	
STA.	TO STA.			
FED. ROAD DIST. NO.	ILLINOIS FED. AID PROJECT			
CONTRACT NO. 83817				

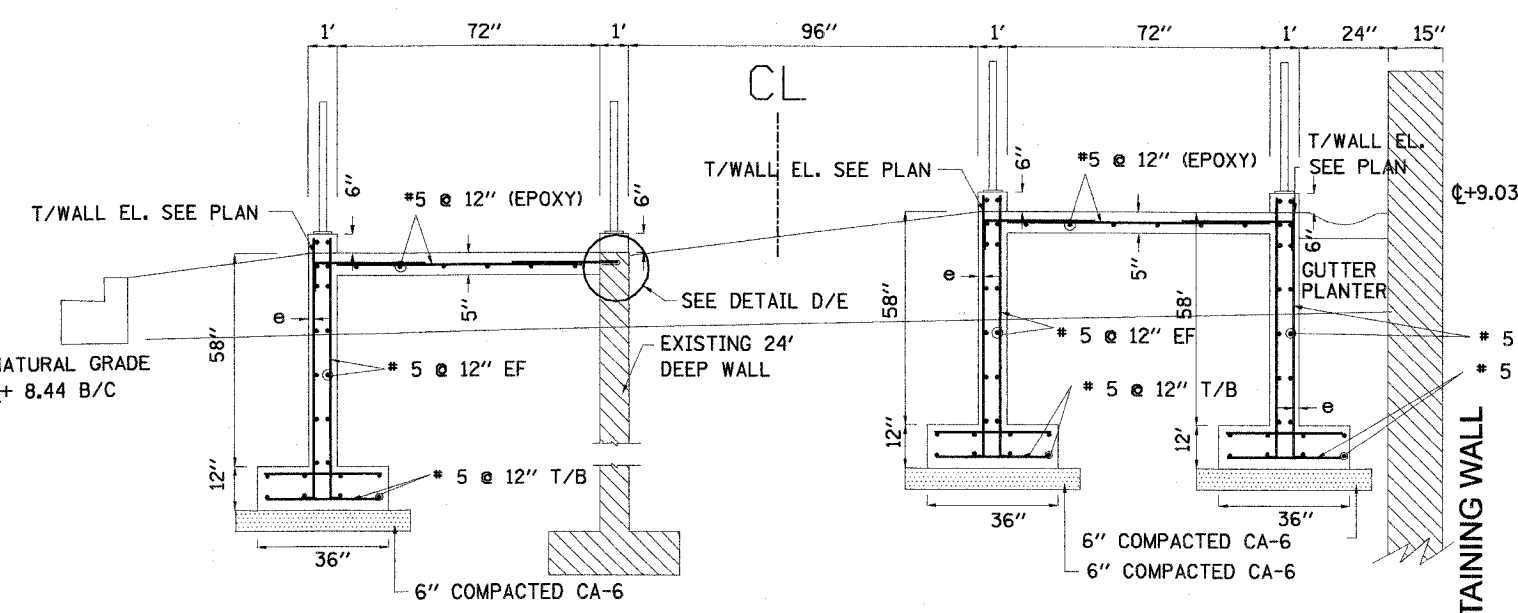
**NOTE:**  
 MINIMUM SOIL BEARING CAPACITY = 2,500 PSF  
 F'c = 4,000 PSI  
 Fa = 60,000 PSI  
 e = 3"



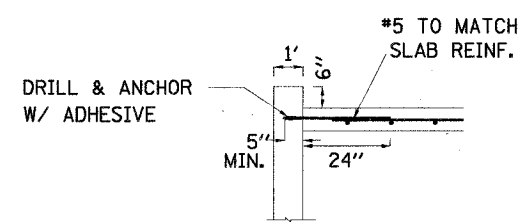
① SECTION A-A  
N.T.S.



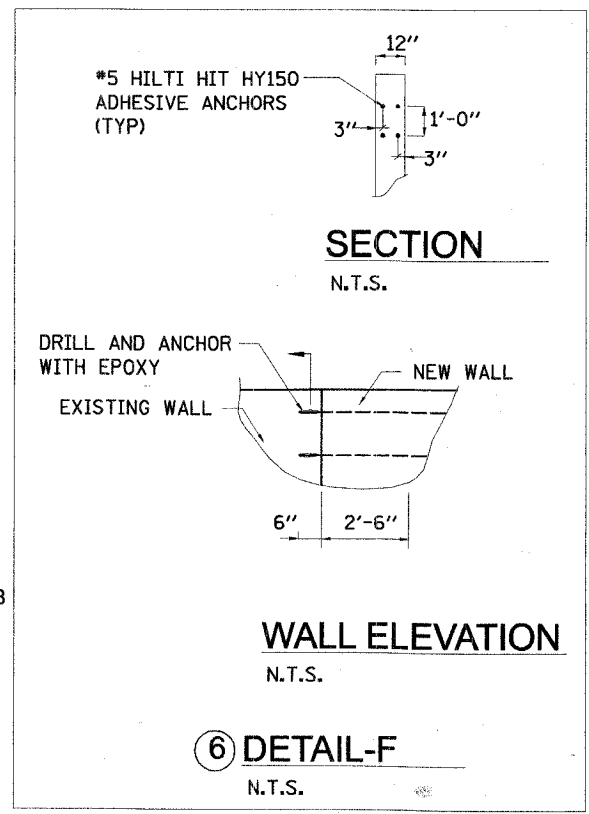
③ SECTION C-C  
N.T.S.



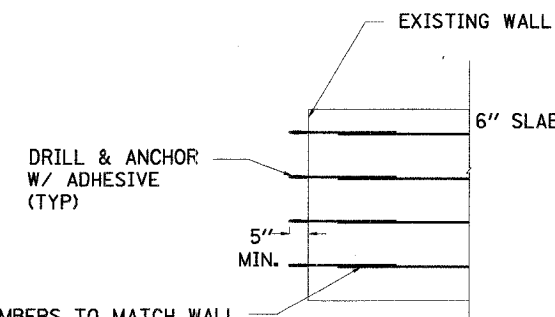
② SECTION B-B  
N.T.S.



④ DETAIL-D  
N.T.S.



SECTION  
N.T.S.



⑤ DETAIL-E  
N.T.S.

NUMBERS TO MATCH WALL REINF. (TYP) @ CENTER OF NEW WALL (1 TOTAL)

TIE ANCHORS

PLT DATE = 04/15/06  
 FILE NAME = #11111  
 PLOT SCALE = #SCALE#  
 REFERENCE = #REF#

NOTE: SEE SHEET NUMBER 14 FOR SECTIONS AND DETAILS

REVISIONS	
NAME	DATE

ILLINOIS DEPARTMENT OF TRANSPORTATION  
 RAMP AND STAIRS  
 REINFORCEMENT DETAILS

SCALE: NOT TO SCALE  
 DATE: 9/15/2005  
 DRAWN BY FG  
 CHECKED BY SC

