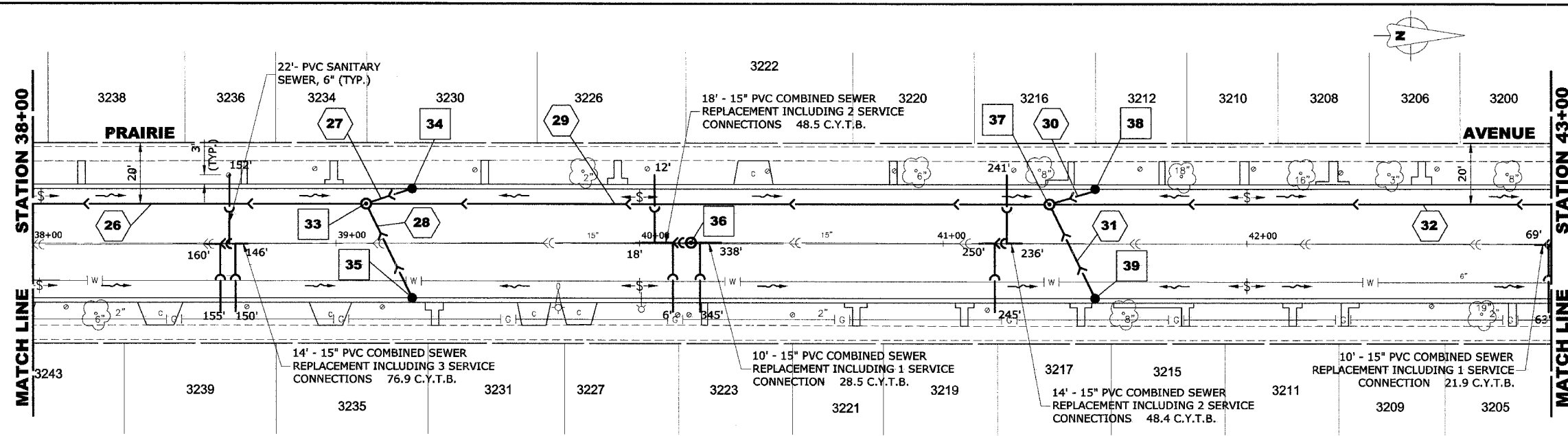


**EXISTING TOPOGRAPHY**

STRUC. NO.	STA.	OFFSET	TYPE	RIM ELEV.	INV. ELEV.
33	39+10	13' LT.	R.D. MANHOLE, 5' DIA., TYPE 1 FRAME, CLOSED LID	619.00	614.55 NW 614.35 NE 612.24 N-S
34	39+25	18' LT.	R.D. CATCH BASIN, 4' DIA. TYPE 1 FRAME, OPEN LID	618.70	614.70
35	39+25	18' RT.	R.D. CATCH BASIN, 4' DIA. TYPE 1 FRAME, OPEN LID	618.70	614.70
36	40+17	0	R.D. COMBINED SEWER MANHOLE, 4' DIA., TYPE 1 FRAME, CLOSED LID	619.48	609.81
37	41+35	13' LT.	R.D. MANHOLE, 5' DIA., TYPE 1 FRAME, CLOSED LID	618.70	614.25 NW 614.05 NE 612.47 N-S
38	41+50	18' LT.	R.D. CATCH BASIN, 4' DIA. TYPE 1 FRAME, OPEN LID	618.40	614.40
39	41+50	18' LT.	R.D. CATCH BASIN, 4' DIA. TYPE 1 FRAME, OPEN LID	618.40	614.40



**PROPOSED IMPROVEMENTS**

PIPE NO.	LENGTH	DIA.	TYPE	SLOPE	C.Y.T.B.
26	240'	36"	SS, TY-2, RCCP, CL-III	0.10%	198.9
27	15'	10"	SS,PVC, SDR 26	1.00%	0.9
28	35'	10"	SS,PVC, SDR 26	1.00%	2.3
29	225'	36"	SS, TY-2, RCCP, CL-III	0.10%	162.5
30	15'	10"	SS,PVC, SDR 26	1.00%	0.9
31	35'	10"	SS,PVC, SDR 26	1.00%	2.3
32	200'	30"	SS, TY-2, RCCP, CL-III	0.13%	120.2

