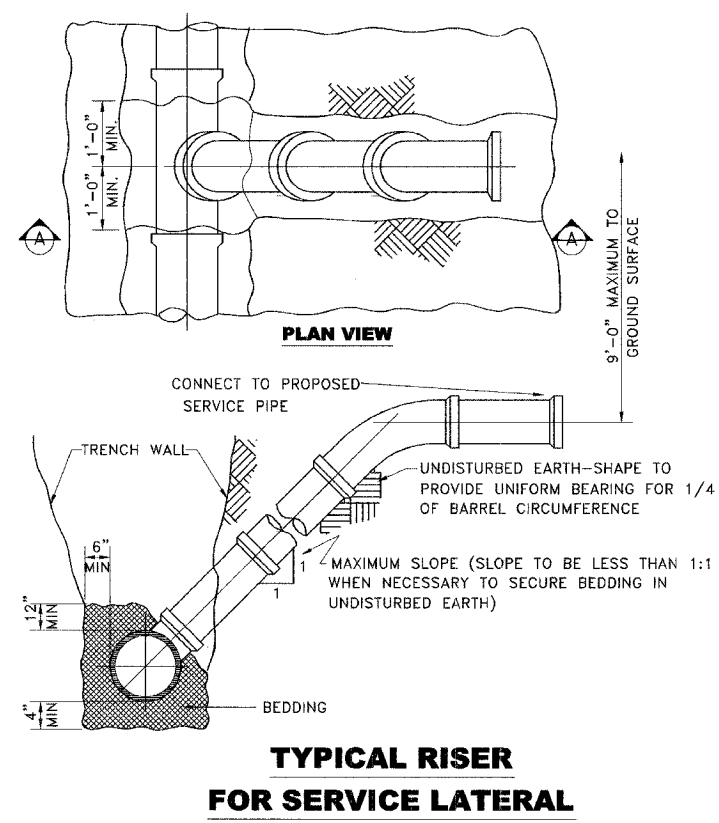


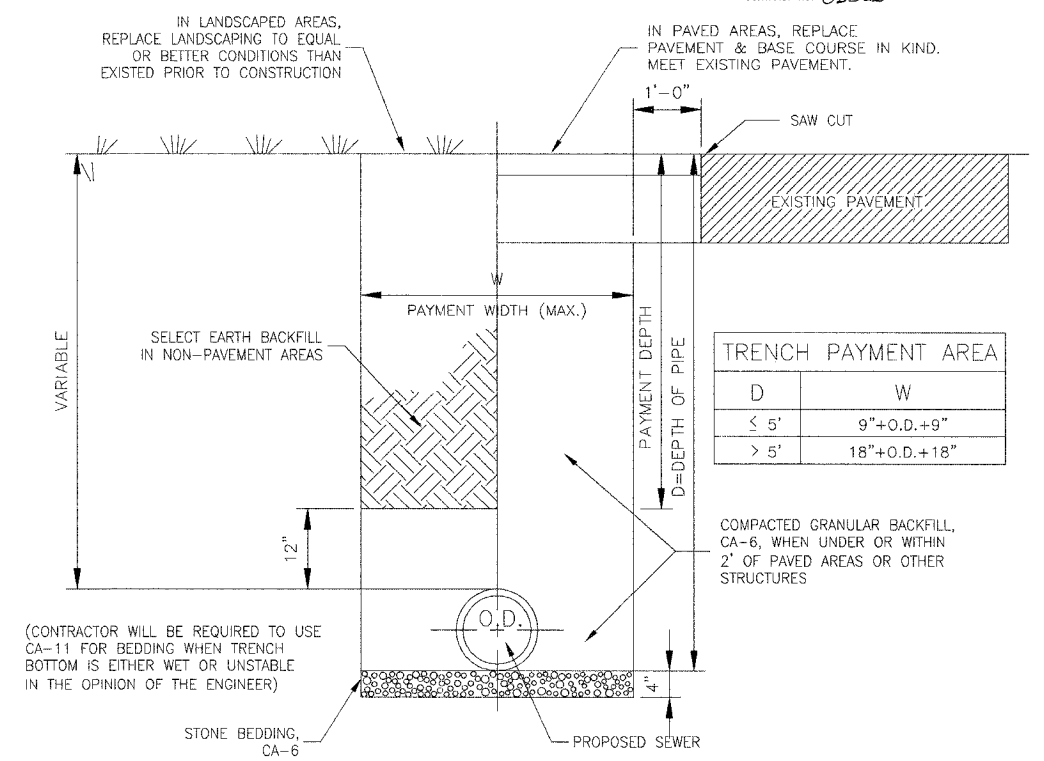
NOTE:

- THRUST BLOCKS TO BE USED AT 1/16(22-1/2°) OR GREATER BENDS & AT ALL ENDS TO BE PLUGGED.
- PRECAST CONCRETE THRUST BLOCKS TO BE PLACED AGAINST FIRM, UNDISTURBED SOIL.

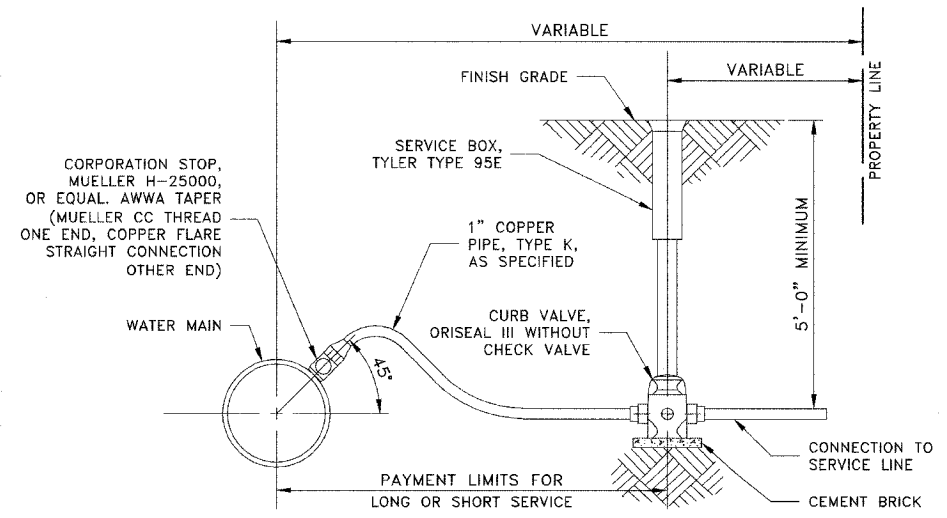
THRUST BLOCK DETAIL



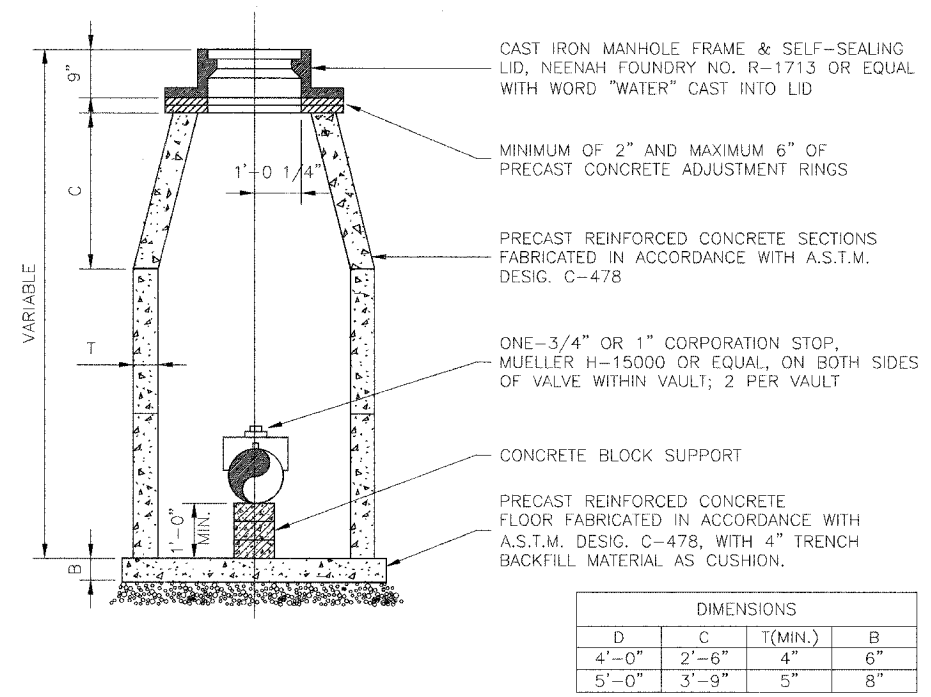
TYPICAL RISER FOR SERVICE LATERAL



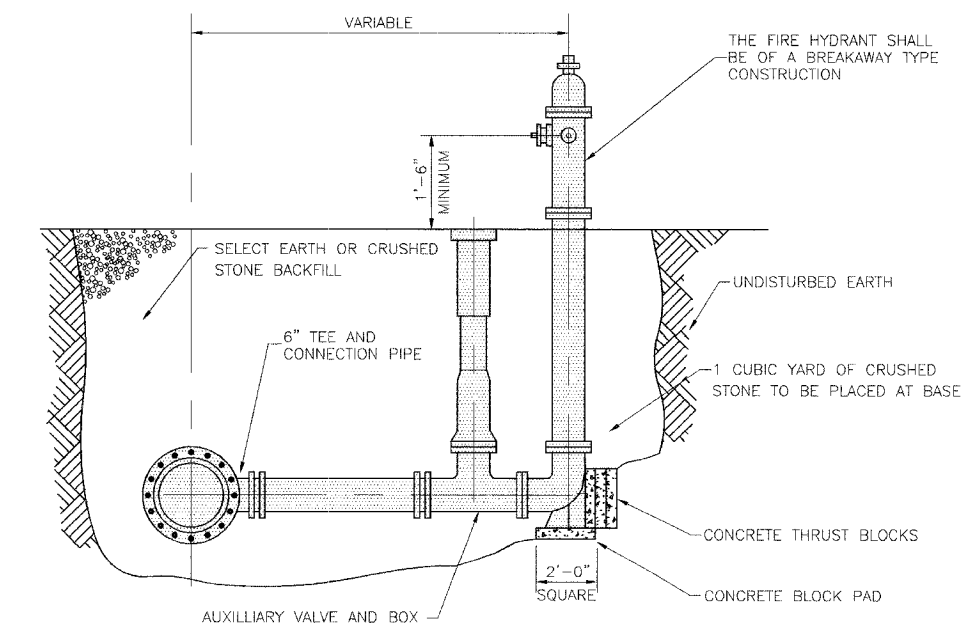
TYPICAL WATER MAIN TRENCH DETAIL



TYPICAL WATER SERVICE DETAIL



STANDARD VALVE VAULT DETAIL



FIRE HYDRANT DETAIL