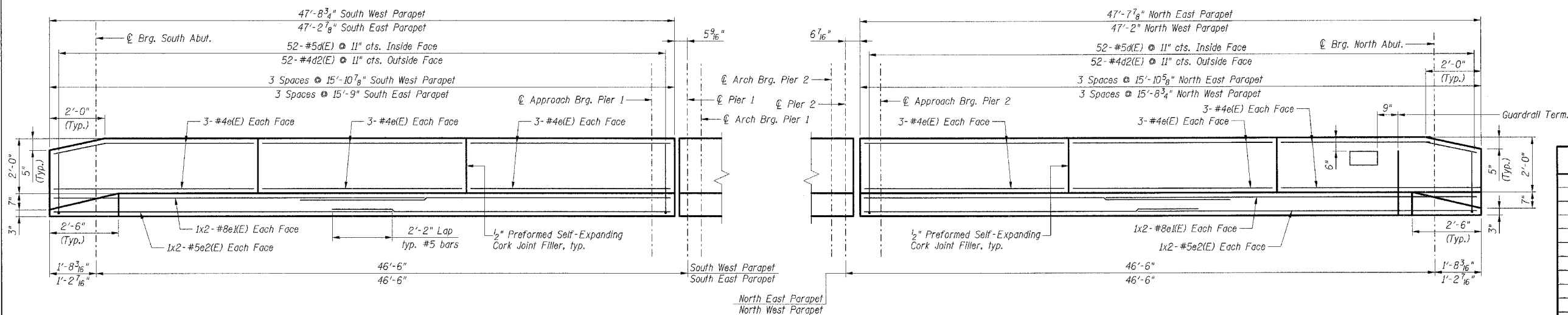


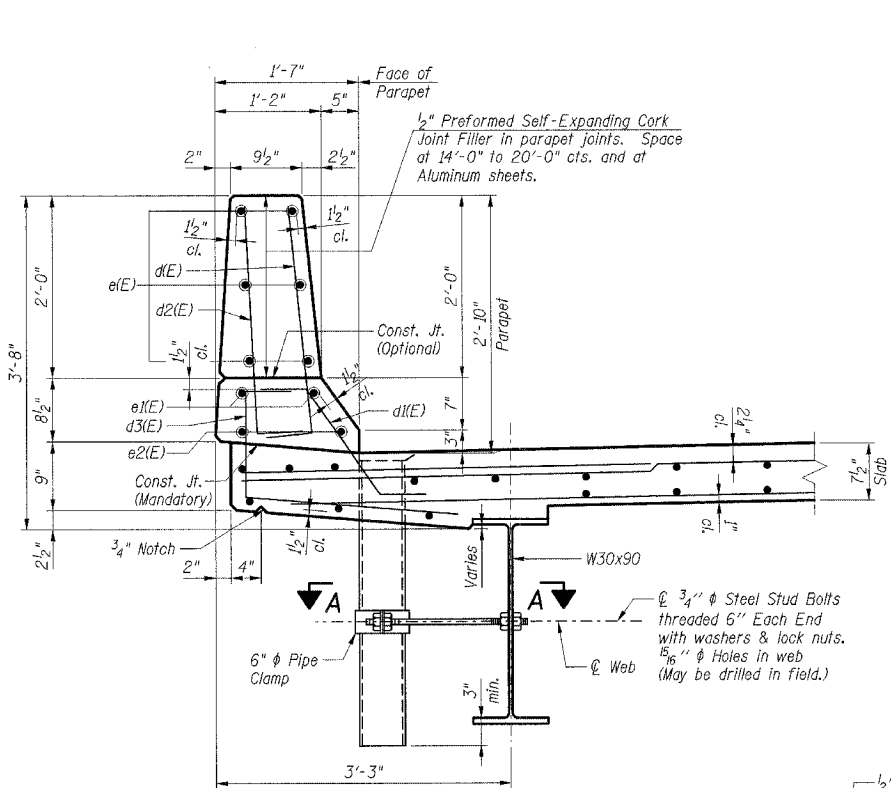
FAU RTE	SECTION	COUNTY	TOTAL SHEETS	SHEET NO.
7000	02-00212-00-BR	VERMILION	59	27
FROM STA. 96+00.00		TO STA. 103+10.10		
FED. ROAD DIST. NO.		ILLINOIS FED. AID PROJECT		
CONTRACT NO. 91265				



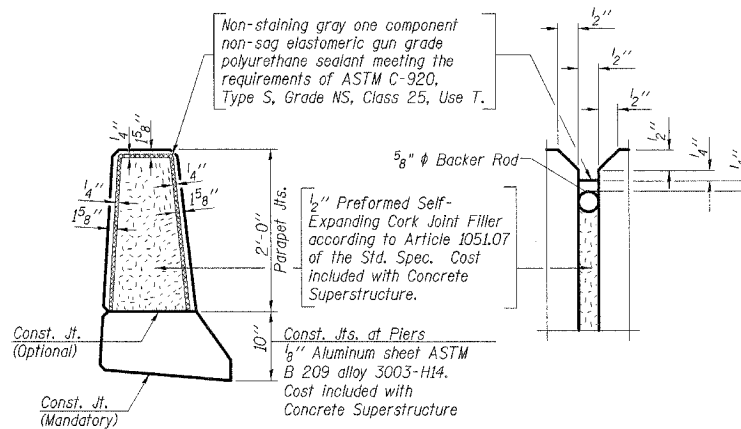
INSIDE ELEVATION OF PARAPET
(West shown, East similar)

BAR LIST
(Both Approach Spans)

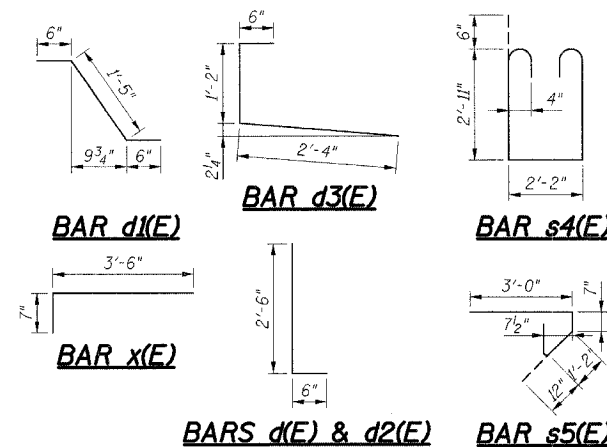
Bar	No.	Size	Length	Shape
a(E)	170	#5	15'-5"	
a1(E)	150	#5	23'-3"	
a2(E)	220	#5	18'-10"	
a3(E)	208	#6	4'-6"	
a4(E)	18	#5	15'-1"	
a5(E)	24	#5	24'-11"	
a6(E)	14	#5	17'-2"	
a7(E)	28	#5	23'-6"	
a8(E)	32	#5	19'-10"	
a9(E)	26	#5	19'-11"	
a10(E)	8	#5	21'-6"	
m(E)	10	#6	27'-3"	
m1(E)	10	#6	18'-4"	
m2(E)	12	#6	11'-8"	
m3(E)	8	#6	9'-5"	
m4(E)	8	#6	9'-5"	
m5(E)	4	#6	3'-6"	
b(E)	164	#5	30'-0"	
b1(E)	164	#5	19'-8"	
d(E)	208	#5	3'-0"	
d1(E)	208	#5	2'-5"	
d2(E)	208	#4	3'-0"	
d3(E)	208	#4	4'-0"	
e(E)	72	#4	15'-7"	
e1(E)	16	#8	25'-11"	
e2(E)	16	#5	25'-9"	
s4(E)	84	#4	9'-0"	
s5(E)	84	#5	5'-6"	
v(E)	88	#5	3'-3"	
x(E)	68	#5	4'-1"	



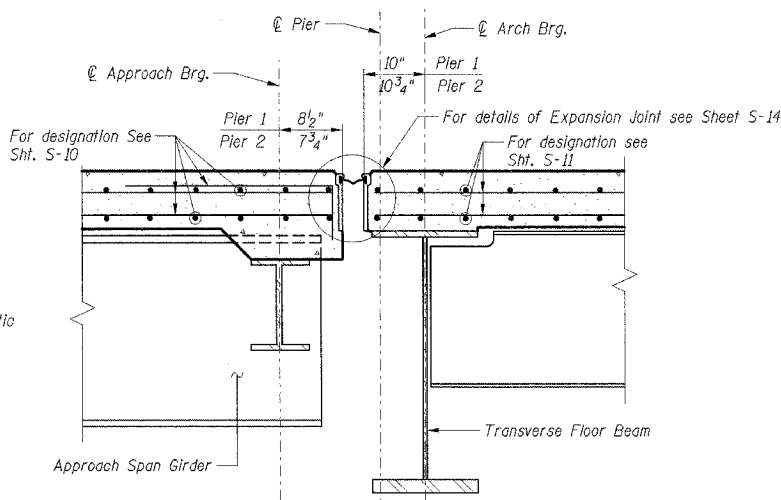
SECTION THRU PARAPET



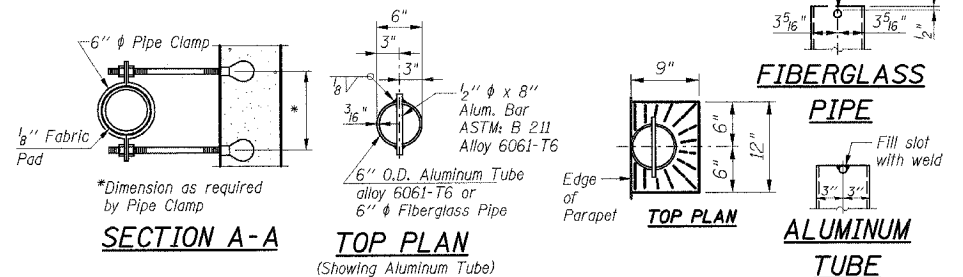
PARAPET JOINT DETAILS



BARS d1(E) & d2(E) BAR s5(E)



SECTION B-B



SECTION A-A TOP PLAN
(Showing Aluminum Tube)

FIBERGLASS PIPE ALUMINUM TUBE

BILL OF MATERIAL

Item	Unit	Total
Concrete Superstructure	Cu Yd	130.3
Reinforcement Bars, Epoxy Coated	Lbs	30,950
Floor Drains	Each	8
Bridge Deck Grooving	Sq Yd	356
Protective Coat	Sq Yd	356

SHT. S-12 OF 40

REVISIONS	
NAME	DATE

CITY OF DANVILLE, ILLINOIS
HUNGRY HOLLOW ROAD BRIDGE
PARAPET ELEVATIONS & DETAILS
APPROACH SPANS

SCALE: DATE 12/06/05 DRAWN BY LAR CHECKED BY JRH

TENG

- Notes:
1. Reinforcement bars designated (E) shall be epoxy coated
 2. Bars indicated thur 1x2-#5 etc. indicates 1 line of bars with 2 lengths per line.
 3. Work this sheet with sheet S-34.

ROSSFE

\\11B00029.D0N\...SUD00P8AD0N S:\DOCUMENT\02358902\STRUCT\06\ASUD00P8AD0N 12-01-2006, 10:25:52