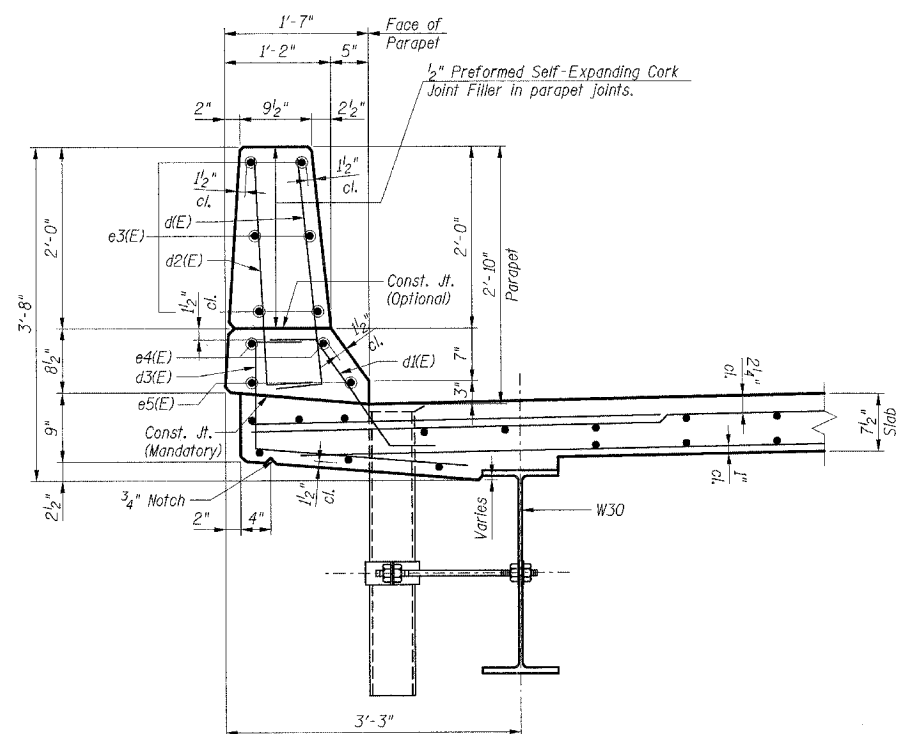


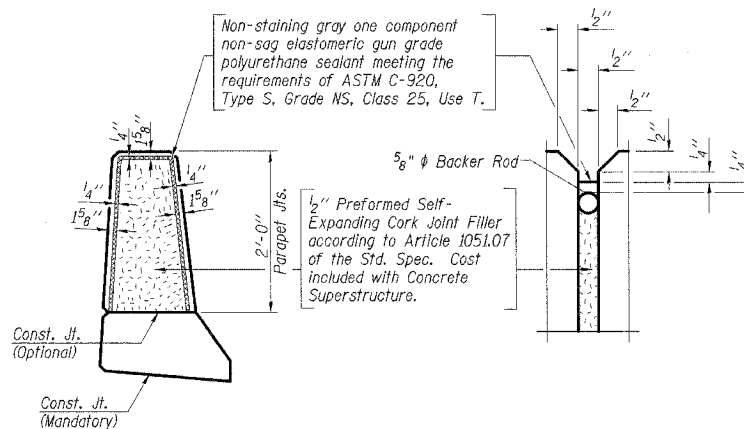
INSIDE ELEVATION OF PARAPET
(West shown, East similar)

BAR LIST
(Main Span)

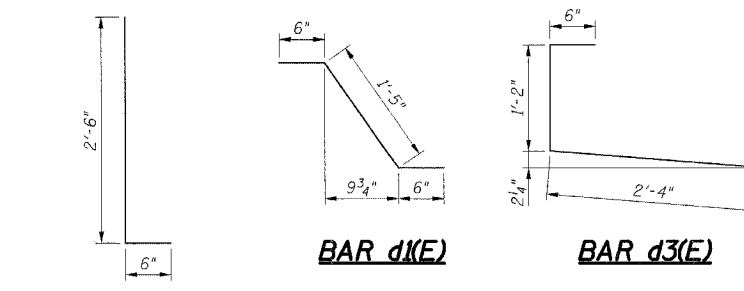
Bar	No.	Size	Length	Shape
a(E)	357	#5	15'-5"	—
a1(E)	347	#5	23'-3"	—
a2(E)	484	#5	18'-10"	—
a3(E)	376	#6	4'-6"	—
a4(E)	9	#5	15'-1"	—
a5(E)	12	#5	24'-11"	—
a6(E)	7	#5	17'-2"	—
a7(E)	14	#5	23'-6"	—
a8(E)	16	#5	19'-10"	—
a9(E)	13	#5	19'-11"	—
b3(E)	534	#5	30'-0"	—
b4(E)	80	#5	19'-8"	—
b5(E)	198	#5	10'-0"	—
d(E)	376	#5	3'-0"	┘
d1(E)	376	#5	2'-5"	┘
d2(E)	376	#4	3'-0"	┘
d3(E)	376	#4	4'-0"	┘
e3(E)	108	#4	18'-9"	—
e4(E)	24	#8	32'-4"	—
e5(E)	28	#5	26'-4"	—



SECTION THRU PARAPET



PARAPET JOINT DETAILS



BARS d1(E) & d2(E)

BILL OF MATERIAL

Item	Unit	Total
Concrete Superstructure	Cu Yd	190.2
Reinforcement Bars, Epoxy Coated	Lbs	56,220
Floor Drains	Each	14
Bridge Deck Grooving	Sq Yd	648
Protective Coat	Sq Yd	648

SHT. S-13 OF 40

REVISIONS	NAME	DATE

CITY OF DANVILLE, ILLINOIS
HUNGRY HOLLOW ROAD BRIDGE

**PARAPET ELEVATIONS & DETAILS
MAIN SPAN**

SCALE: _____ DRAWN BY LAR
DATE 12/06/05 CHECKED BY JRH

TENG
TENG & ASSOCIATES, INC.
ENGINEERS ARCHITECTS PLANNERS
205 N. WASHINGTON AVE. CHICAGO, IL 60601
TELEPHONE 312.564.0000

- Notes:**
1. Reinforcement bars designated (E) shall be epoxy coated.
 2. Bars indicated thur 1x2-#5 etc. indicates 1 line of bars with 2 lengths per line.
 3. For Drain Details, see Sht. S-12.

ROSSFF
S:\SUDOPR\9100N...1\TERR00029100N...1\STRUCT\00N\SUDOPR\9100N
12-07-2005, 10:25:52