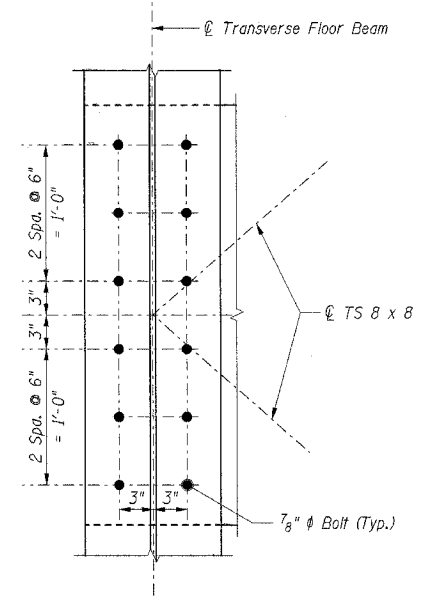
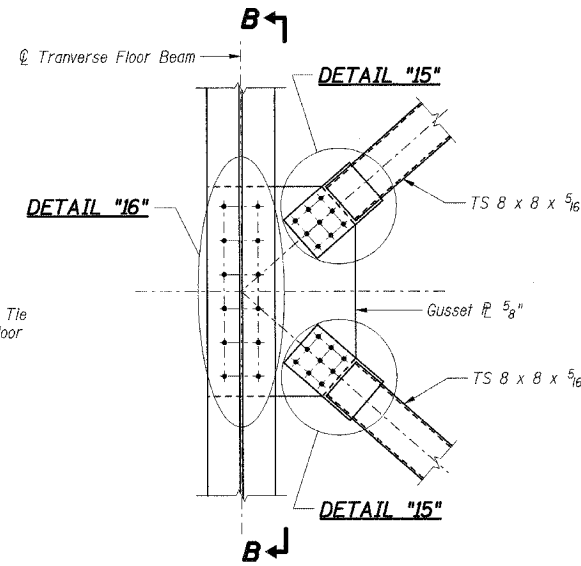
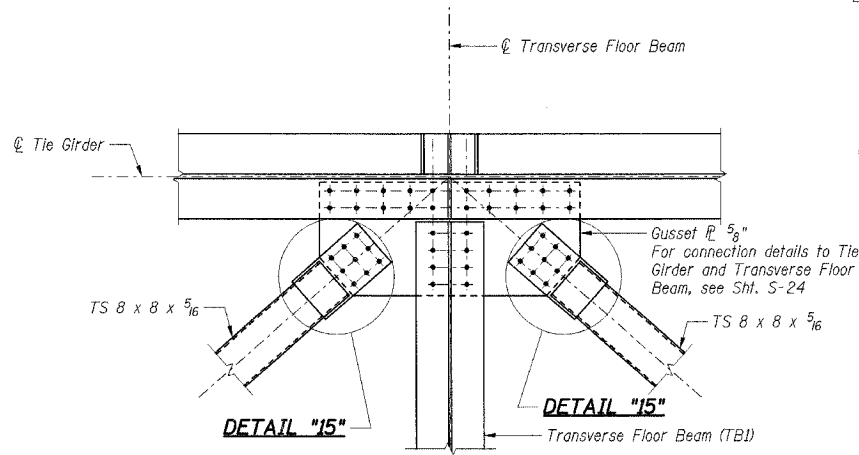
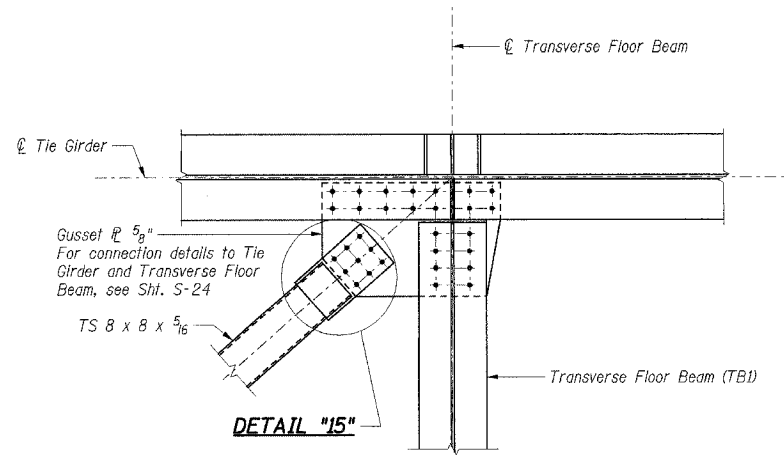
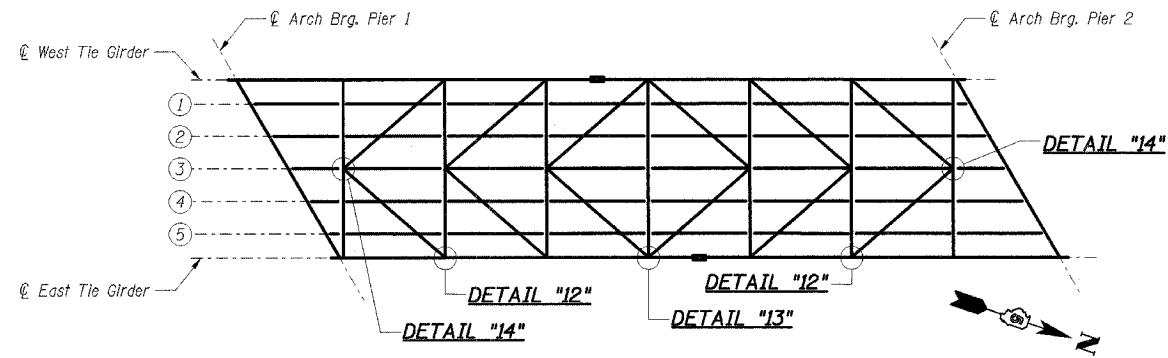


FAL RTE	SECTION	COUNTY	TOTAL SHEETS	SHEET NO.
7000	02-00212-00-BR	VERMILION	59	41
FROM STA. 96+00.00		TO STA. 103+10.10		
FED. ROAD DIST. NO.	ILLINOIS	FED. AID PROJECT		

CONTRACT NO. 91285

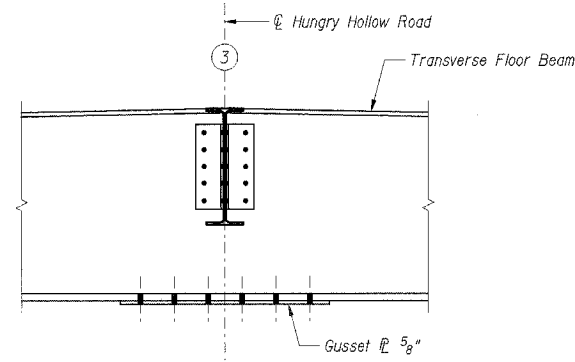
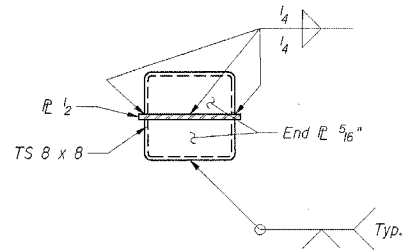
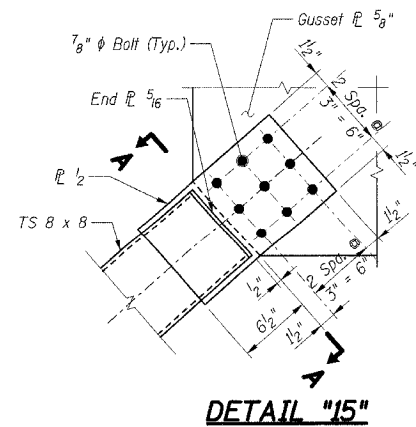


DETAIL "12"

DETAIL "13"

DETAIL "14"

DETAIL "16"



SHT. S-26 OF 40

REVISIONS	
NAME	DATE

CITY OF DANVILLE, ILLINOIS
HUNGRY HOLLOW ROAD BRIDGE
FLOOR SYSTEM LATERAL
BRACING DETAILS

SCALE: DATE 12/06/05

DRAWN BY RAM
CHECKED BY JRH

TENG
TENG & ASSOCIATES, INC.
ENGINEERS ARCHITECTS INTERIORS
266 N. MICHIGAN AVE. CHICAGO, IL 60601
TELEPHONE 312.467.0900

ROCSPP

\\FRP005\FY.DON... \TIB00023.DGN... \DET00PBR.DGN... \GME00PBL.DGN... \BME00PBL.DGN
12-07-2005, 13:24:39 S:\DOCUMENT\0336402\STRUCT\UDANVE\T00PBR.DGN