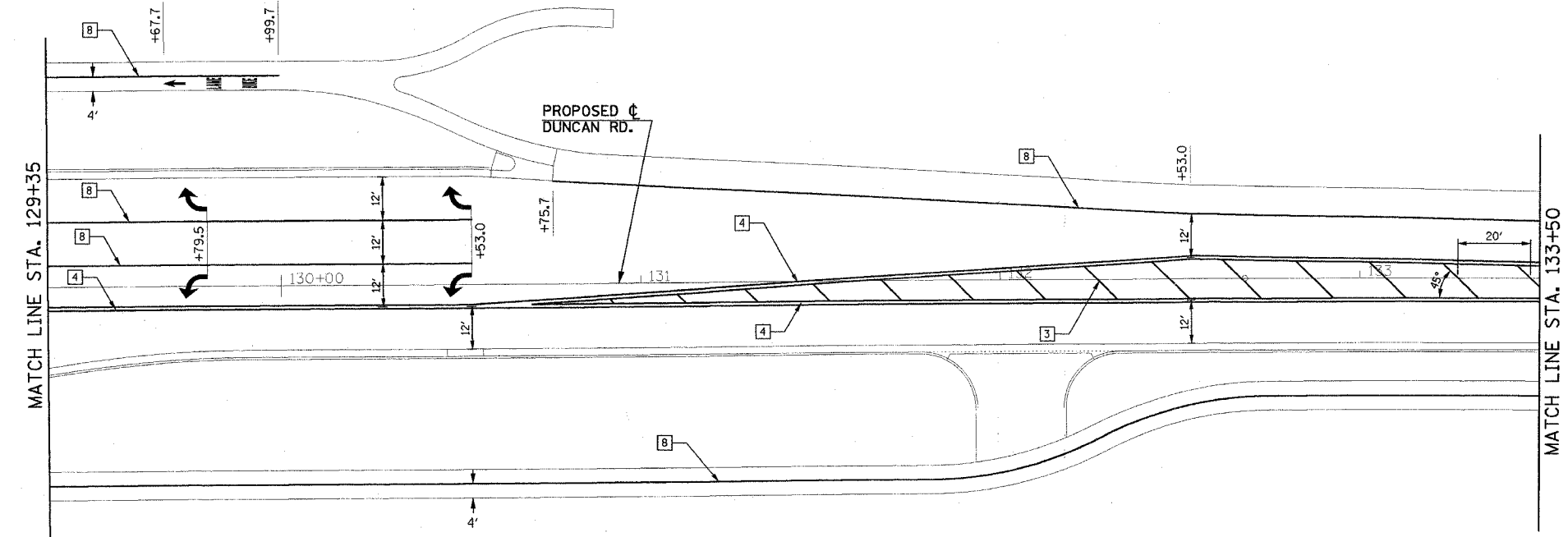
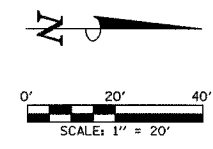
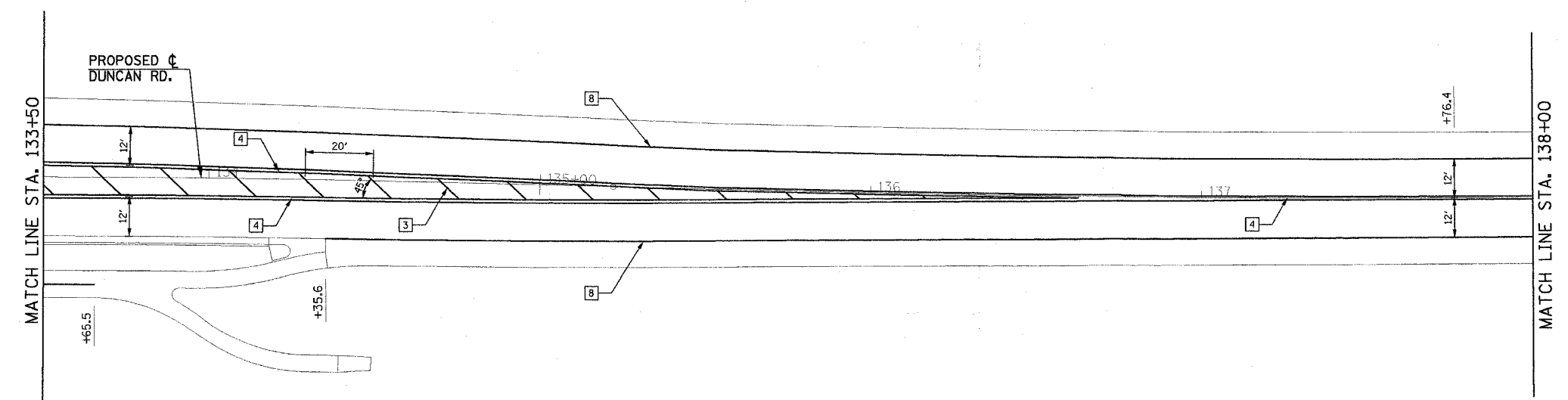


F.A. DIST. NO.	SECTION	COUNTY	TOTAL SHEETS	SHEET NO.
807	00-00374-00-PV	CHAMPAIGN	149	78
STA. 129+35		TO STA. 138+00		
FED. ROAD DIST. NO. 7		ILLINOIS	F.A. PROJECT M-5181(38)	

CONTRACT NO. 91308



1 4" SKIP-DASH (YELLOW)	8 4" SOLID (WHITE)
2 4" SOLID (YELLOW)	9 12" DIAGONAL (WHITE)
3 12" DIAGONAL (YELLOW)	10 6" CROSSWALK (WHITE)
4 4" DOUBLE YELLOW (NARROW)	11 24" STOP BAR (WHITE)
5 4" DOUBLE YELLOW (WIDE)	12 8" SOLID (WHITE)
6 RESERVED	13 4" LANE LINE EXTENSIONS (WHITE)
7 4" SKIP-DASH (WHITE)	14 RESERVED



ILLINOIS DEPARTMENT OF TRANSPORTATION

PAVEMENT MARKING PLAN

DATE : 8-05  
 DRAWN BY : S.M.W.  
 CHECKED BY : R.L.H.

SCALE : 1"=20'