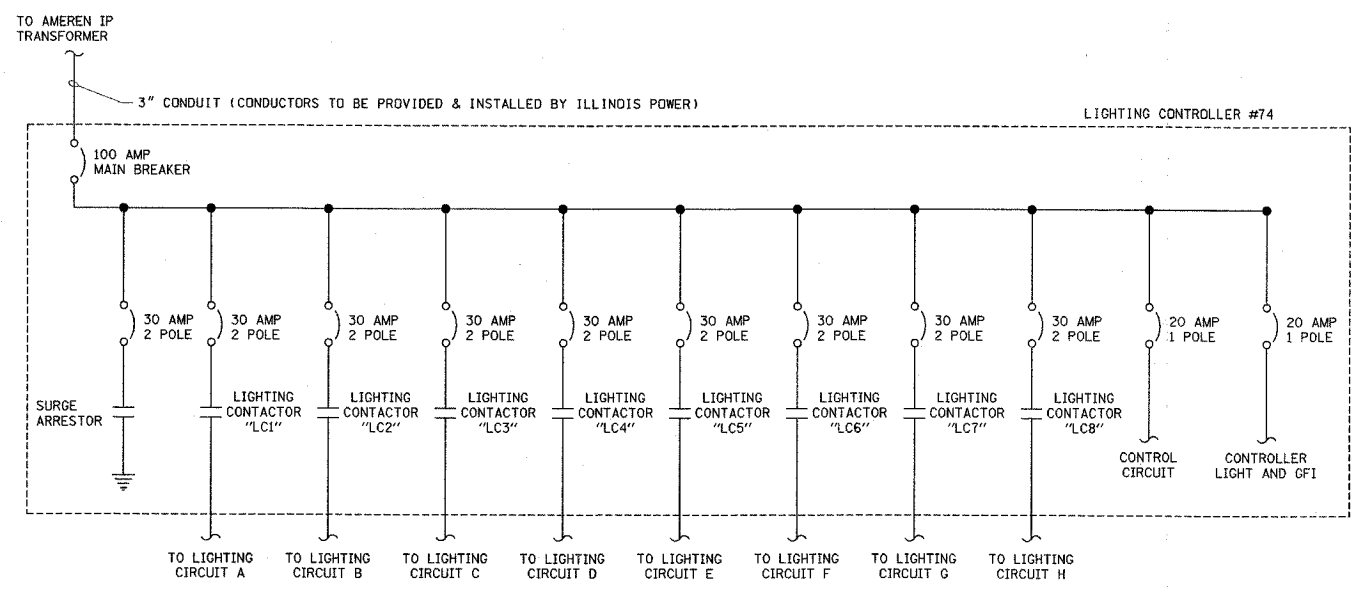


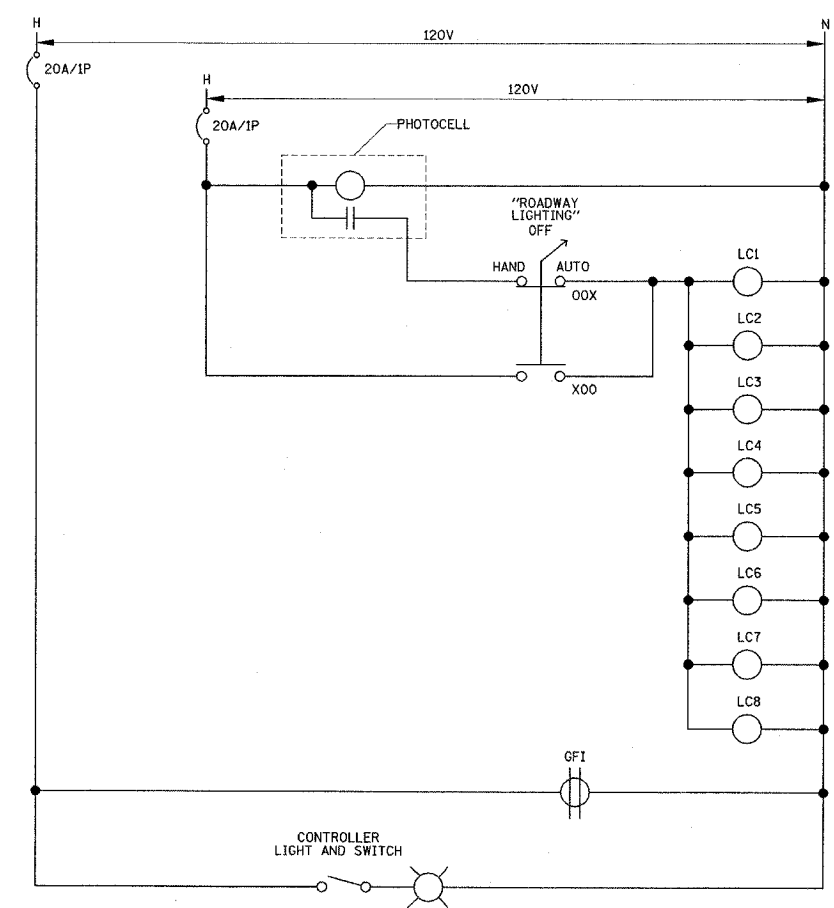
CONTRACT NO. 91308

PANELBOARD LIGHTING		MAINS		100 AMPS		LOCATION: CURTIS ROAD STA. 45+65.56					
VOLTAGE		120/240		BUS RATING		100 AMPS					
PHASE/WIRE		1PH/3W		MOUNTING		INTERIOR ONLY					
DESCRIPTION	CKT. NO.	LOAD (VA) A	LOAD (VA) B	AMPS/POLES	CKT. BKR.	AMPS/POLES	LOAD (VA) A	LOAD (VA) B	CKT. NO.	DESCRIPTION	
SURGE ARRESTOR	1	0		30/2		30/2	750		2	STREET LIGHTING CIRCUIT B	
	3		0					750	4		
STREET LIGHTING CIRCUIT A	5	750		30/2		30/2	750		6	STREET LIGHTING CIRCUIT D	
	7		750					750	8		
STREET LIGHTING CIRCUIT C	9	750		30/2		30/2	600		10	STREET LIGHTING CIRCUIT F	
	11		750				600	600	12		
STREET LIGHTING CIRCUIT E	13	750		30/2		30/2	600		14	STREET LIGHTING CIRCUIT H	
	15		750				600	600	16		
STREET LIGHTING CIRCUIT G	17	600		30/2		20/1	500		18	CONTROL CIRCUIT	
	19		600			20/1	280		20	CONTROLLER LIGHT & GFI	
SPACE	21	0					0		22	SPACE	
SPACE	23		0				0		24	SPACE	
SPACE	25	0					0		26	SPACE	
SPACE	27		0				0		28	SPACE	
SPACE	29	0					0		30	SPACE	
SUBTOTAL "A"		2850					3200				
SUBTOTAL "B"			2850					2980			
TOTAL VOLTAMPERES A & B:		11,880 VA									

PANELBOARD SCHEDULE
NO SCALE



ELECTRICAL ONE-LINE DIAGRAM
NO SCALE



NOTE:
GROUND WIRE NOT SHOWN FOR CLARITY. CONTRACTOR SHALL GROUND ALL EQUIPMENT IN THE LIGHTING CONTROL CABINET AS REQUIRED BY THE NATIONAL ELECTRICAL CODE.

LIGHTING CONTROLLER #74 CONTROL DIAGRAM
NO SCALE

ILLINOIS DEPARTMENT OF TRANSPORTATION

ROADWAY LIGHTING DETAILS

DATE : 8-05
DRAWN BY : S.M.W.
CHECKED BY : J.J.F.

SCALE : NONE