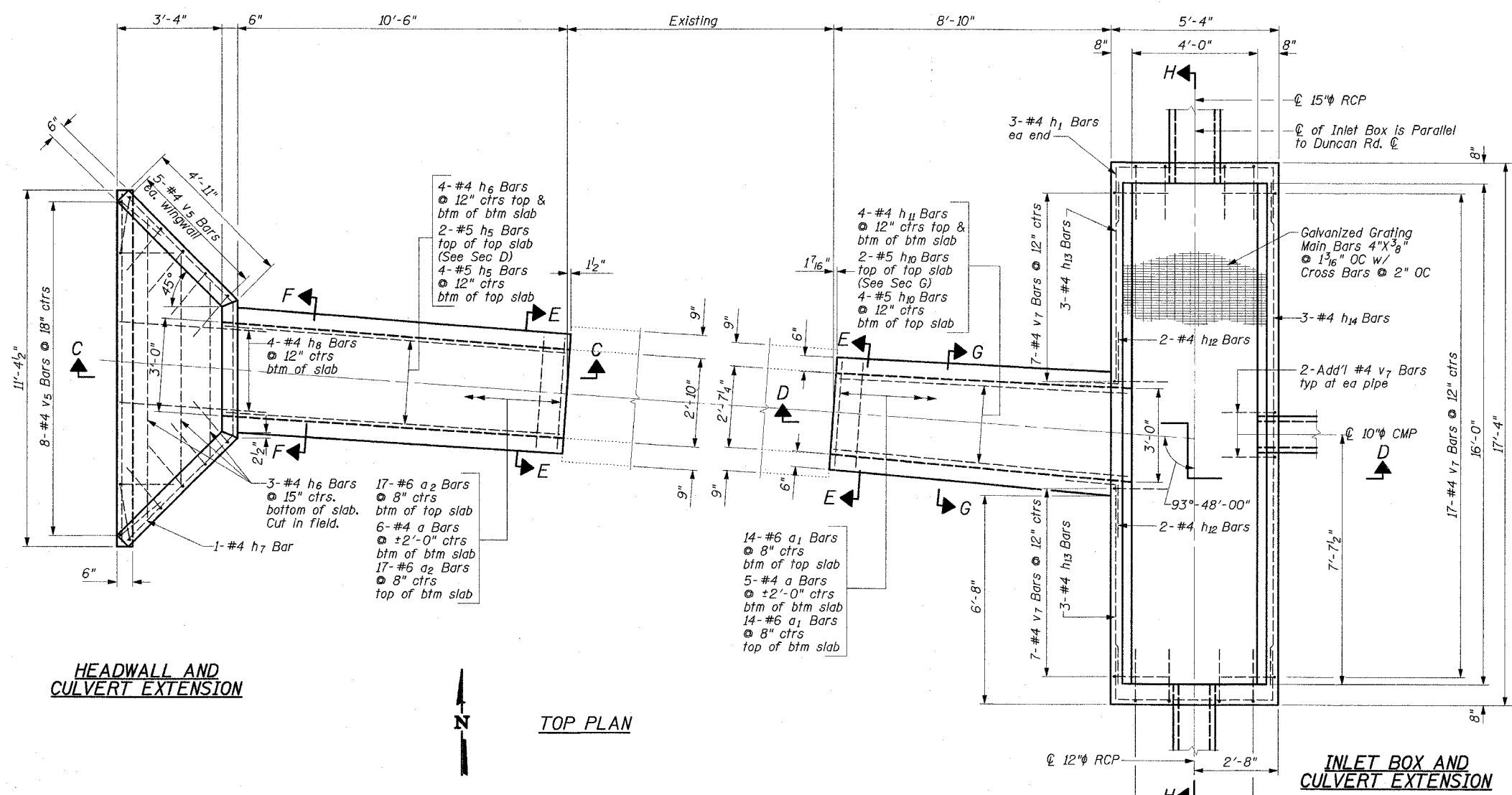


F.A.U. RTE.	SECTION	COUNTY	TOTAL SHEETS	SHEET NO.
807	00-00374-00-PV	CHAMPAIGN	149	97
STA.	TO STA.			
FED. ROAD DIST. NO. 7	ILLINOIS	F.A. PROJECT	M-5181(38)	

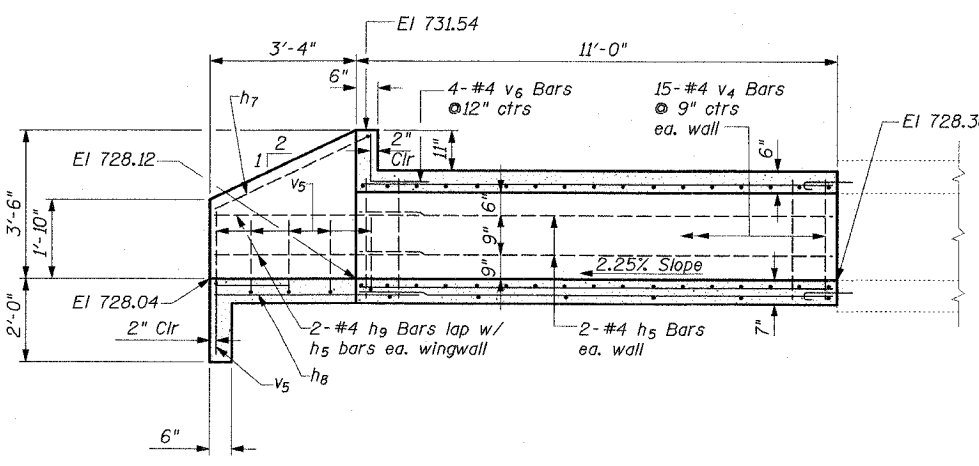
CONTRACT NO. 91308



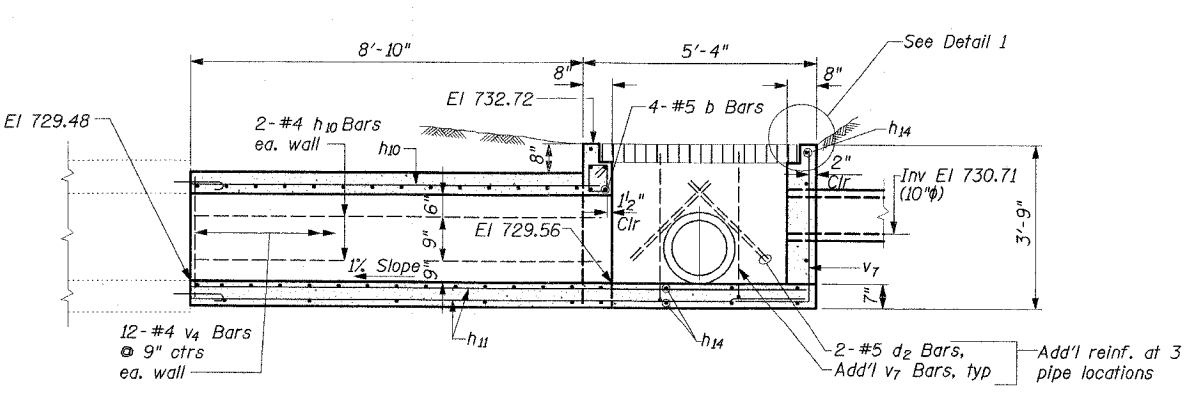
HEADWALL AND CULVERT EXTENSION

TOP PLAN

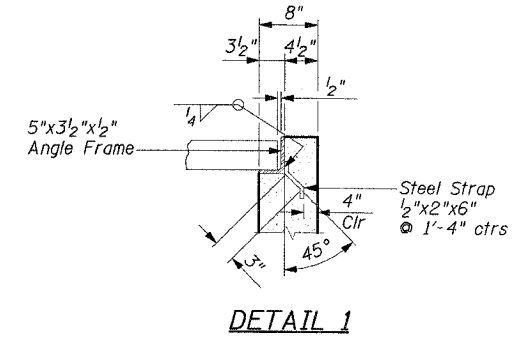
INLET BOX AND CULVERT EXTENSION



SECTION C-C



SECTION D-D



DETAIL 1

ILLINOIS DEPARTMENT OF TRANSPORTATION
INLET BOX, SPECIAL, NO. 3,
CONCRETE HEADWALL AND
BOX CULVERT EXTENSION DETAILS
 STA. 137+25.38, STA. 137+30.14
 DATE : 7-05
 DRAWN BY : M.E.W.
 CHECKED BY : M.M.

SCALE 1/2"=1'-0"