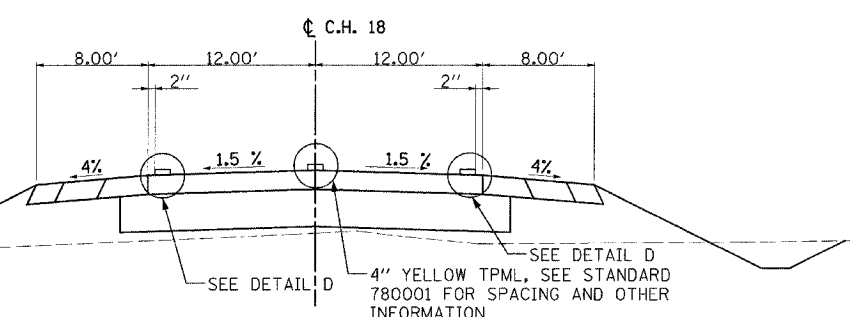
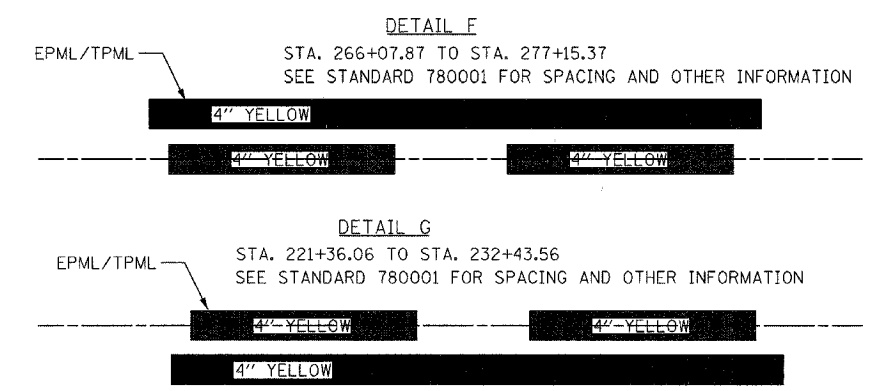
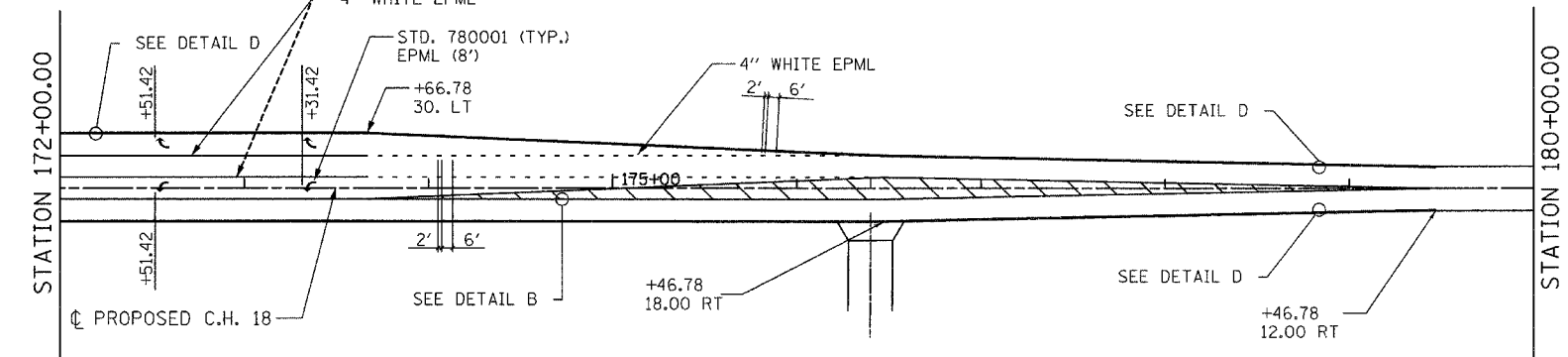
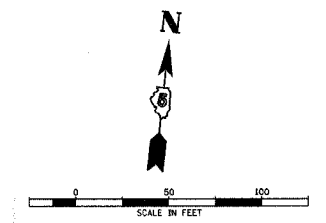
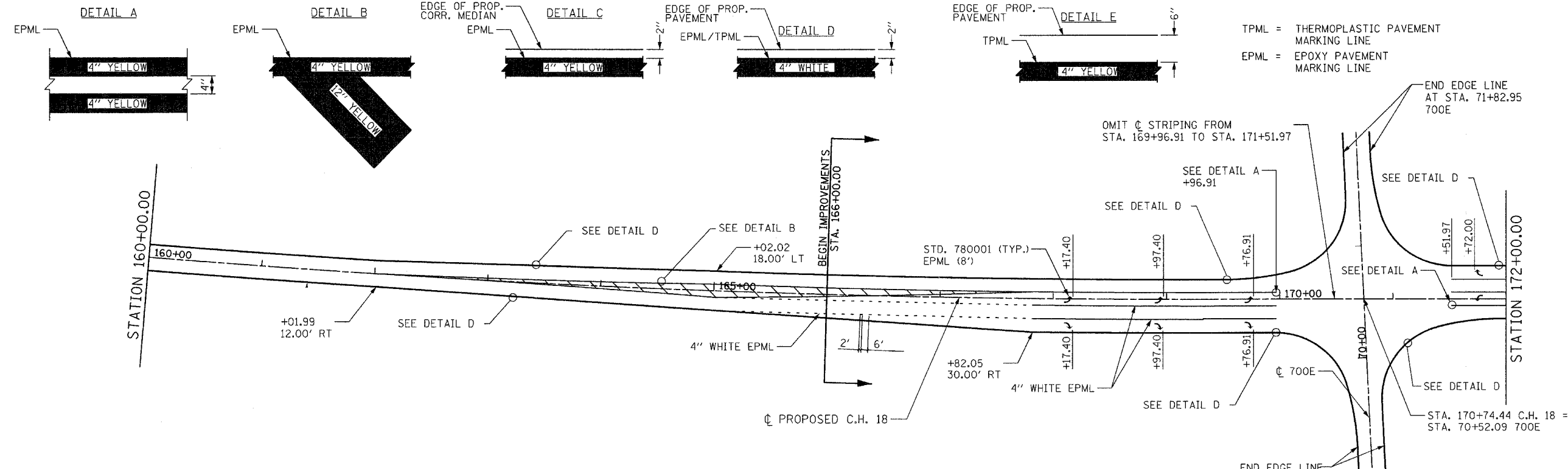
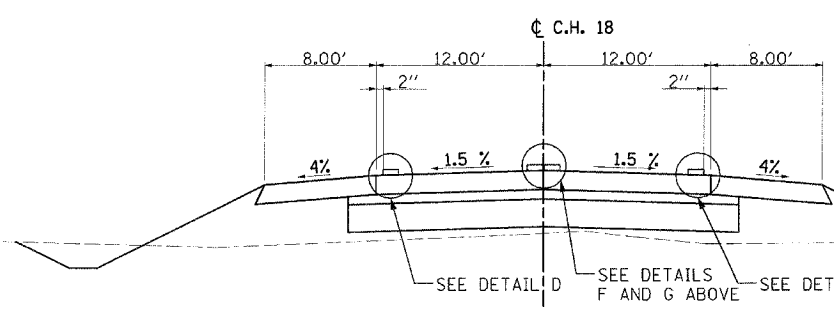


F.A.S. RTE.	SECTION	COUNTY	TOTAL SHEETS	SHEET NO.
642	99-00124-02-PV	COLES	229	72
STA.		TO STA.		
FED. ROAD DIST. NO.		ILLINOIS	FED. AID PROJECT	



COUNTY HIGHWAY 18
STA. 179+46.78 TO STA. 221+36.06
STA. 277+15.37 TO STA. 278+00.00

INTERSECTION OMISSIONS (EOP MARKINGS ONLY)
STA. 210+88.67 TO STA. 212+10.69 (780E)



COUNTY HIGHWAY 18 NO PASSING ZONES
STA. 221+36.06 TO STA. 232+43.56
STA. 266+07.87 TO STA. 277+15.37

INTERSECTION OMISSIONS (EOP MARKINGS ONLY)
STA. 223+89.22 TO STA. 225+07.23 (800E)
STA. 275+59.33 TO STA. 276+79.33 (900E)

NOTES: CONTINUE THE PAVEMENT EDGE STRIPE TO THE FURTHEST RADIUS RETURNS OF THE CROSSROADS.
CONTINUE THE CENTERLINE STRIPING THROUGH THE 780E, 800E, AND 900E INTERSECTIONS.
USE EPML ON PCC PAVEMENT.
USE TPML ON BITUMINOUS PAVEMENT.

REVISIONS	
NAME	DATE

ILLINOIS DEPARTMENT OF TRANSPORTATION

PAVEMENT MARKINGS
FAI-57, FAS 642
SEC NO. 15-23K, 99-00124-02-PV
COLES COUNTY, ILLINOIS

SCALE: 1"=50'
DATE 07/13/2005
DRAWN BY JLW
CHECKED BY SKM



07/13/2005
 SAM 10/25/03
 DWP 04/28/03
 IN 08/05/01
 SAM 10/11/05
 820280001\AS\HW-502PVT.dgn