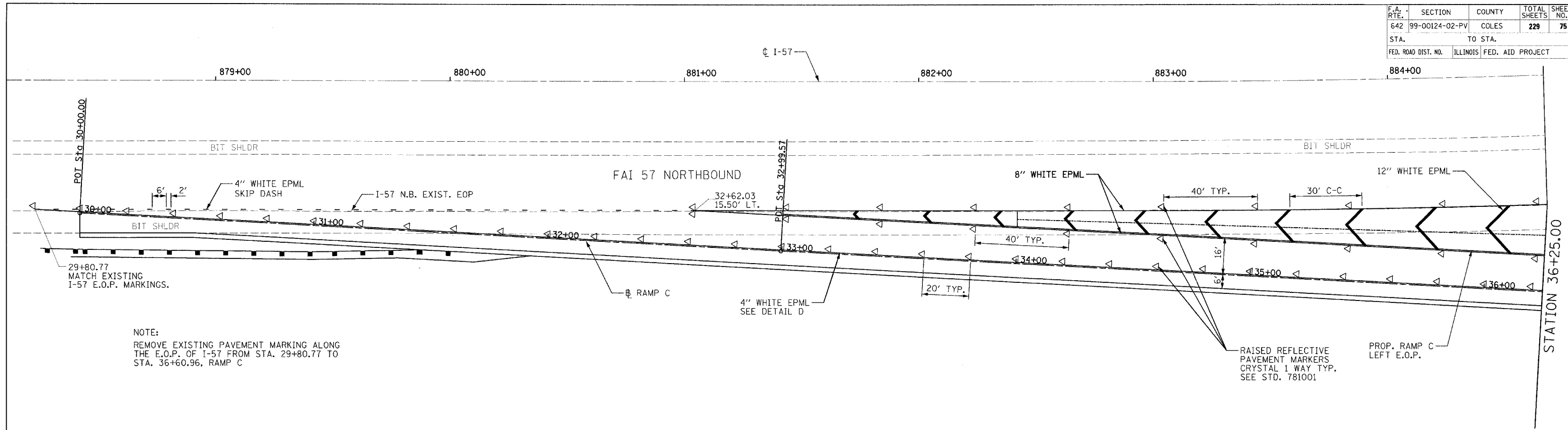
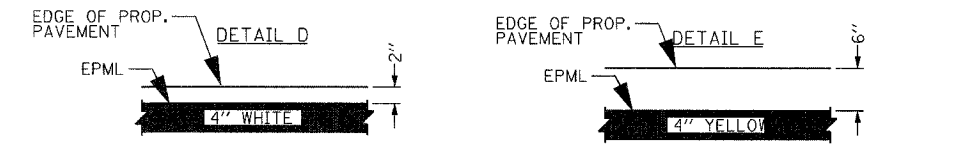


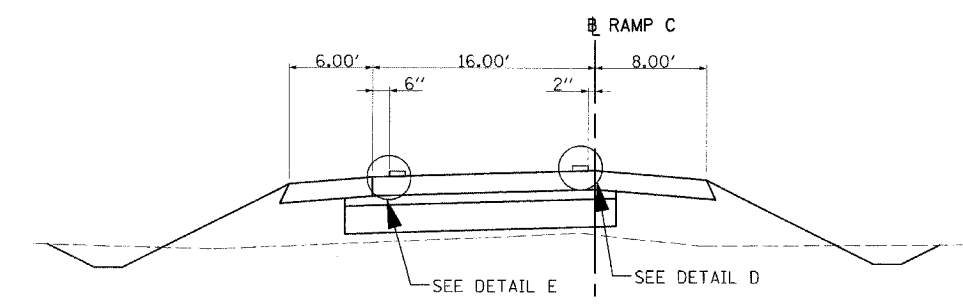
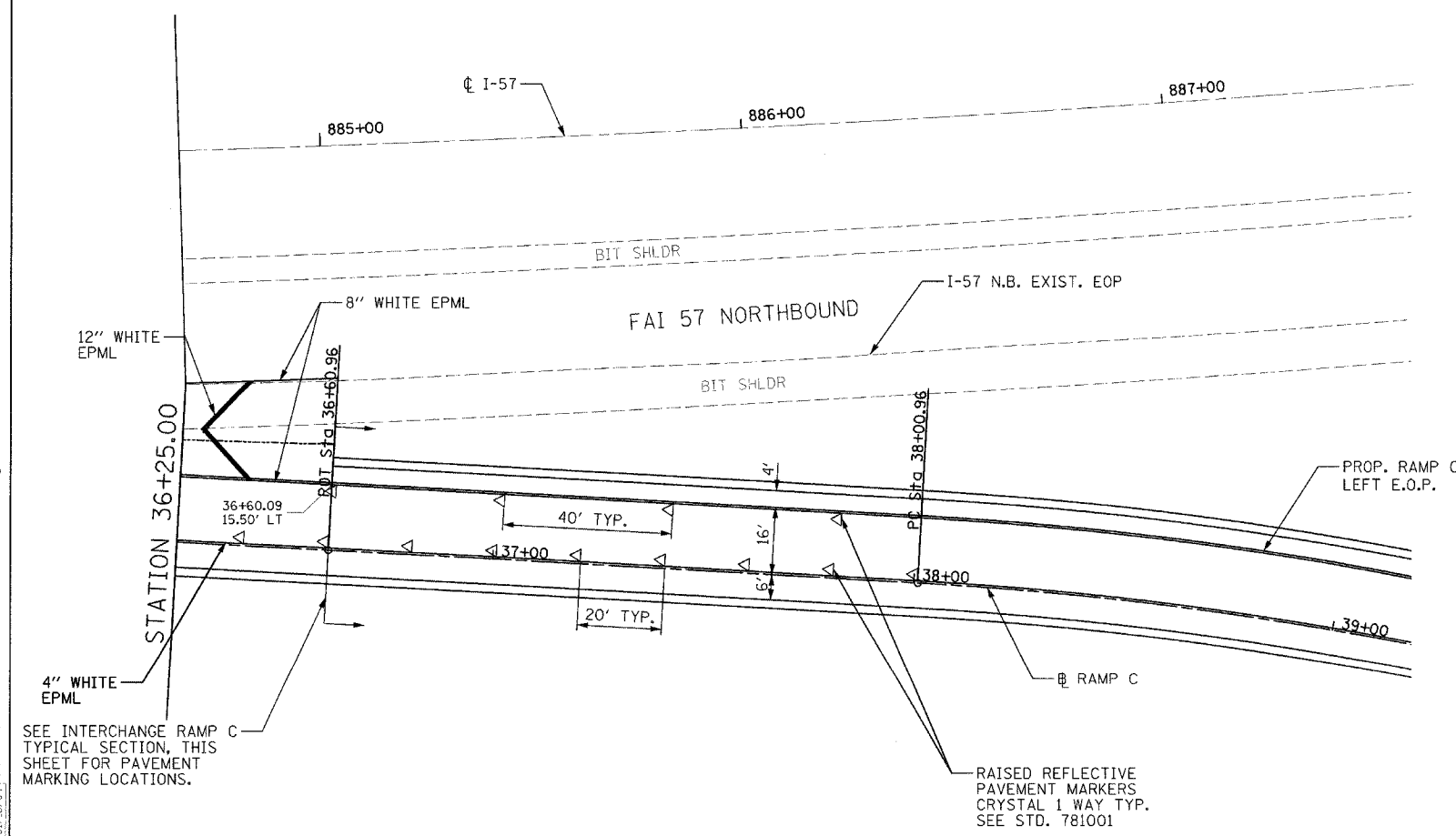
F.A. RTE.	SECTION	COUNTY	TOTAL SHEETS	SHEET NO.
642	99-00124-02-PV	COLES	229	75
STA.		TO STA.		
FED. ROAD DIST. NO.		ILLINOIS FED. AID PROJECT		



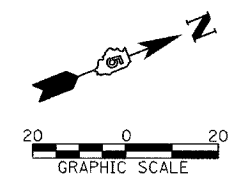
NOTE:
REMOVE EXISTING PAVEMENT MARKING ALONG THE E.O.P. OF I-57 FROM STA. 29+80.77 TO STA. 36+60.96, RAMP C



EPML = EPOXY PAVEMENT MARKING LINE



INTERCHANGE RAMP C
STA. 36+60.96 TO STA. 54+91.05



REVISIONS	
NAME	DATE

ILLINOIS DEPARTMENT OF TRANSPORTATION
RAMP C PAVEMENT MARKINGS
FAI-57, FAS 642
SEC NO. 15-23K, 99-00124-02-PV
COLES COUNTY, ILLINOIS

SCALE: 1"=20'
DATE 07/13/2005
DRAWN BY JAP
CHECKED BY SKM



© Copyright Hanson Professional Services Inc. 2005

LAYOUT SKM 03/28/03
DRAWN JAP 04/28/03
REVIEWED SKM 07/13/05
07/13/2005
1:59 JOBS 971820288b\Civil\Sheet\C-505PVT.C.dgn