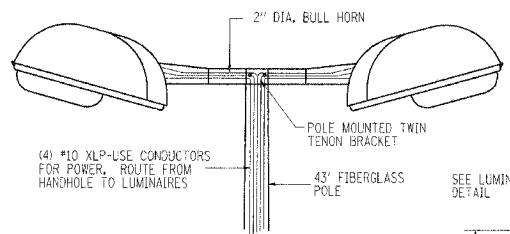
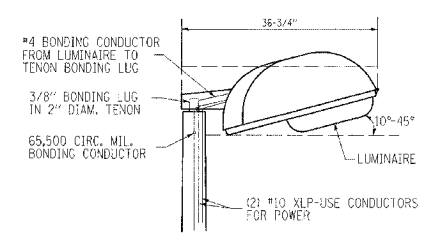


F.A.S. RTE.	SECTION	COUNTY	TOTAL SHEETS	SHEET NO.
642	99-00124-02-PV	COLES	229	79
STA. _____ TO STA. _____		FED. ROAD DIST. NO. _____ ILLINOIS FED. AID PROJECT		

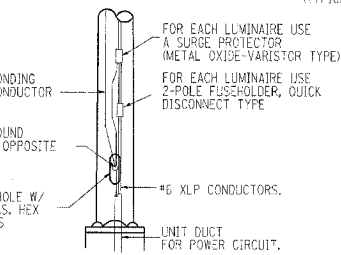


SHORT BRACKET TWIN LUMINAIRE DETAIL

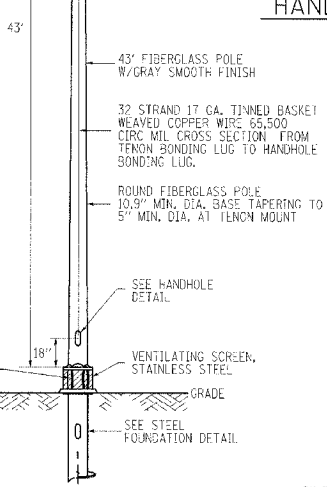


SINGLE LUMINAIRE DETAIL

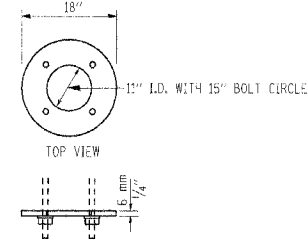
NOTE: TWIN LUMINAIRES TO BE MOUNTED ON BULL HORNS. LUMINAIRES MOUNTED AIMED 90° FROM EACH OTHER.



HAND HOLE DETAIL (SINGLE LUMINAIRE)

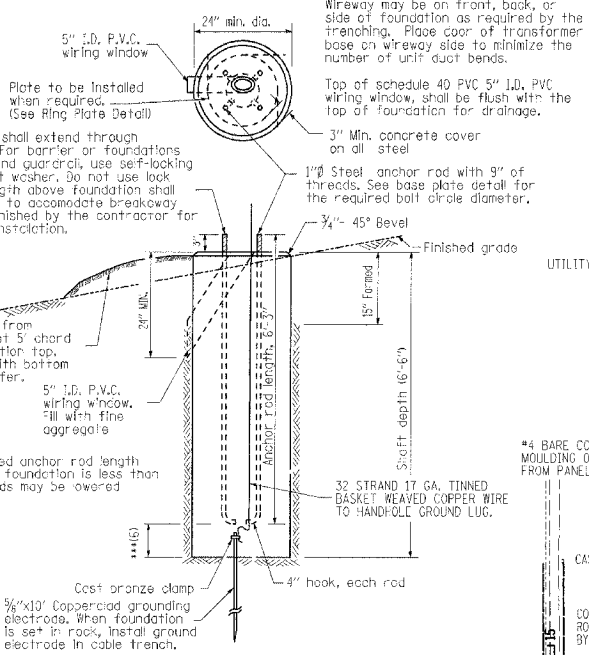


POLE BONDING DETAIL



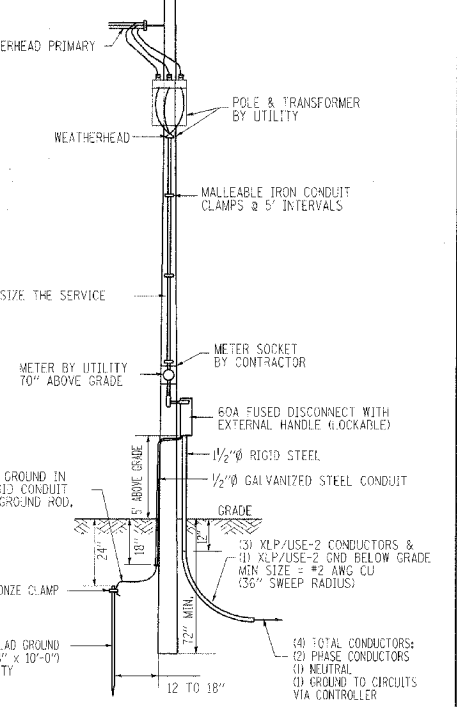
RING PLATE DETAIL

ONLY REQUIRED IF ROCK ENCOUNTERED AND A CONCRETE FOUNDATION MUST BE USED

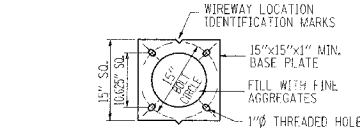


CONCRETE FOUNDATION

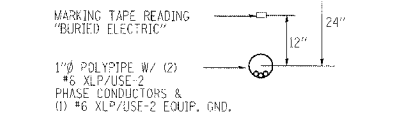
Note: Anchor rod only needed with a concrete foundation. When anchor rod is needed, specify per Standard Specifications.



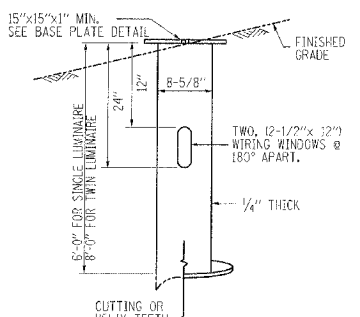
TRANSFORMER POLE / METER AND POLE DETAIL



BASE PLATE DETAIL

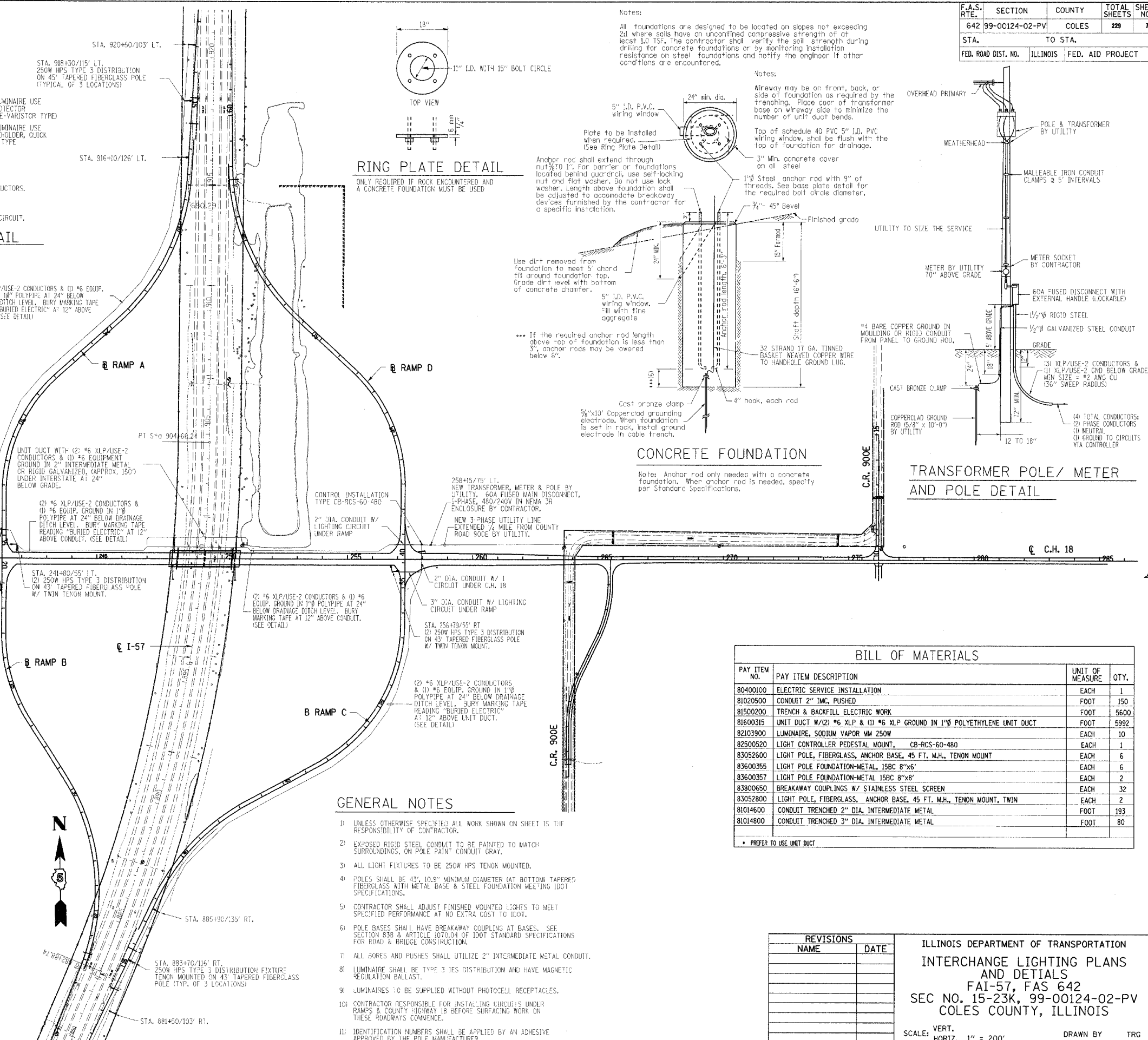


UNIT DUCT IN TRENCH DETAIL



STEEL FOUNDATION

STEEL FOUNDATIONS THAT ARE NOT INSTALLED TO FULL INSTALLATION DEPTH OR DO NOT ACHIEVE THE MINIMUM INSTALLATION TORQUE SHALL BE REMOVED AND REPLACED WITH A CONCRETE FOUNDATION AT NO ADDITIONAL COSTS TO I.D.O.T.



GENERAL NOTES

- UNLESS OTHERWISE SPECIFIED ALL WORK SHOWN ON SHEET IS THE RESPONSIBILITY OF CONTRACTOR.
- EXPOSED RIGID STEEL CONDUIT TO BE PAINTED TO MATCH SURROUNDINGS, ON POLE PAINT CONDUIT GRAY.
- ALL LIGHT FIXTURES TO BE 250W HPS TENON MOUNTED.
- POLES SHALL BE 43, 10.9" MINIMUM DIAMETER (AT BOTTOM TAPERED) FIBERGLASS WITH METAL BASE & STEEL FOUNDATION MEETING IDOT SPECIFICATIONS.
- CONTRACTOR SHALL ADJUST FINISHED MOUNTED LIGHTS TO MEET SPECIFIED PERFORMANCE AT NO EXTRA COST TO IDOT.
- POLE BASES SHALL HAVE BREAKAWAY COUPLING AT BASES. SEE SECTION 838 & ARTICLE 1070.04 OF IDOT STANDARD SPECIFICATIONS FOR ROAD & BRIDGE CONSTRUCTION.
- ALL BORES AND PUSHES SHALL UTILIZE 2" INTERMEDIATE METAL CONDUIT.
- LUMINAIRE SHALL BE TYPE 3 IES DISTRIBUTION AND HAVE MAGNETIC REGULATION BALLAST.
- LUMINAIRES TO BE SUPPLIED WITHOUT PHOTOCELL RECEPTACLES.
- CONTRACTOR RESPONSIBLE FOR INSTALLING CIRCUITS UNDER RAMP & COUNTY HIGHWAY 18 BEFORE SURFACING WORK ON THESE ROADWAYS COMMENCE.
- IDENTIFICATION NUMBERS SHALL BE APPLIED BY AN ADHESIVE APPROVED BY THE POLE MANUFACTURER.

PAY ITEM NO.	PAY ITEM DESCRIPTION	UNIT OF MEASURE	QTY.
80400100	ELECTRIC SERVICE INSTALLATION	EACH	1
81020500	CONDUIT 2" IMC, PUSHED	FOOT	150
81500200	TRENCH & BACKFILL ELECTRIC WORK	FOOT	5600
81600315	UNIT DUCT W/ (2) #6 XLP & (1) #6 XLP GROUND IN 1" POLYETHYLENE UNIT DUCT	FOOT	5992
82103900	LUMINAIRE, SODIUM VAPOR MM 250W	EACH	10
82500520	LIGHT CONTROLLER PEDESTAL MOUNT, CB-RCS-60-480	EACH	1
83052600	LIGHT POLE, FIBERGLASS, ANCHOR BASE, 45 FT. M.H., TENON MOUNT	EACH	6
83600355	LIGHT POLE FOUNDATION-METAL, 15BC 8"x6"	EACH	6
83600357	LIGHT POLE FOUNDATION-METAL 15BC 8"x8"	EACH	2
83800650	BREAKAWAY COUPLINGS W/ STAINLESS STEEL SCREEN	EACH	32
83052800	LIGHT POLE, FIBERGLASS, ANCHOR BASE, 45 FT. M.H., TENON MOUNT, TWIN	EACH	2
81014600	CONDUIT TRENCHED 2" DIA. INTERMEDIATE METAL	FOOT	193
81014800	CONDUIT TRENCHED 3" DIA. INTERMEDIATE METAL	FOOT	80

* PREFER TO USE UNIT DUCT

NAME	DATE

ILLINOIS DEPARTMENT OF TRANSPORTATION
 INTERCHANGE LIGHTING PLANS
 AND DETAILS
 FAI-57, FAS 642
 SEC NO. 15-23K, 99-00124-02-PV
 COLES COUNTY, ILLINOIS

SCALE: VERT. 1" = 200'
 HORIZ. 1" = 200'
 DATE 10/05/2005

DRAWN BY TRG
 CHECKED BY JPT