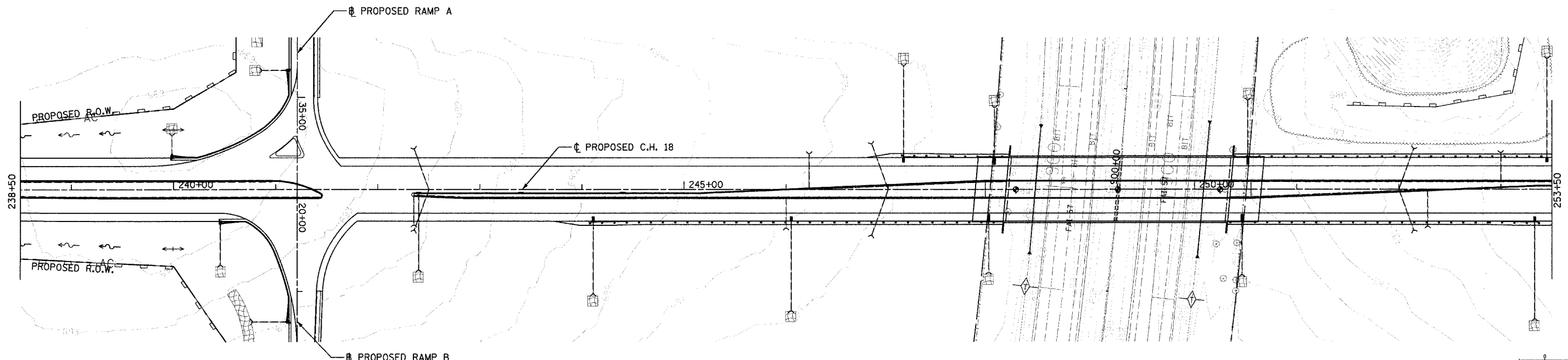
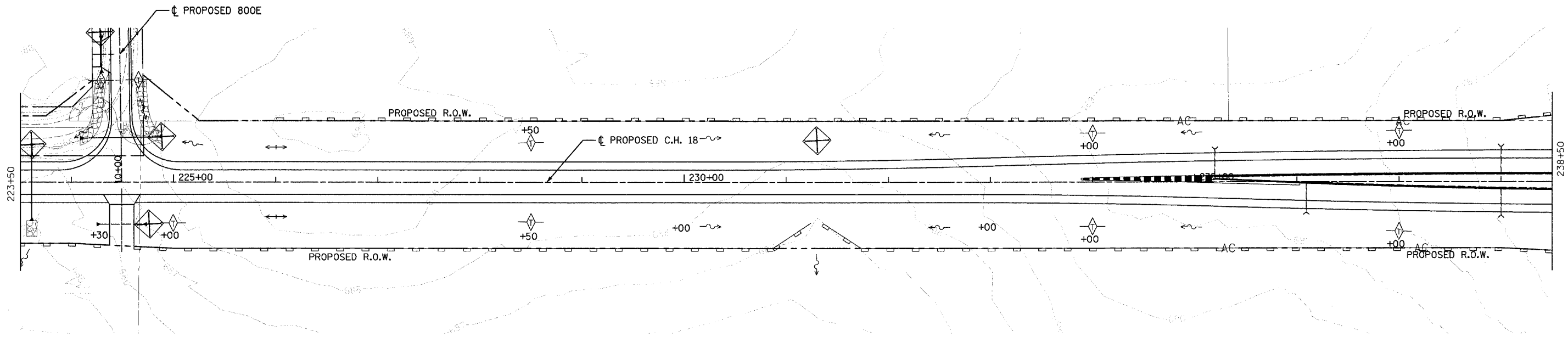


F.A.S. RTE.	SECTION	COUNTY	TOTAL SHEETS	SHEET NO.
642	99-00124-02-PV	COLES	229	93
STA. 223+50.00	TO STA. 253+50.00			
FED. ROAD DIST. NO.	ILLINOIS	FED. AID PROJECT		



INTENDED SEQUENCE

1. PLACE PERIMETER EROSION CONTROL BARRIER PRIOR TO COMMENCEMENT OF ANY WORK. SEE STD. 280001.
2. CONSTRUCT EARTHWORK, INCLUDING DITCHES. (MAXIMUM 10 ACRES DISTURBED AT ONE TIME PRIOR TO SEEDING. SEE ART. 280).
3. PLACE AND MAINTAIN TEMPORARY AND PERMANENT EROSION CONTROLS AS WORK PROGRESSES, SEED EVERY 7 DAYS. SEE ART. 280.
4. FINAL SHAPE, GRADE, AND PAVE ROADWAY.
5. PLACE REMAINING PERMANENT EROSION CONTROLS.

LEGEND

	EROSION CONTROL BLANKET
	PERIMETER EROSION BARRIER
	DITCH CHECK TEMPORARY
	INLET AND PIPE PROTECTION
	DITCH FLOW
	DITCH FLOW SUMMIT

EA.	L.F.	SQ.YD.
0	0'	145'
0	3450'	0
9	0'	0
4	0'	0

NOTE: SEE MISCELLANEOUS DETAIL SHEET NO. 116 FOR EROSION CONTROL BLANKET DETAIL.

REVISIONS	
NAME	DATE

ILLINOIS DEPARTMENT OF TRANSPORTATION
 EROSION CONTROL PLAN
 FAI-57, FAS 642
 SEC NO. 15-23K, 99-00124-03-PV
 COLES COUNTY, ILLINOIS

SCALE: HORIZ. - 1"=50'
 DATE 07/13/2005

DRAWN BY JAP
 CHECKED BY SKM



© Copyright Hanson Professional Services Inc. 2005

07/13/2005
 BUB 02/19/03
 JAP/JAP 02/23/03
 SKM 04/02/03