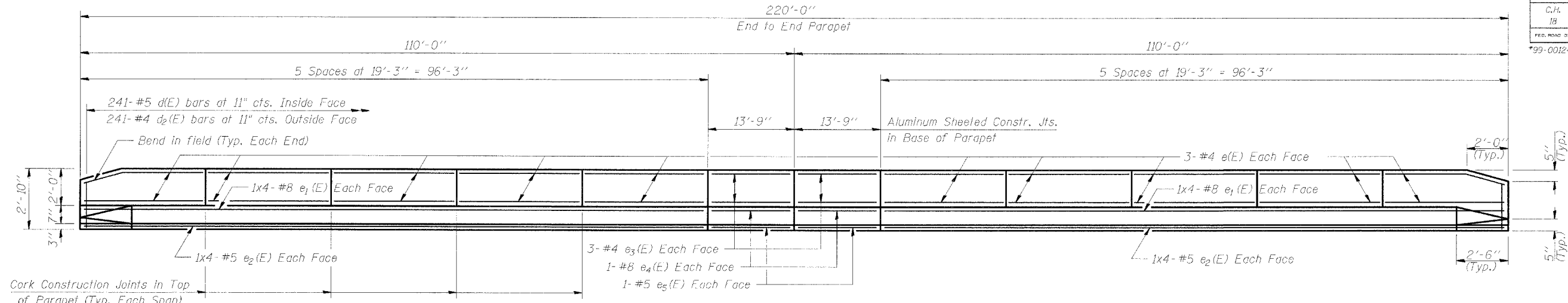


FIGURE NO.	SECTION	COUNTY	TOTAL SHEETS	SHEET NO.
C.H. 18	*	COLES	229	125
FED. ROAD DIST. NO. 7	ALL PAGES	FED. AID PROJECT		



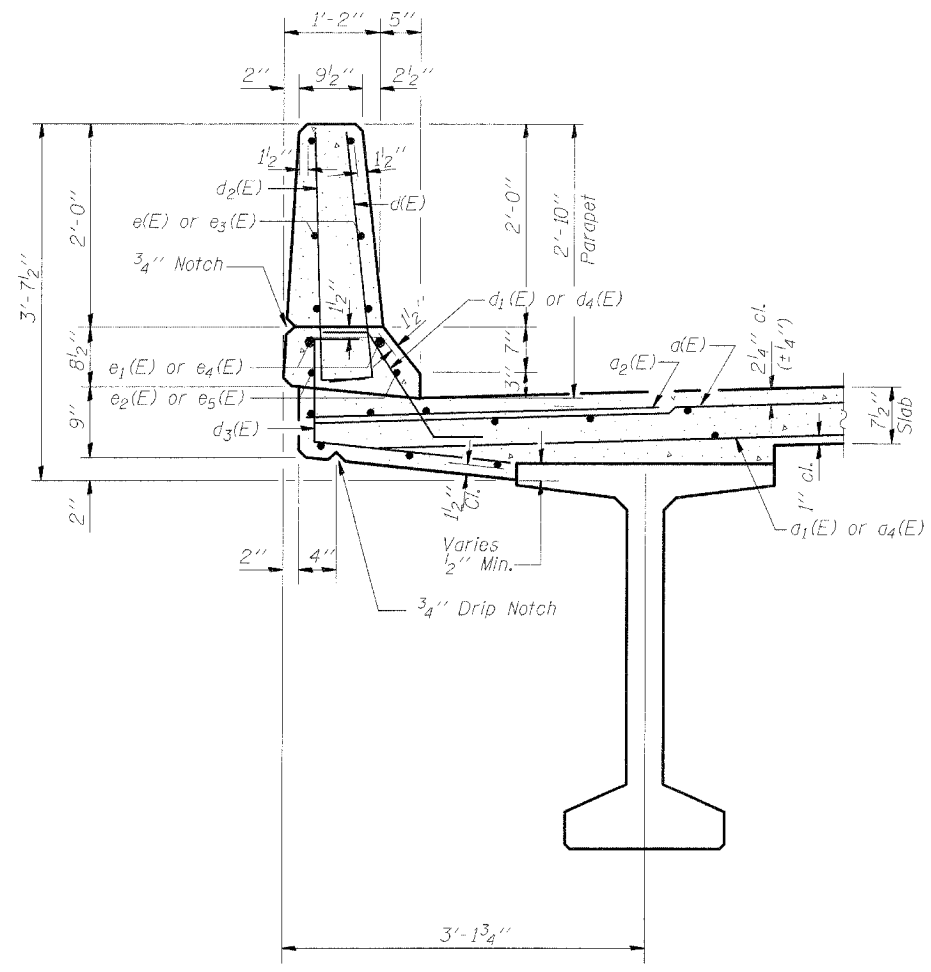
**INSIDE ELEVATION OF PARAPET**

Note: Bars indicated thus 1x2-#5 etc. indicates 1 line of bars with 2 lengths per line.

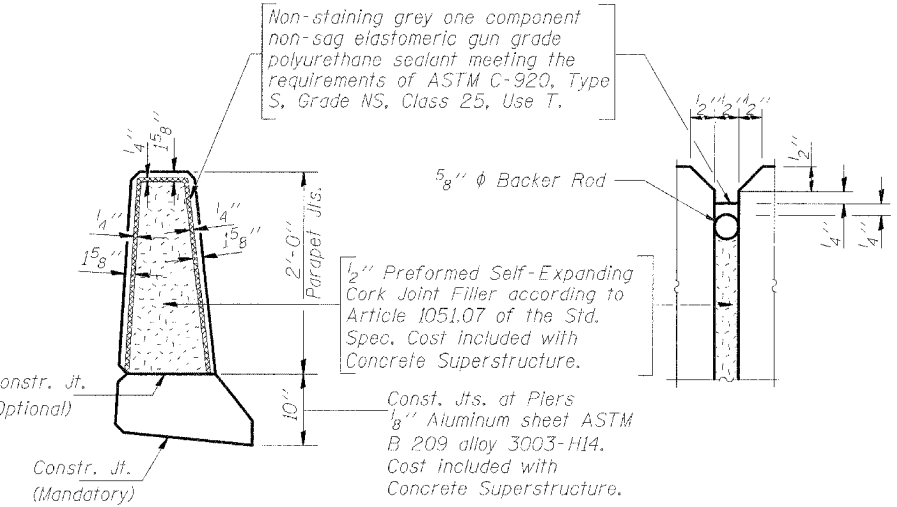
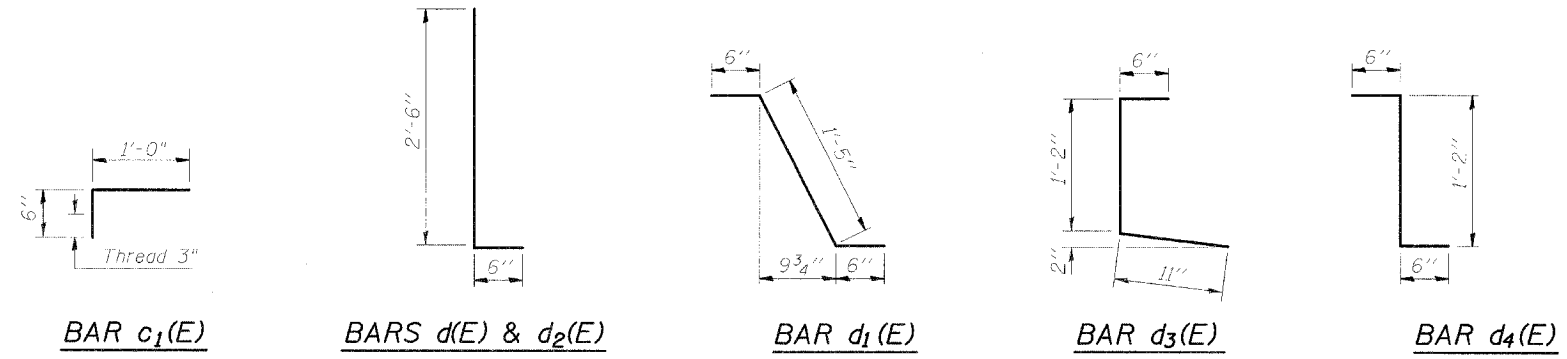
**SUPERSTRUCTURE BILL OF MATERIAL**

Bar	No.	Size	Length	Shape
a(E)	624	#5	33'-4"	—
a1(E)	265	#5	29'-3"	—
a2(E)	312	#6	4'-6"	—
a3(E)	8	#5	33'-8"	—
a4(E)	265	#5	35'-9"	—
b(E)	402	#5	29'-8"	—
b1(E)	134	#8	29'-9"	—
b2(E)	66	#8	44'-0"	—
b3(E)	558	#5	26'-5"	—
b4(E)	144	#5	29'-5"	—
c(E)	221	#5	16'-8"	—
c1(E)	442	#5	1'-6"	┌
d(E)	482	#5	3'-0"	┌
d1(E)	470	#5	2'-5"	┌
d2(E)	482	#4	3'-0"	┌
d3(E)	482	#4	2'-7"	┌
d4(E)	12	#5	2'-2"	┌
e(E)	120	#4	18'-11"	—
e1(E)	32	#8	27'-5"	—
e2(E)	32	#5	25'-8"	—
e3(E)	24	#4	13'-6"	—
e4(E)	8	#8	13'-6"	—
e5(E)	8	#5	13'-6"	—
m(E)	60	#6	9'-4"	—
m1(E)	36	#6	4'-1"	—
m2(E)	4	#6	1'-9"	—
m3(E)	36	#4	5'-9"	—
m4(E)	10	#8	6'-2"	—
m5(E)	24	#6	23'-8"	—
m6(E)	12	#6	23'-2"	—
s(E)	84	#5	14'-10"	┌
s1(E)	138	#5	5'-6"	┌
s2(E)	36	#5	14'-0"	┌
v(E)	128	#5	2'-9"	┌
Concrete Superstructure		Cu. Yds.	578.3	
Reinforcement Bars (Epoxy Coated)		Lbs.	112690	

Reinforcement bars designated (E) shall be epoxy coated.



**SECTION THRU PARAPET**



**PARAPET JOINT DETAILS**

**MIN. BAR LAPS**

- #4 Bar - 1'-8"
- #5 Bar - 2'-2"
- #6 Bar - 2'-7"
- #8 Bar - 4'-6"

Corporate License Number 184-001-084

**SUPERSTRUCTURE DETAILS**  
 COUNTY HIGHWAY 18 OVER F.A.I. RTE. 57  
 SECTION 99-00124-02-PV  
 COLES COUNTY  
 STATION 249+25.29  
 STRUCTURE NUMBER 015-0073

© Copyright Hanson Professional Services Inc. 2005



97S2028B  
DATE: 05/27/03

I:\97 JOBS\97s2028B\Struct\57\_Bridge\bridge.dgn 9/7/2005

LAYOUT	MM	03/24/03
DRAWN	DAP	03/25/03
REVIEWED	JWM	05/02/03