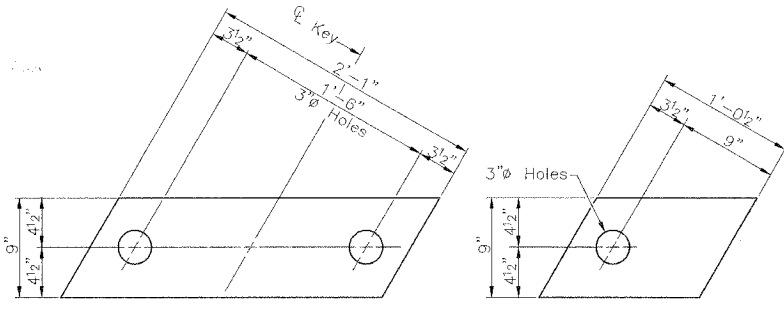


RTE.	SECTION	COUNTY	TOTAL SHEETS	SHEET NO.
C.H. 7	*	MENARD	9	5
PROJECT				

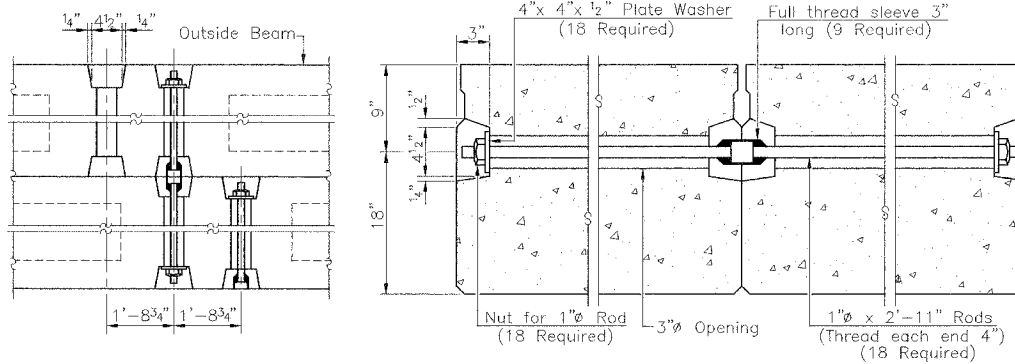
* 01-00050-00-BR



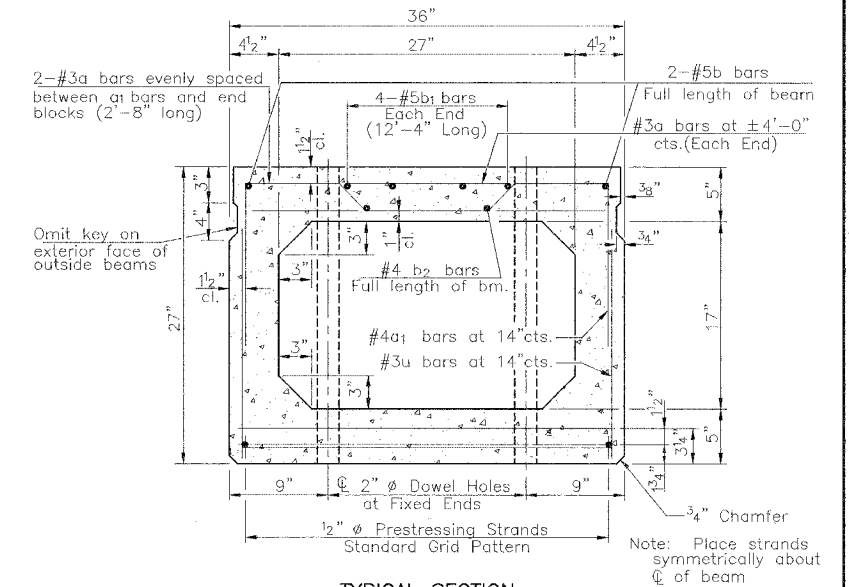
12" FABRIC BEARING PAD
Interior Wo
(16 Required)

12" FABRIC BEARING PAD
Exterior W
(8 Required)

FIXED

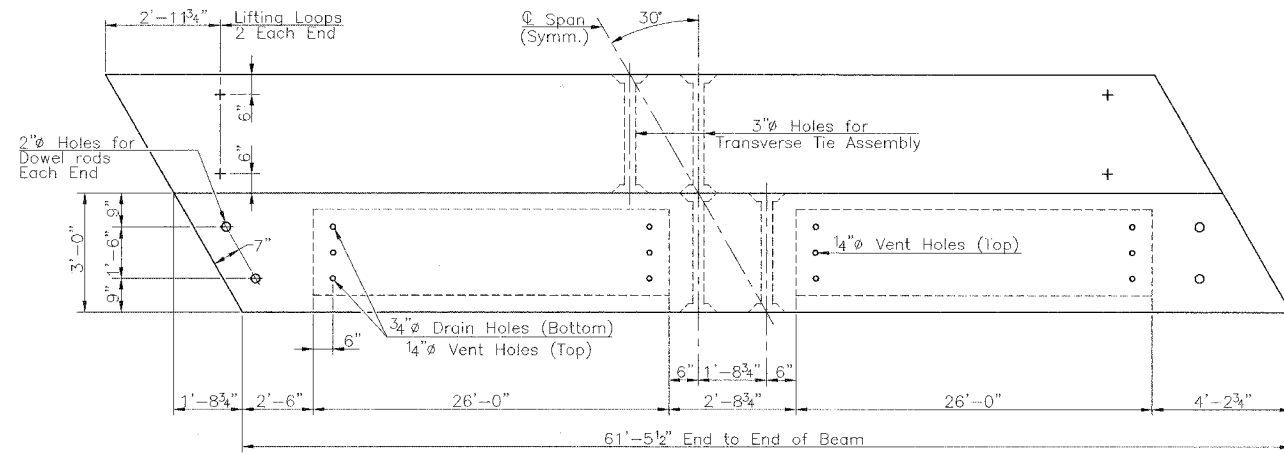


TYPICAL TRANSVERSE TIE ASSEMBLY

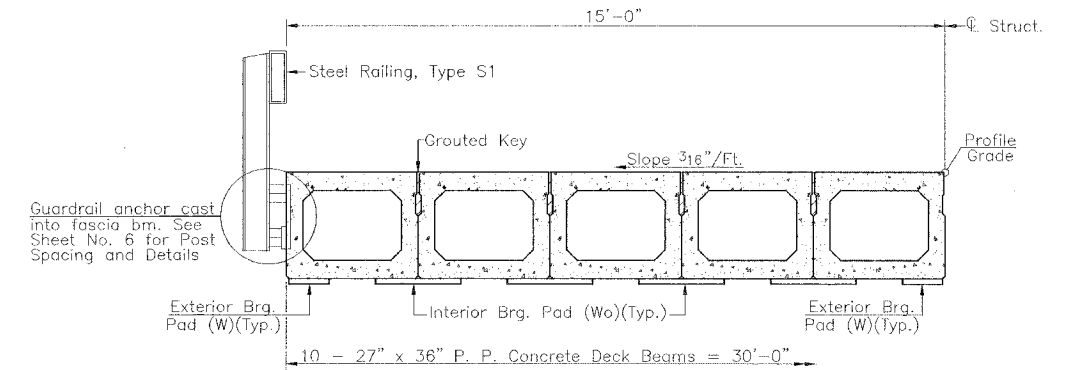


TYPICAL SECTION

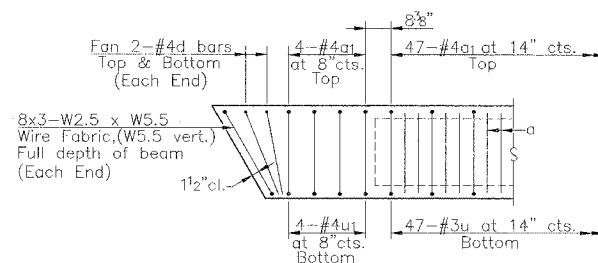
16 - 1/2" Strands, Each Strand Stressed to 28,900 Lbs.
6 - 1 3/4" up, 8 - 3 1/4" up, 2 - 7 1/2" up



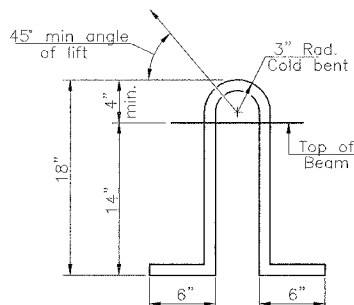
PLAN



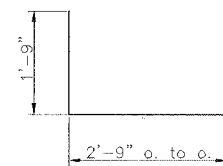
HALF CROSS SECTION



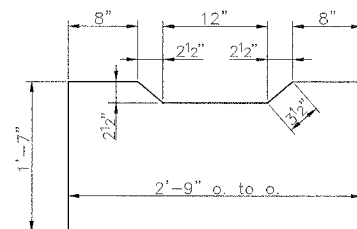
END ELEVATION



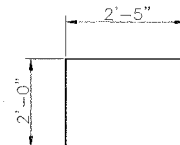
LIFTING LOOP DETAIL



BARS u & u1



BAR a1



BAR d

NOTES

- Prestressing steel shall be uncoated high strength, low relaxation 7-wire strand, Grade 270.
- The nominal diameter shall be 1/2" and the nominal cross-sectional area shall be 0.153 sq. in.
- Lifting loops shall be 3 - 1/2" - 270 k.s.i. strands as shown.
- The 1" rods in the transverse tie assembly shall be tightened to a snug fit and the threads set. Pockets that receive transverse tie bar on outside shall be filled with grout after transverse tie assembly is in place.
- Reinforcement bars shall conform to A.A.S.H.T.O. M-31, M-42 or M-53, Grade 60.
- The bearing seat surfaces shall be adjusted by shimming to assure firm and even bearing. Two 1/8" fabric adjusting shims of the dimensions of the Exterior Bearing Pad shall be provided for each bearing.
- Keyway surfaces shall be cleaned to remove form oil or other bond breaking material prior to shipment of the beams. Cleaning shall be done by sandblasting the keyway areas between top of the beams and the bottom edge of the key.
- Required Release Strength, f'ci, shall be 4000 p.s.i.
- Corrosion Inhibitor, as covered in the Special Provisions, shall be used in the concrete for Precast Prestressed Concrete Deck Beams.

BILL OF MATERIAL

BAR	NO.	SIZE	LENGTH	SHAPE
Precast Prestressed Concrete Deck Beams (27" Depth)			Sq. Ft.	1844

SUPERSTRUCTURE
F.A.S. 575 - C.H. 7
(N. PETERSBURG ROAD)
OVER LATIMORE CREEK
SECTION 01-00050-00-BR
MENARD COUNTY

FILE NAME: M250BM (REV. 8/20/04)