

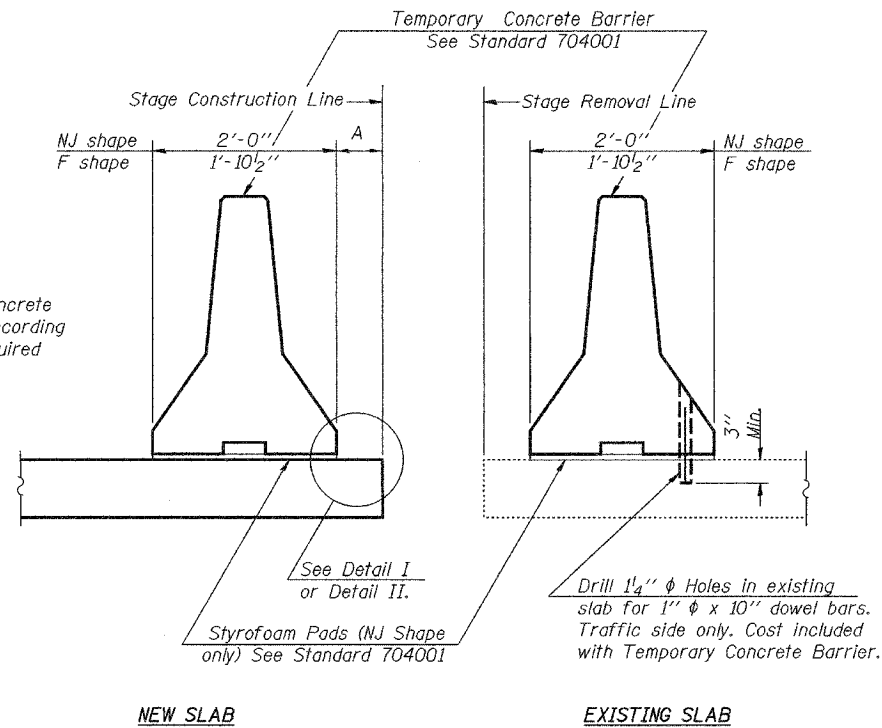
STATE OF ILLINOIS
DEPARTMENT OF TRANSPORTATION

ROUTE NO.	SECTION	COUNTY	TOTAL SHEETS	SHEET NO.
F.A.U. 328	109 BR-1	WHITE	21	12
FED. ROAD DIST. NO. 7	ILLINOIS	FED. AID PROJECT-		

SHEET NO. 3

12 SHEETS

Contract #94434

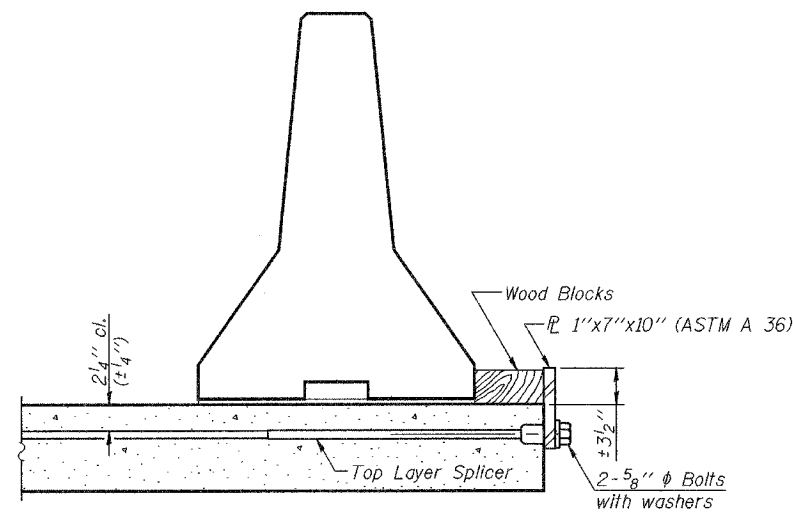


When "A" is 3'-6" or less, the temporary concrete barrier shall be anchored to the new slab according to Detail I or Detail II. No anchorage is required when "A" is greater than 3'-6".

NOTES

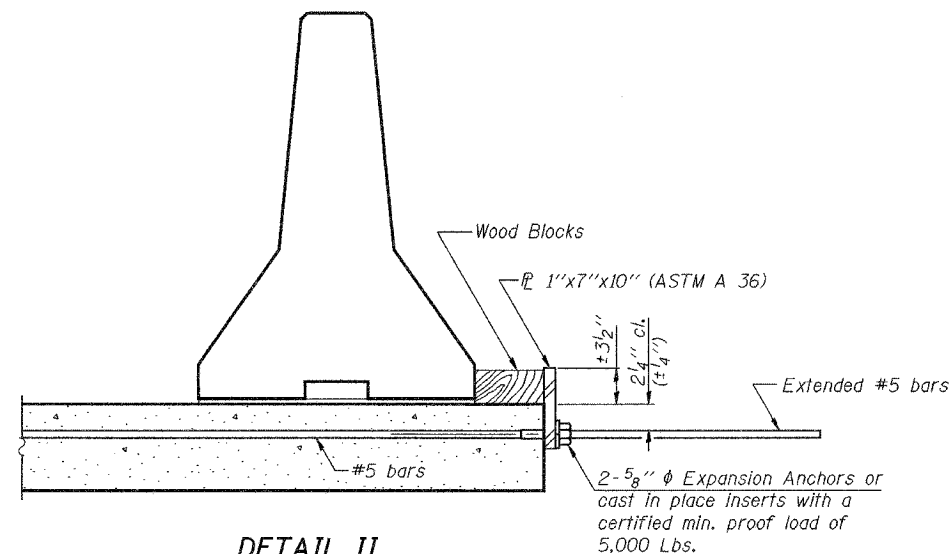
- Detail I - With Bar Splicer or Couplers:**
Connect one (1) 1"x7"x10" steel PL to the top layer of couplers with 2-5/8" φ bolts screwed to coupler at approximate CL of each barrier panel.
- Detail II - With Extended Reinforcement Bars:**
Connect one (1) 1"x7"x10" steel PL to the concrete slab with 2-5/8" φ Expansion Anchors or cast in place inserts spaced between the top layer of reinforcement at approximate CL of each barrier panel.
Cost of anchorage is included with Temporary Concrete Barrier.

SECTIONS THRU SLAB



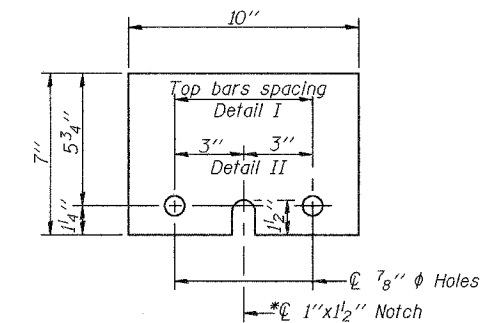
DETAIL I

The 1"x7"x10" Plate shall not be removed until Stage II Construction forms and reinforcement bars are in place.



DETAIL II

The 1"x7"x10" Plate shall not be removed until Stage II Construction forms and all reinforcement bars are in place and the concrete is ready to be placed.



1"x7"x10"
*Required only with Detail II

DESIGNED	Patrick M Petrone
CHECKED	Phillip R Litchfield
DRAWN	R. Sommer
CHECKED	PMP/PRL

EXAMINED	Thomas J. Domagalaki	November 10, 2005
PASSED	Ralph E. Anderson	

R-27 10-22-04

TEMPORARY CONCRETE BARRIER
FOR STAGE CONSTRUCTION
F.A.P. RT. 328 SEC. 109B-1
WHITE COUNTY
STATION 74+70.00
STRUCTURE No. 097-2012