

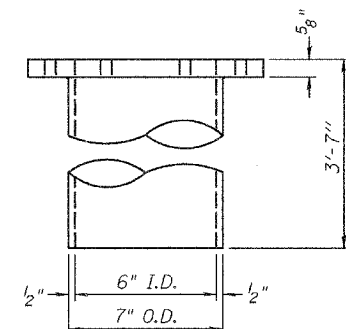
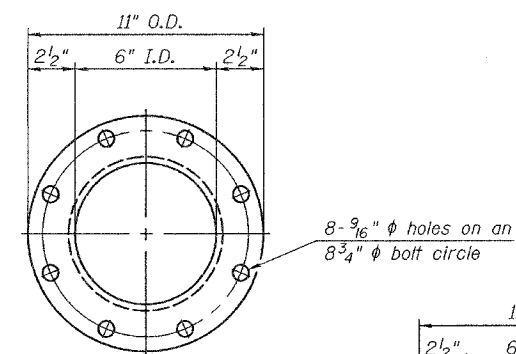
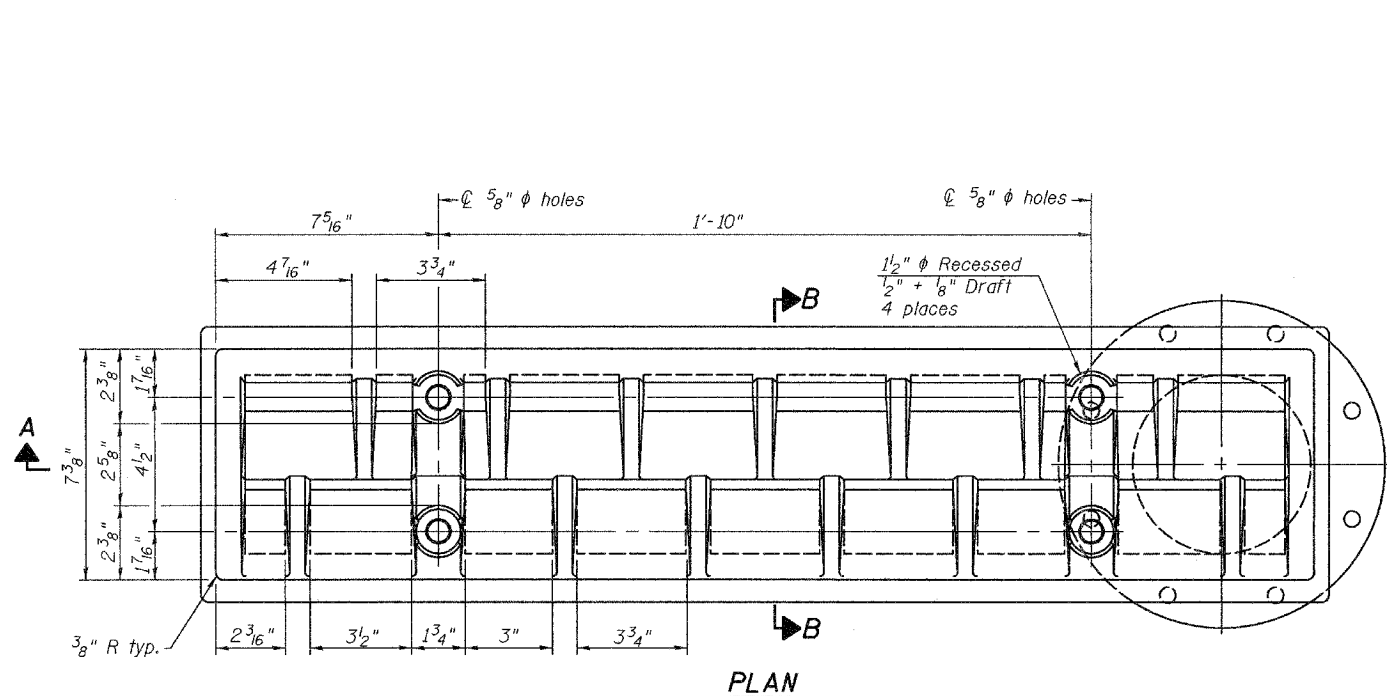
STATE OF ILLINOIS  
DEPARTMENT OF TRANSPORTATION

ROUTE NO.	SECTION	COUNTY	TOTAL SHEETS	SHEET NO.
F.A.P. 781	108B-1	CRAWFORD	38	19
FED. ROAD DIST. NO. 7	ILLINOIS	FED. AID PROJECT		

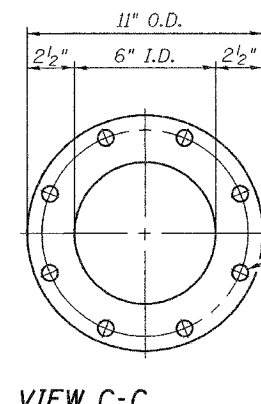
SHEET NO. 10

16 SHEETS

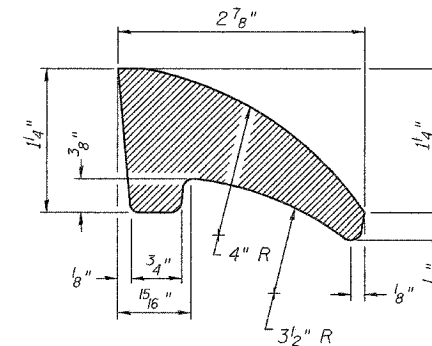
Contract #94656



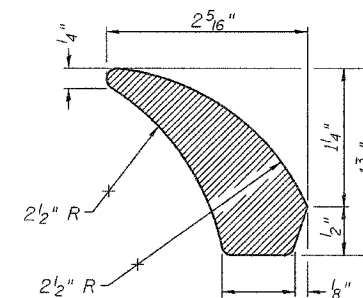
DOWNSPOUT



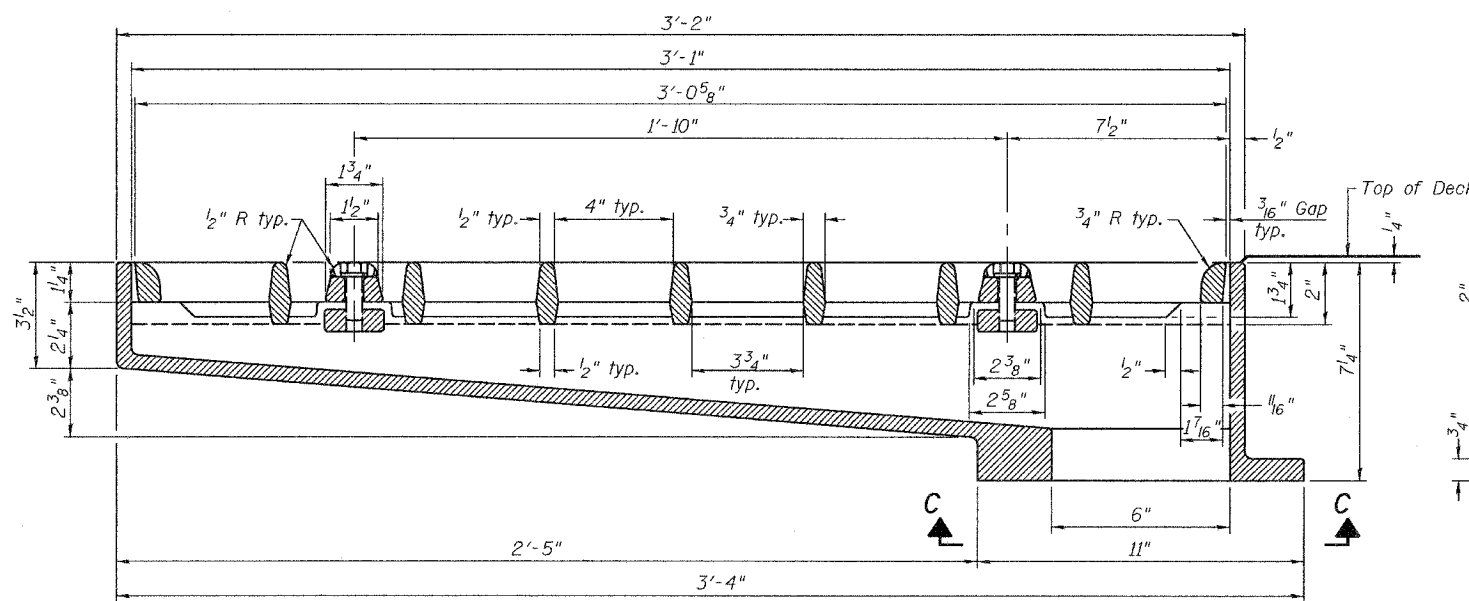
VIEW C-C



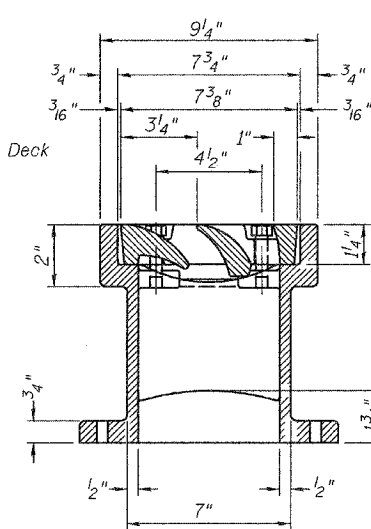
FIRST VANE DETAIL



SECOND VANE DETAIL

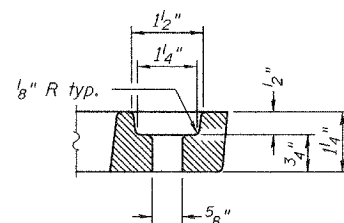


SECTION A-A  
See sheet 7 of 16 for scupper location relative to parapet.



SECTION B-B

Notes:  
 All cast iron parts shall be gray iron conforming to the requirements of AASHTO M 105, Class 35B.  
 Bolts, anchor studs, washers and nuts shall conform to the requirements of ASTM A 307 and shall be galvanized according to AASHTO M 232.  
 The grate, frame and downspout shall be galvanized according to AASHTO M 111 and ASTM A 385. Downspouts located on the exterior side of a painted steel fascia beam shall be painted with the finish coat specified for the exterior side of the fascia beam.  
 As an alternate, bolts, anchor studs, washers and nuts may be stainless steel according to Article 1006.29(d) of the Standard Specifications.  
 Structural steel weldments of equal sections and of the same configuration may be substituted for cast iron. Fillet or full penetration welds shall be used for the weldments. Details shall be submitted to the Engineer for approval.  
 The Contractor shall take appropriate measures to assure that Protective Coat is not applied to the scupper.  
 Cost of the Grate, Frame, Downspout, Anchor Studs, Bolts, Washers and Nuts including complete installation of the scupper shall be paid for at the contract unit price each for Drainage Scupper, DS-33.



BOLT HOLE DETAIL

DESIGNED	W. Beisner
CHECKED	Chi-Cheung Chau
DRAWN	R. Dalsin
CHECKED	C.C.C./S.J.B./S.M.R.

December 13 2005  
 EXAMINED *Thomas J. Demagala*  
 PASSED *Ralph E. Anderson*  
 ENGINEER OF BRIDGES AND STRUCTURES

8/1/2000

BILL OF MATERIAL

ITEM	UNIT	QUANTITY
Drainage Scupper, DS-33	Each	1

DRAINAGE SCUPPER, DS-33  
 F.A.P. ROUTE 781 - SECTION 108B-1  
 CRAWFORD COUNTY  
 STATION 545+80.00  
 STRUCTURE NO. 017-0030