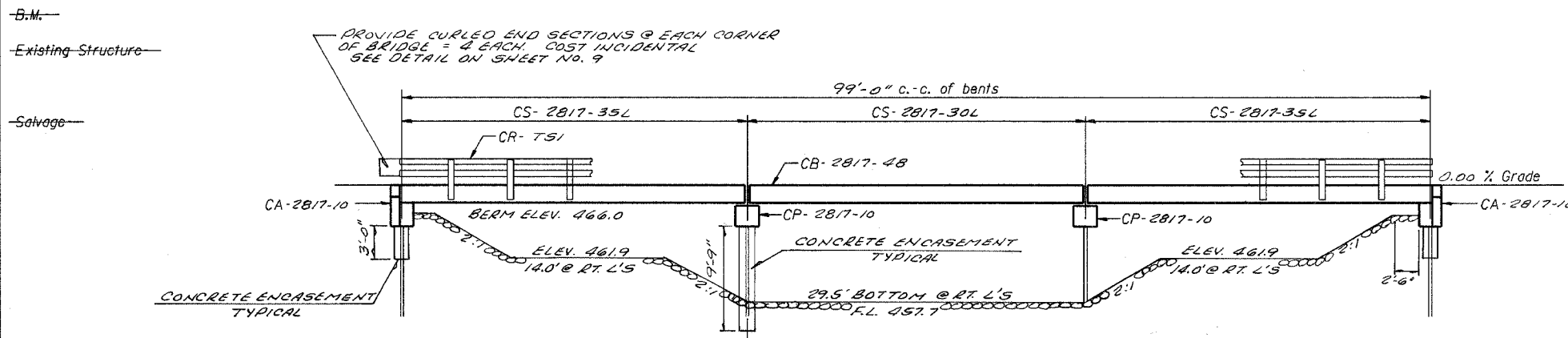


ROUTE NO.	SECTION	COUNTY	SHEET NO.	TOTAL SHEETS
	*	CRAWFORD	11	3
FED. ROAD DIST. NO. 1				
ILLINOIS FED. AID PROJECT				
* 05-02114-00-BR				



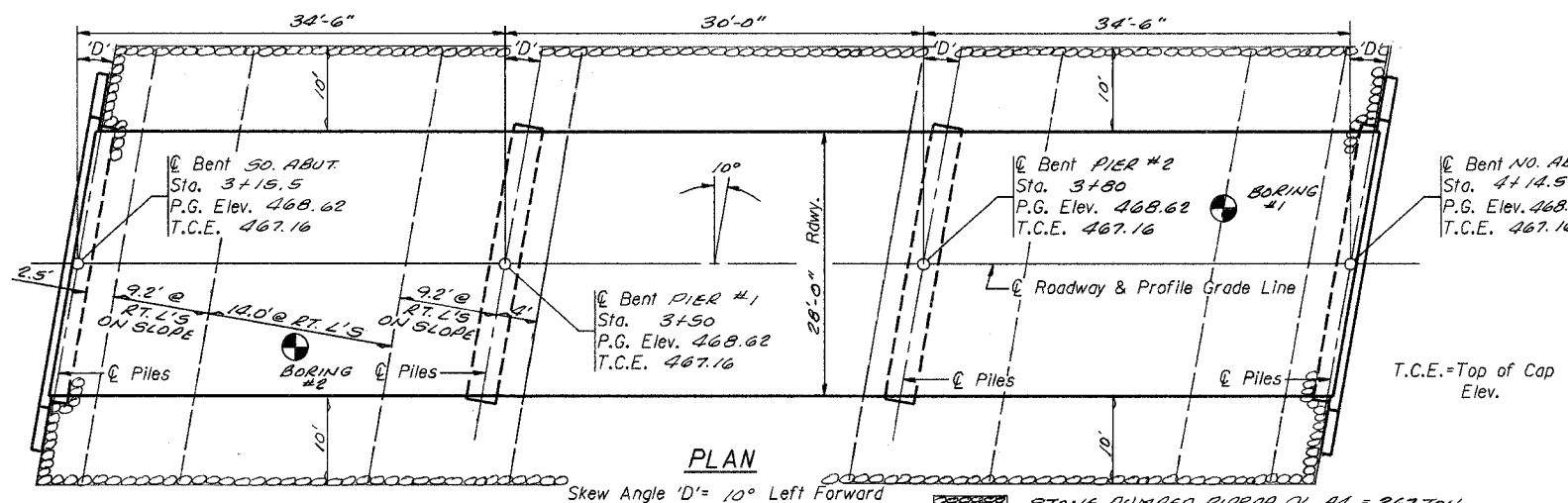
ELEVATION

GENERAL NOTES

- The Contractor shall drive 2 test piles, as specified, in a permanent location as directed by the Engineer before ordering the remaining piles.
- See Special Provisions for boring logs.
- A Corrosion-Inhibitor, as covered in the Special Provisions, shall be used in the concrete for precast prestressed concrete deck beams.

TOTAL BILL OF MATERIAL

Item	Unit	Super	Sub.		Total
			Piers	Abuts.	
Removal of Existing Structures	Each				1
Bituminous Concrete Surface Course, Superpave	Ton				
Waterproofing Membrane System	Sq. Yd.				
Concrete Structures	Cu. Yd.		17.2	19.0	36.2
Precast Prestressed Concrete Deck Beams (17" Depth)	Sq. Ft.	2800			2800
Steel Bridge Rail, Type SM	Foot				
Steel Railing, Type S-1	Foot	200			200
Reinforcement Bars	Pound		1760	2500	4260
Furnishing STEEL PILES HP 10 x 42	Foot		198	198	396
Driving STEEL PILES	Foot		198	198	396
Test Piles STEEL HP 10 x 42	Each		1	1	2
Name Plates	Each				1
Concrete Encasement	Cu. Yd.		8.4	2.6	11.0
Portland Cement Mortar Fairing Course	Foot				
STONE DUMPED RIPRAP CL A4	TON				267
FILTER FABRIC	SQ. YD.				533
METAL SHOES	EACH		10	10	20



PLAN

DESIGN SPECIFICATIONS

2002 AASHTO Standard Specifications - 17th ed.

LOADING HS20-44

Allow 25#/sq. ft. for future wearing surface.

SEISMIC DATA

Seismic Performance Category (SPC) =
Bedrock Acceleration Coefficient (A) =
Site Coefficient (S) =

PILE DATA (2-PIERS)

Type STEEL HP 10 x 42 W/METAL SHOES
Capacity Tons REFUSAL
Estimated Length Feet 22
Number Required 10 (Includes 1 Test Pile located in Bent #1 PIER #2)

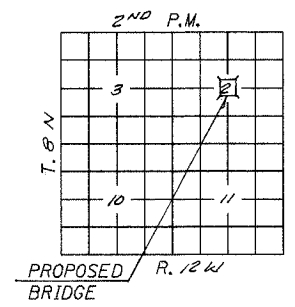
PILE DATA (2-ABUTS.)

Type STEEL HP 10 x 42 W/METAL SHOES
Capacity Tons REFUSAL
Estimated Length Feet 22
Number Required 10 (Includes 1 Test Pile located in Bent #1 SO. ABUT)

STATION 3+65
RACCOON CREEK
SEC. 05-02114-00-BR BUILT 20
PROJECT NO. BR05-033 (41)
CRAWFORD COUNTY
LOADING HS20
STR. NO. 017-3280

LETTERING FOR NAME PLATE

Locate Name Plate at SOUTHEAST Corner of Bridge (See Std. CN)



LOCATION SKETCH

WATERWAY INFORMATION

Drainage Area = 9.68 SQ. MI. Low Grade Elev. = 468.62 @ Sta. 3+65

Flood Yr.	Q C.F.S.	Opening Sq. Ft. Exist.	Prop.	Nat. H.W.E. Exist.	Prop.	Head - Ft. Exist.	Prop.	Headwater El. Exist.	Prop.
Design	15	1845	38,294	48,302	465.8	0.8	0.9	466.0	466.2
Base	100	2960	48,304	61,790	466.4	0.9	0.9	467.3	467.3
Overtopping									
Max. Calc.	500	3868			466.8	0.9	1.6	467.7	468.4

INDEX OF SHEETS

- General Plan & Elevation
- Standard CS-2817-30L
- Standard CS-2817-35L
- Standard CB-2817-48
- Standard CA-2817-10
- Standard CP-2817-10
- Standard CR-751
- Standard CN
- Standard CX-1

GENERAL PLAN & ELEVATION

TR ROUTE 226

OVER RACCOON CREEK

SECTION 05-02114-00-BR

CRAWFORD COUNTY

STATION 3+65