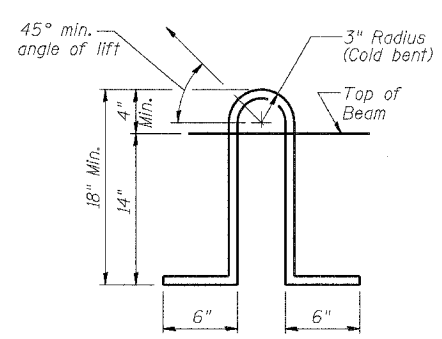
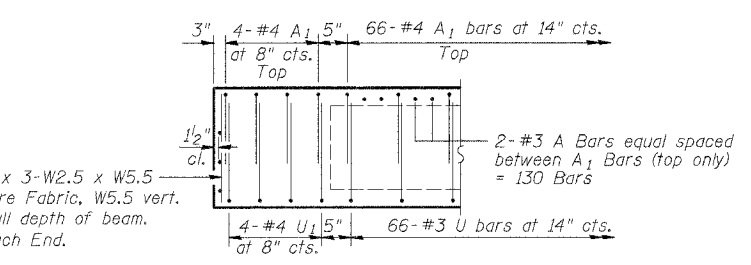
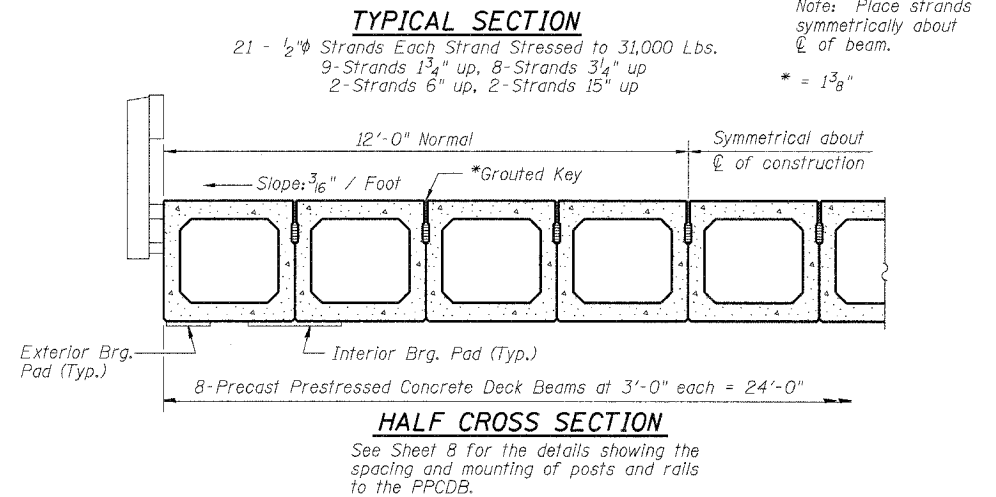
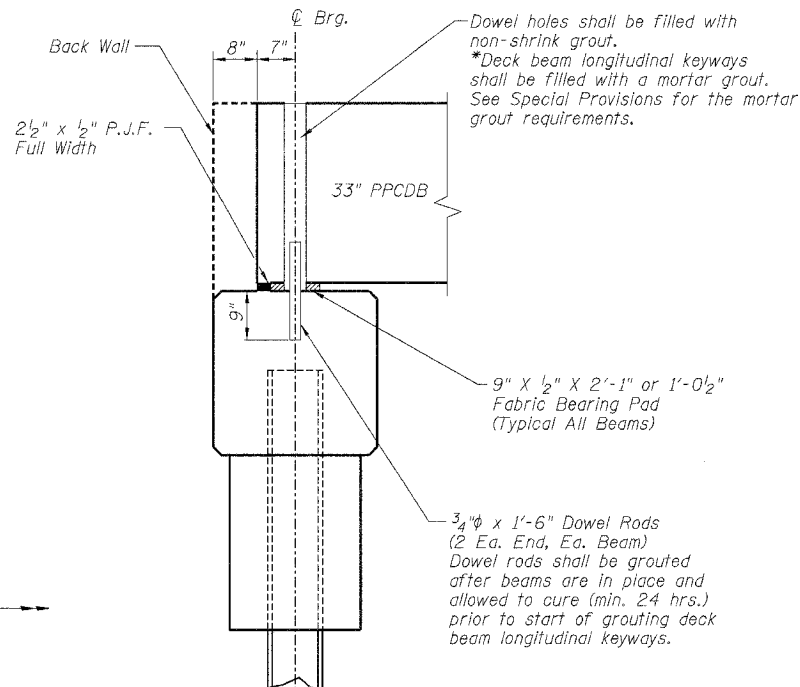
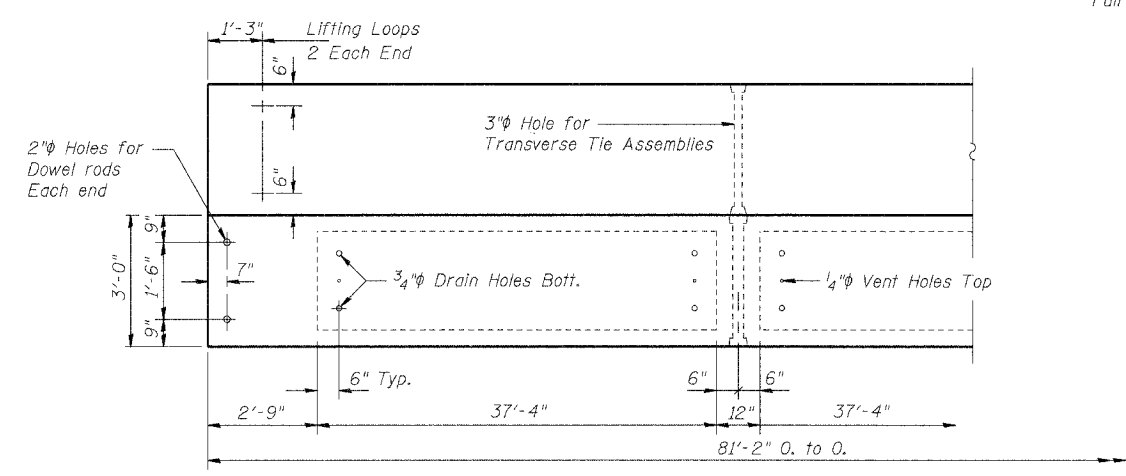
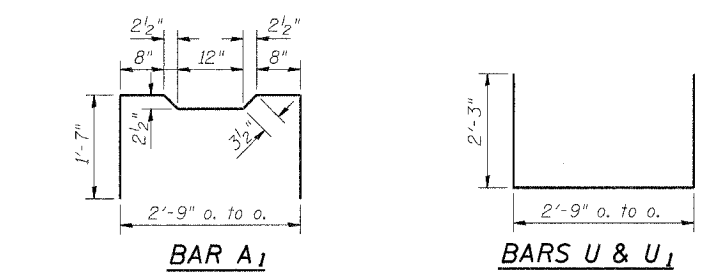
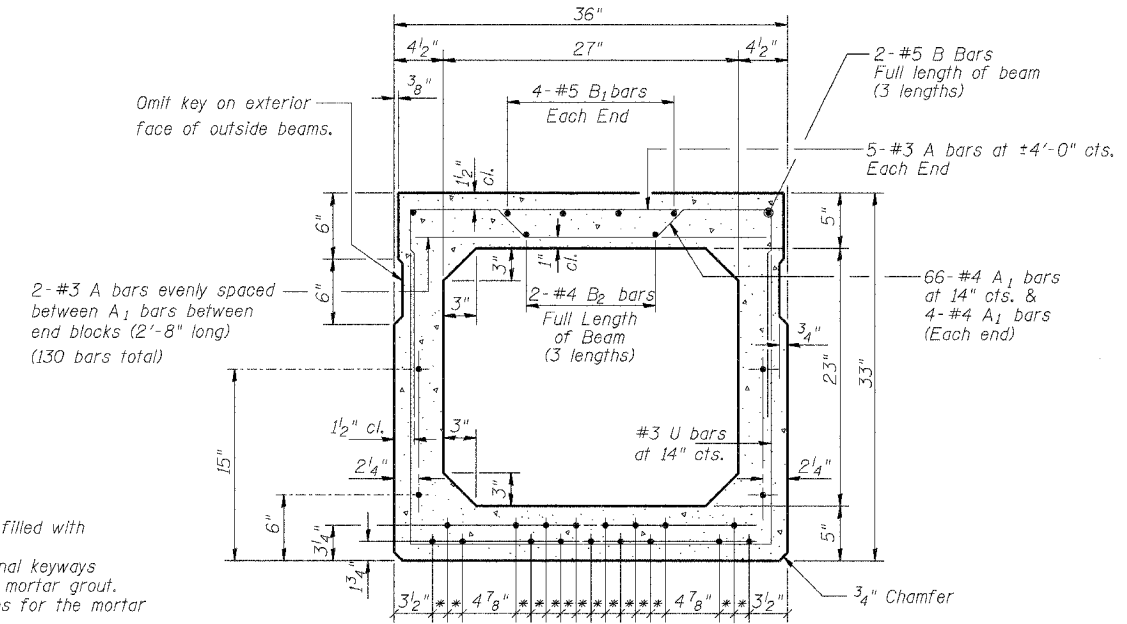
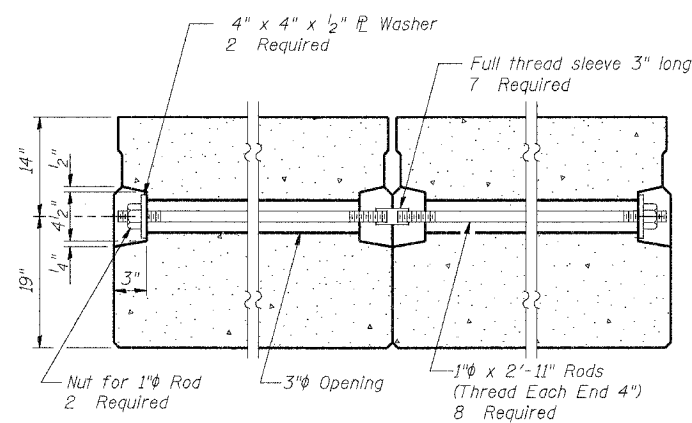
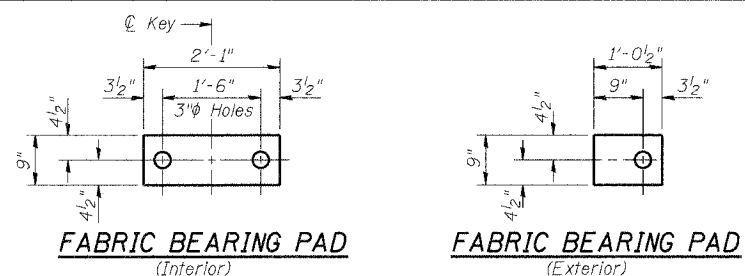


ROUTE	SECTION	COUNTY	TOTAL SHEETS	SHEET NO.
TR 179	85-09110-01-BR	CLAY	9	7
FED. ROAD DIST. NO. 7		ILLINOIS	FED. AID PROJECT	
CONTRACT NO. 95450				



**RESTRAINED BEARING ABUTMENT**

**NOTES**

Prestressing steel shall be uncoated high strength, Low-relaxation 7-wire strand, Grade 270. The nominal diameter shall be 1/2" and the nominal cross-sectional area shall be 0.153 sq. in. Lifting loops shall be 4 - 1/2" - 270 ksi strands, as shown. The 1" rods in the transverse tie assembly shall be tightened to a snug fit and the threads set. Pockets that receive transverse tie bar on outside shall be filled with grout after transverse tie assembly is in place. Reinforcement bars shall conform to the requirements of AASHTO M-31, M-42 or M-53 Grade 60. The bearing seat surfaces shall be adjusted by shimming to assure firm and even bearing. Two 1/8" fabric adjusting shims of the dimensions of the Exterior Bearing Pad shall be provided for each bearing. Keyway surfaces shall be cleaned to remove form oil or other bond breaking material prior to shipment of the beams. Cleaning shall be done by sandblasting the keyway areas between top of the beam and the bottom edge of the key. Required Release Strength, f'ci, shall be 5000 p.s.i. (minimum). Low-relaxation strands are required.

**BILL OF MATERIAL ONE BEAM**

Bar	No.	Size	Length	Shape
A	140	#3	2'-8"	—
A1	74	#4	6'-1"	—
B	6	#5	29'-0"	—
B1	8	#5	16'-3"	—
B2	6	#4	28'-6"	—
U	66	#3	7'-3"	—
U1	8	#4	7'-3"	—
Precast Prestressed Concrete Deck Beams			Sq. Ft.	243.50
** Reinforcement Bars			Pound	1100
Total Weight Each Beam			Pound	53560

\*\*Weight does not include W.W.F.

**PRECAST PRESTRESSED CONCRETE DECK BEAM DETAILS**  
**PROPOSED BRIDGE OVER WET WEATHER CREEK**  
 TR 179  
 SECTION 85-09110-01-BR  
 CLAY COUNTY, ILLINOIS