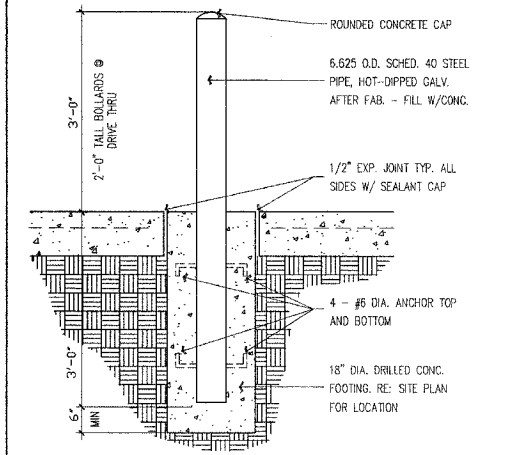


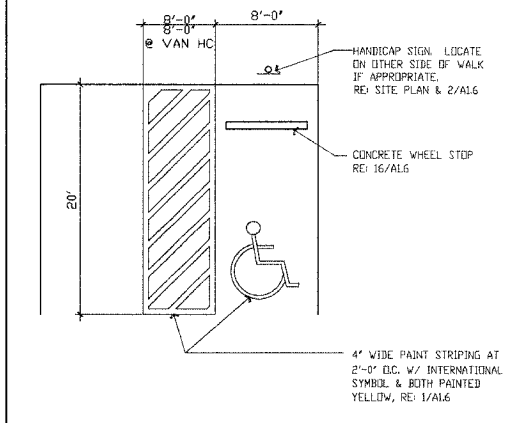
JOHN A. SHORTAL,
ARCHITECT, LTD.
608 POPLAR STREET
JERSEYVILLE, ILLINOIS 62052
(618) 779-2740

**CITY OF
GRAFTON**
GRAFTON, IL 62037

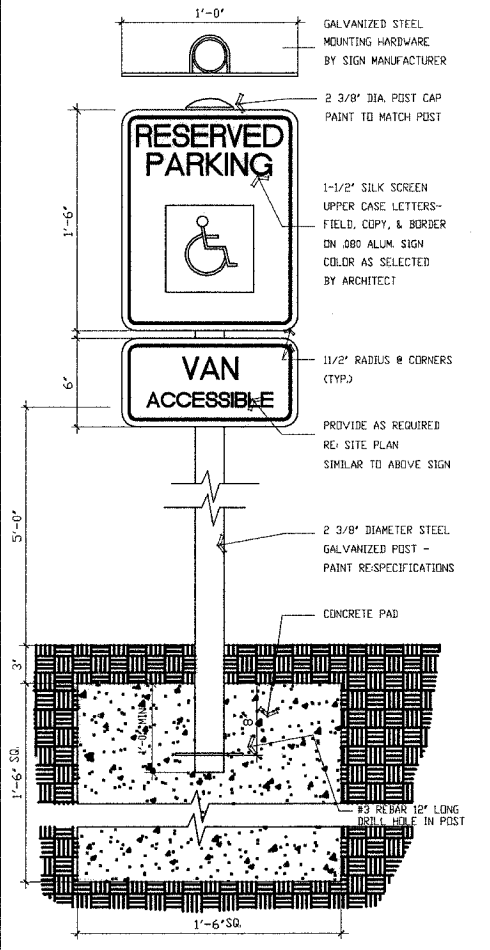
GRAFTON HARBOR
MARINA PROJECT
RESTROOM BUILDING
215 W. WATER STREET
GRAFTON, IL 62037



11 BOLLARD N.T.S.



7 HANDICAP PARKING N.T.S.

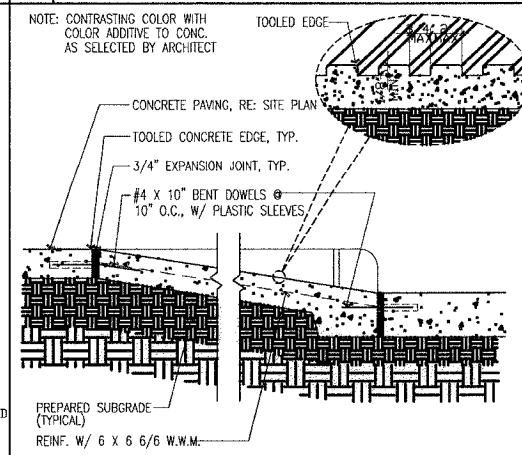


2 HANDICAP SIGN N.T.S.

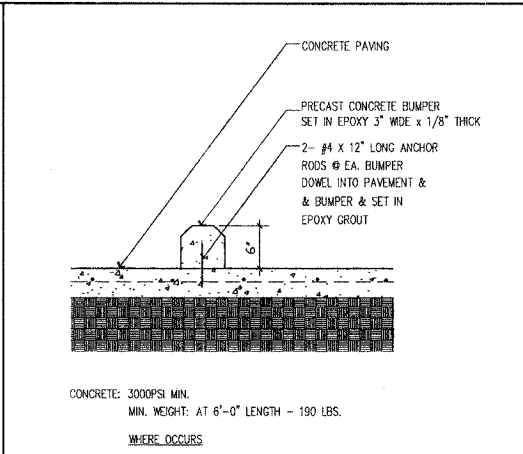
AREA	CONCRETE THICKNESS	COMMENTS
SIDEWALKS AND ENTRY WALKS	4"	6 X 6 #6 W.W.M. FLAT (NOT ROLLED)
PARKING AREA	6" SURFACE	8" AGGREGATE BASE

NOTE: SAND FILL WILL NOT BE ALLOWED AS A SUBGRADE MATERIAL BELOW VEHICULAR (AUTO, PARKING,) PAVING.

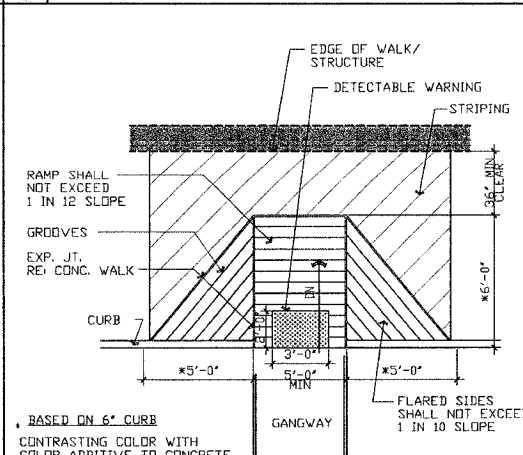
8 PAVING + WALK SCHEDULE



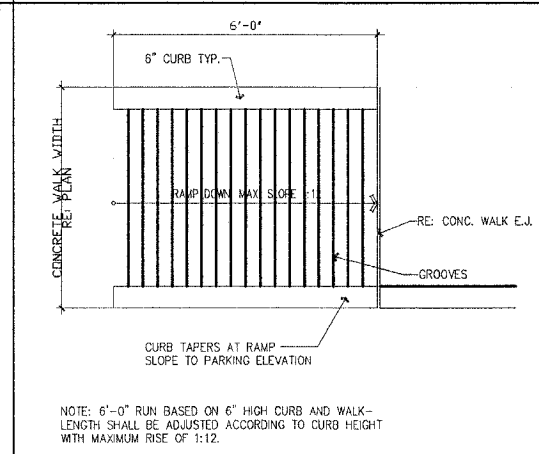
4 ACCESSIBLE RAMP 1/4" = 1'-0"



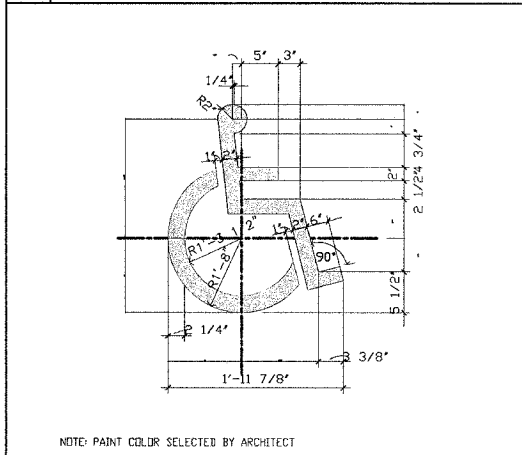
9 CONC. WHEEL STOP 1" = 1'-0"



3 ACCESSIBLE RAMP 1" = 1'-0"



10 ACCESSIBLE RAMP PLAN 1/2" = 1'-0"



1 HANDICAP STRIPING 1" = 1'-0"

DATE: 9/1/05
REVISED: 00/00/00
ISSUED: FOR BID
PROJ. NO.: 40001
DRAWN BY: JoS

SHEET TITLE
SITE DETAILS
(6)

A1.2