

JOHN A. SHORTAL,
ARCHITECT, LTD.
608 POPLAR STREET
JERSEYVILLE, ILLINOIS 62052
(618) 779-2740

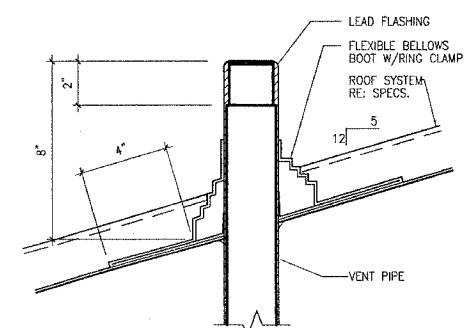
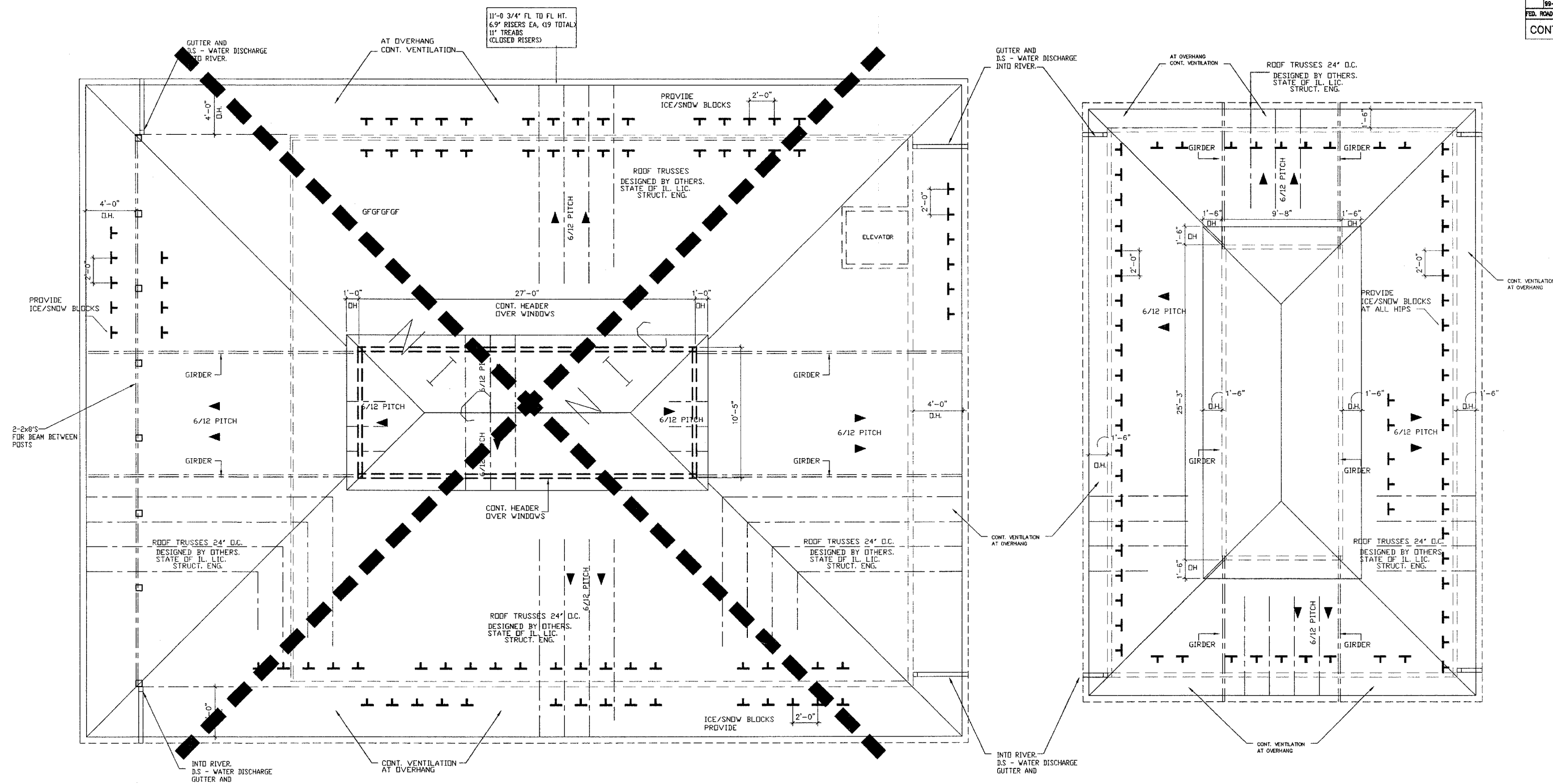
CITY OF GRAFTON
GRAFTON, IL 62037

GRAFTON HARBOR
MARINA PROJECT
RESTROOM BUILDING
215 W. WATER STREET
GRAFTON, IL 62037

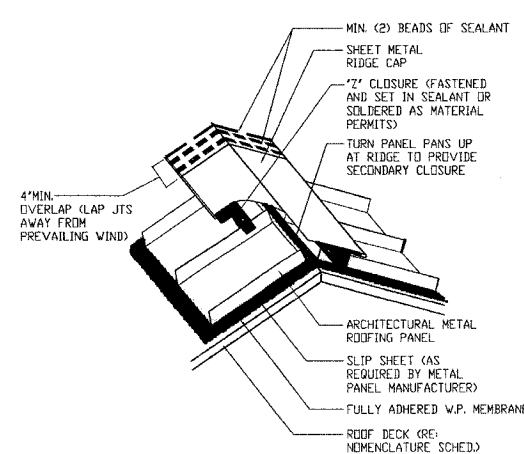
DATE: 9/1/05
REVISED: 00/00/00
ISSUED: FOR BID
PROJ. NO.: 40001
DRAWN BY: JAS

SHEET TITLE
ROOF FRAMING PLAN
(11)

A5.0



NOTE: ALL PLUMBING VENT & FLASHING REFER TO MFG'S & SPECS.



- MISCELLANEOUS NOTES:**
- 1.) ALL ROOF AREAS SHALL DRAIN INTO GUTTERS AND DOWNSPOUTS PER PLANS.
 - 2.) DOWNSPOUTS SHALL BE PLACED IN APPROXIMATE LOCATION SHOWN ON ROOF PLANS.
 - 3.) ALL ROOF AREAS SHALL BE VENTED PER SECTION OF THE UNIFORM BUILDING CODE (UBC) 1999, AS AMENDED BY THE CITY OF BEECHER, ILLINOIS.
 - 4.) ROOF VENTS SHALL BE PLACED IN THE APPROXIMATE LOCATION AS SHOWN ON THE ROOF PLANS. NET FREE AREA OF VENTILATION IN THE UPPER 1/3 AND LOWER ROOF AREAS SHALL MEET SIZE SHOWN.
 - 5.) ALL ROOF SLOPES ARE 6/12 U.A.O.
 - 6.) ALL DOWNSPOUTS DISCHARGE DIRECTLY INTO STORM SYSTEM AND INTO THE RIVER.
 - 7.) PROVIDE CONCEALED WALL FLASHING AT ALL AREAS WHERE ROOF MEETS VERTICAL WALL & MINIMUM 9 INCH VERTICAL LEAD.
 - 8.) PROVIDE VALLEY FLASHING AND METAL DRIPS AS PER SPECIFICATIONS AND MANUFACTURER'S DIRECTIONS.
 - 9.) DRAFTSTOPPING SHALL BE CYP. RD. 5/8" TYPE X ON ONE SIDE ONLY, AND SHALL DIVIDE THE ATTIC INTO 2 SPACES OF LESS THAN 3,000 SF. EACH. ATTIC DOOR SHALL BE MIN. 22"x48" WITH SPRING LOADED HINGE & LATCH.
 - 10.) ALL ROOF SHEATHING SHALL BE 5/8" CDX

- NOTES**
1. TRUSS DESIGNER TO COORDINATE BOTTOM CHORDS OF TRUSSES FOR ELEVATOR SHAFT WALLS.
 2. PROVIDE 150 SQ. FT. OF ATTIC VENTILATION PER 2003 IBC CODE
 3. ALL OVERHANGS ARE FROM FACE OF STUD WALL, UNLESS NOTED OTHERWISE.
 4. CONTINUOUS ALUM VENTED SOFFIT.
 5. ICE AND SNOW CLEATS ARE FOR GRAPHIC REPRESENTATION ONLY. MUST HAVE 2 RDWS CONTINUOUSLY AROUND ALL FOUR ELEVATIONS OF BOTH BUILDINGS. STAGGER CLEATS (TYP)

1 ROOF FRAMING PLAN
1/4" = 1'-0"
PLAN NORTH