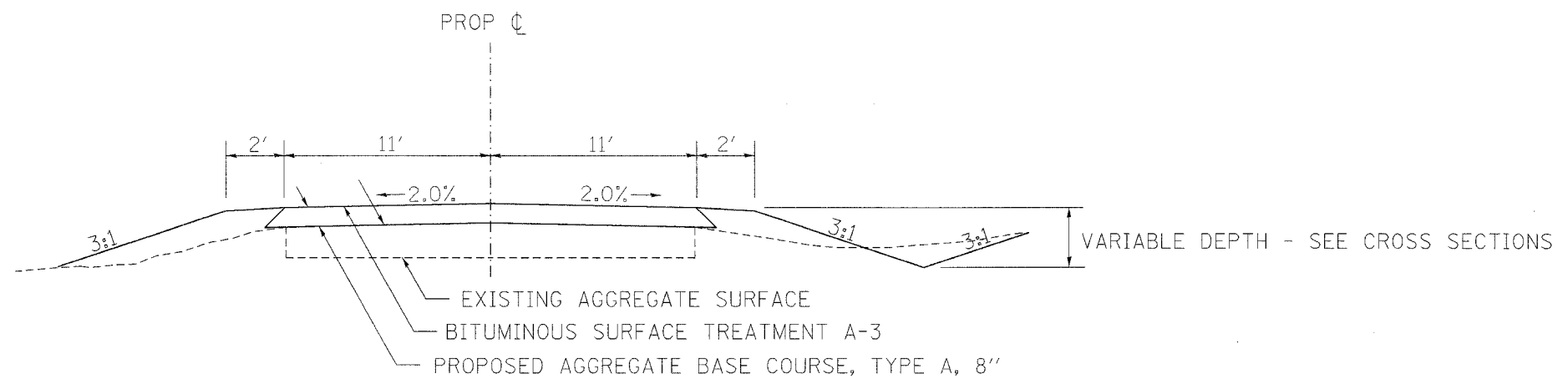
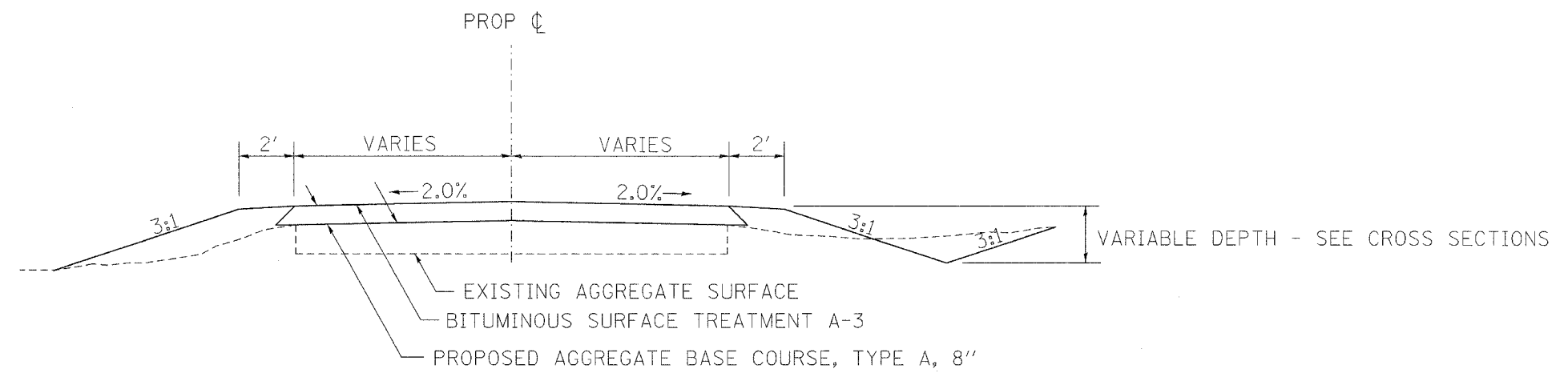


F.A.P. RTE.	SECTION	COUNTY	TOTAL SHEETS	SHEET NO.
*	**	SALINE	119	6
STA.		TO STA.		
FED. ROAD DIST. NO.	ILLINOIS	FED. AID PROJECT		

•SAHARA WOODS SFWA CONTRACT NO. 98834  
 \*\*INTERNAL PARK ROADS - SFWA



TO BE USED: TIPPLE RD - STA 100+00 TO STA 123+00  
 LAKE RD. - STA 0+00 TO STA 16+58.08  
 SHAY RD (HAULAGE LN.) - STA 500+13.26 TO STA 530+75.78



TO BE USED: LAKE RD. - STA 16+57.12 TO STA 16+82.12  
 SHAY RD. - STA 530+75.78 TO STA 531+00