

MIX DESIGN

Location(s):	Bituminous Surface Course (Location #5)
Mixture Use(s)	Polymerized Bituminous Concrete Surface Course, Superpave, Mix D, N105
AC/PG	SBS PG76-22
RAP% (Max):	0
Design Air Voids:	4.0%, 105 Gyration Superpave Design
Mixture Composition: (Gradation Mixture)	IL-9.5 mm or IL 12.5 mm
Friction Aggregate:	D Surface

Location(s):	Leveling Binder (Location #5)
Mixture Use(s)	Polymerized Bituminous Concrete Surface Course, Superpave, Mix C, N105
AC/PG	SBS PG76-22
RAP% (Max):	0
Design Air Voids:	4.0%, 105 Gyration Superpave Design
Mixture Composition: (Gradation Mixture)	IL-9.5 mm or IL 12.5 mm
Friction Aggregate:	None

Location(s):	Bituminous Surface Course (all locations except #5)
Mixture Use(s)	Bituminous Concrete Surface Course, Superpave, Mix C, N90
AC/PG	PG64-22
RAP% (Max):	10
Design Air Voids:	4.0%, 90 Gyration Superpave Design
Mixture Composition: (Gradation Mixture)	IL-9.5 mm or IL 12.5 mm
Friction Aggregate:	C Surface

Location(s):	Bituminous Materials Prime Coat (Location #5)
Mixture Use(s)	Polymer Modified Emulsified Asphalt
Requirements:	SS-1HP or CSS-1HP

Location(s):	Bituminous Binder Course, Base Course Widening, and Pavement Patching
Mixture Use(s)	Bituminous Concrete Binder Course, Superpave, N90, IL-19.0
AC/PG	PG64-22
RAP% (Max):	10
Design Air Voids:	4.0%, 90 Gyration Superpave Design
Mixture Composition: (Gradation Mixture)	IL-19.0 mm
Friction Aggregate:	None

SUMMARY OF QUANTITIES

CODE NUMBER	ITEM DESCRIPTION	UNIT	VARIOUS COUNTRIES TOTAL QUANTITY	LOC #1	LOC #2	LOC #3	LOC #4	LOC #5	LOC #6	LOC #7		LOC #8	
				PULASKI CO.	JACKSON CO.	SALINE CO.	PULASKI CO.	JACKSON CO.	JACKSON CO.	JACKSON CO.	JOHNSON CO.	POPE CO.	JACKSON CO.
				RURAL 100 % STATE	RURAL 100 % STATE	RURAL 100 % STATE	RURAL 100 % STATE	RURAL 100 % STATE	URBAN 100% CITY	RURAL 100 % STATE	RURAL 100 % STATE	RURAL 100 % STATE	RURAL 100 % STATE
	CONSTRUCTION TYPE CODE			<i>1000</i>	<i>1000</i>	<i>1000</i>	<i>1000</i>	<i>1000</i>	<i>4025</i>	<i>1000</i>	<i>1000</i>	<i>1000</i>	
20200100	EARTH EXCAVATION	CU YD	533			155	378						
20201200	REMOVAL AND DISPOSAL OF UNSUITABLE MATERIAL	CU YD	6	6									
20400800	FURNISHED EXCAVATION	CU YD	371	371									
25000350	SEEDING, CLASS 7	ACRE	0.6	0.6									
25000400	NITROGEN FERTILIZER NUTRIENT	POUND	97	97									
25000500	PHOSPHORUS FERTILIZER NUTRIENT	POUND	73	73									
25000600	POTASSIUM FERTILIZER NUTRIENT	POUND	73	73									
25000700	AGRICULTURAL GROUND LIMESTONE	TON	2	2									
25001010	SEEDING, CLASS 2 MODIFIED	ACRE	0.6	0.6									
25100115	MULCH, METHOD 2	ACRE	0.6	0.6									
28000250	TEMPORARY EROSION CONTROL SEEDING	POUND	182	182									
28000400	PERIMETER EROSION BARRIER	FOOT	2,600	2,600									
35101100	AGGREGATE BASE COURSE, TYPE A, 12 INCH	SQ YD	463		463								
40600100	BITUMINOUS MATERIALS (PRIME COAT)	GAL	3,141	357	1,111		714			567	75	317	
40600105	BITUMINOUS MATERIALS (PRIME COAT), SPECIAL	GAL	150					126	24				
40600300	AGGREGATE (PRIME COAT)	TON	57	6	19		12	2	1	10	2	5	
40600990	TEMPORARY RAMP	SQ YD	238	24	30		24	56		48	16	40	

Rev. 1-4-06

SUMMARY OF QUANTITIES

CODE NUMBER	ITEM DESCRIPTION	UNIT	VARIOUS COUNTIES TOTAL QUANTITY	LOC #1	LOC #2	LOC #3	LOC #4	LOC #5	LOC #6	LOC #7		LOC #8	
				PULASKI CO.	JACKSON CO.	SALINE CO.	PULASKI CO.	JACKSON CO.	JACKSON CO.	JACKSON CO.	JOHNSON CO.	POPE CO.	JACKSON CO.
				RURAL 100 % STATE	RURAL 100 % STATE	RURAL 100 % STATE	RURAL 100 % STATE	RURAL 100 % STATE	URBAN 100% CITY	RURAL 100 % STATE	RURAL 100 % STATE	RURAL 100 % STATE	RURAL 100 % STATE
	CONSTRUCTION TYPE CODE			1000	1000	1000	1000	1000	1000	1000	1000	1000	
44000006	BITUMINOUS SURFACE REMOVAL - 1 1/2"	SQ YD	38,970	4,156	12,343		7,934			6,298	1,528	6,445	
44000009	BITUMINOUS SURFACE REMOVAL - 3"	SQ YD	1,396					1,396					
44000100	PAVEMENT REMOVAL	SQ YD	463			463							
44200114	PAVEMENT PATCHING, TYPE IV, 9 INCH	SQ YD	134					134					
44200116	PAVEMENT PATCHING, TYPE I, 10 INCH	SQ YD	2			2							
44200120	PAVEMENT PATCHING, TYPE II, 10 INCH	SQ YD	109			109							
44200126	PAVEMENT PATCHING, TYPE IV, 10 INCH	SQ YD	222			222							
44200140	PAVEMENT PATCHING, TYPE I, 12 INCH	SQ YD	144				144						
44200144	PAVEMENT PATCHING, TYPE II, 12 INCH	SQ YD	7				7						
44200150	PAVEMENT PATCHING, TYPE IV, 12 INCH	SQ YD	32									32	
44200168	PAVEMENT PATCHING, TYPE II, 14 INCH	SQ YD	147		147								
44200174	PAVEMENT PATCHING, TYPE IV, 14 INCH	SQ YD	106	106									
44213200	SAW CUTS	FOOT	7,820			1,020	6,800						
44300200	STRIP REFLECTIVE CRACK CONTROL TREATMENT	FOOT	6,523							1,250	5,273		
48101200	AGGREGATE SHOULDERS, TYPE B	TON	375		144		87			144			
50800105	REINFORCEMENT BARS	POUND	1,727	1,727									
54001000	BOX CULVERT END SECTION	EACH	2	2									
54002020	EXPANSION BOLTS 3/4"	EACH	40	40									
54003000	CONCRETE BOX CULVERTS	CU YD	8.6	8.6									

△ 0.001 11-010

SUMMARY OF QUANTITIES

CODE NUMBER	ITEM DESCRIPTION	UNIT	VARIOUS COUNTRIES TOTAL QUANTITY	LOC #1	LOC #2	LOC #3	LOC #4	LOC #5	LOC #6	LOC #7		LOC #8	
				PULASKI CO.	JACKSON CO.	SALINE CO.	PULASKI CO.	JACKSON CO.	JACKSON CO.	JACKSON CO.	JOHNSON CO.	POPE CO.	JACKSON CO.
				RURAL 100% STATE	RURAL 100% STATE	RURAL 100% STATE	RURAL 100% STATE	RURAL 100% STATE	URBAN 100% CITY	RURAL 100% STATE	RURAL 100% STATE	RURAL 100% STATE	RURAL 100% STATE
	CONSTRUCTION TYPE CODE			1000	1000	1000	1000	1000	1025	1000	1000	1000	
67100100	MOBILIZATION	L SUM	1	0.1	0.2	0.1	0.2			0.1	0.1	0.2	
67000400	ENGINEER'S FIELD OFFICE, TYPE A	CAL MO	5	0.5	1	0.5	1	0.5		0.5	0.5	0.5	
70100450	TRAFFIC CONTROL AND PROTECTION, STANDARD 701201	L SUM	1									1	
70100460	TRAFFIC CONTROL AND PROTECTION, STANDARD 701306	L SUM	1	0.1	0.2	0.1	0.2			0.1	0.1	0.2	
70100600	TRAFFIC CONTROL AND PROTECTION, STANDARD 701336	L SUM	1	0.1	0.2	0.1	0.2			0.1	0.1	0.2	
70102630	TRAFFIC CONTROL AND PROTECTION, STANDARD 701601	L SUM	1					1					
70300100	SHORT TERM PAVEMENT MARKING	FOOT	2,741	340	1065		680	89		567			
70300210	TEMPORARY PAVEMENT MARKING - LETTERS AND SYMBOLS	SQ FT	98.9					98.9					
70300220	TEMPORARY PAVEMENT MARKING - LINE 4"	FOOT	47,017	3,825	20,183	1,020	7,650	241	28	7,547	1,250	5,273	
70300240	TEMPORARY PAVEMENT MARKING - LINE 6"	FOOT	100					100					
70300280	TEMPORARY PAVEMENT MARKING - LINE 24"	FOOT	50					50					
70301000	WORK ZONE PAVEMENT MARKING REMOVAL	SQ FT	16,838	1,389	7,083	340	2,777	369		2,705	417	1,758	
* 78000100	THERMOPLASTIC PAVEMENT MARKING - LETTERS AND SYMBOLS	SQ FT	98.9					98.9					
* 78000200	THERMOPLASTIC PAVEMENT MARKING - LINE 4"	FOOT	269					241	28				
* 78000400	THERMOPLASTIC PAVEMENT MARKING - LINE 6"	FOOT	100					100					

* SPECIALTY ITEMS

Rev. 1-4-06

SUMMARY OF QUANTITIES

CODE NUMBER	ITEM DESCRIPTION	UNIT	VARIOUS COUNTIES TOTAL QUANTITY	LOC #1	LOC #2	LOC #3	LOC #4	LOC #5	LOC #6	LOC #7		LOC #8	
				PULASKI CO.	JACKSON CO.	SALINE CO.	PULASKI CO.	JACKSON CO.	JACKSON CO.	JACKSON CO.	JOHNSON CO.	POPE CO.	JACKSON CO.
				RURAL 100 % STATE	RURAL 100 % STATE	RURAL 100 % STATE	RURAL 100 % STATE	RURAL 100 % STATE	URBAN 100% CITY	RURAL 100 % STATE	RURAL 100 % STATE	RURAL 100 % STATE	RURAL 100 % STATE
	CONSTRUCTION TYPE CODE			1000	1000	1000	1000	1000	Y025	1000	1000	1000	
* 78000650	THERMOPLASTIC PAVEMENT MARKING - LINE 24"	FOOT	50					50					
* 78001110	PAINT PAVEMENT MARKING - LINE 4"	FOOT	46,748	3,825	20,183	1,020	7,650		7,547	1,250	5,273		
78300200	RAISED REFLECTIVE PAVEMENT MARKER REMOVAL	EACH	131	22	67		42						
* 88600100	DETECTOR LOOP, TYPE I	FOOT	60					60					
X3560130	BITUMINOUS CONCRETE BASE COURSE WIDENING, SUPERPAVE 9 INCH	SQ YD	1,512				1,512						
X3560140	BITUMINOUS CONCRETE BASE COURSE WIDENING, SUPERPAVE 10 INCH	SQ YD	463			463							
X4066530	POLYMERIZED BITUMINOUS CONCRETE SURFACE COURSE, SUPERPAVE, MIX "D", N105	TON	140					118	22				
X4066418	BITUMINOUS CONCRETE SURFACE COURSE, MIX "C", N90	TON	3,254	350	1,037		667		530	128	542		
X4066920	POLYMERIZED LEVELING BINDER (MACHINE METHOD), SUPERPAVE N105	TON	118					118					
X7015000	CHANGEABLE MESSAGE SIGN	CAL MO	2					2					
Z0054500	ROCK FILL (REPLACEMENT)	TON	12	12									

* SPECIALTY ITEMS

△ Rev. 1-4-06

RESURFACING SCHEDULE

VARIOUS ROUTES
D-9 CONT. MAINT. FY 06-3
VARIOUS CO.
CONTRACT #98924
SHEET 13 OF 42

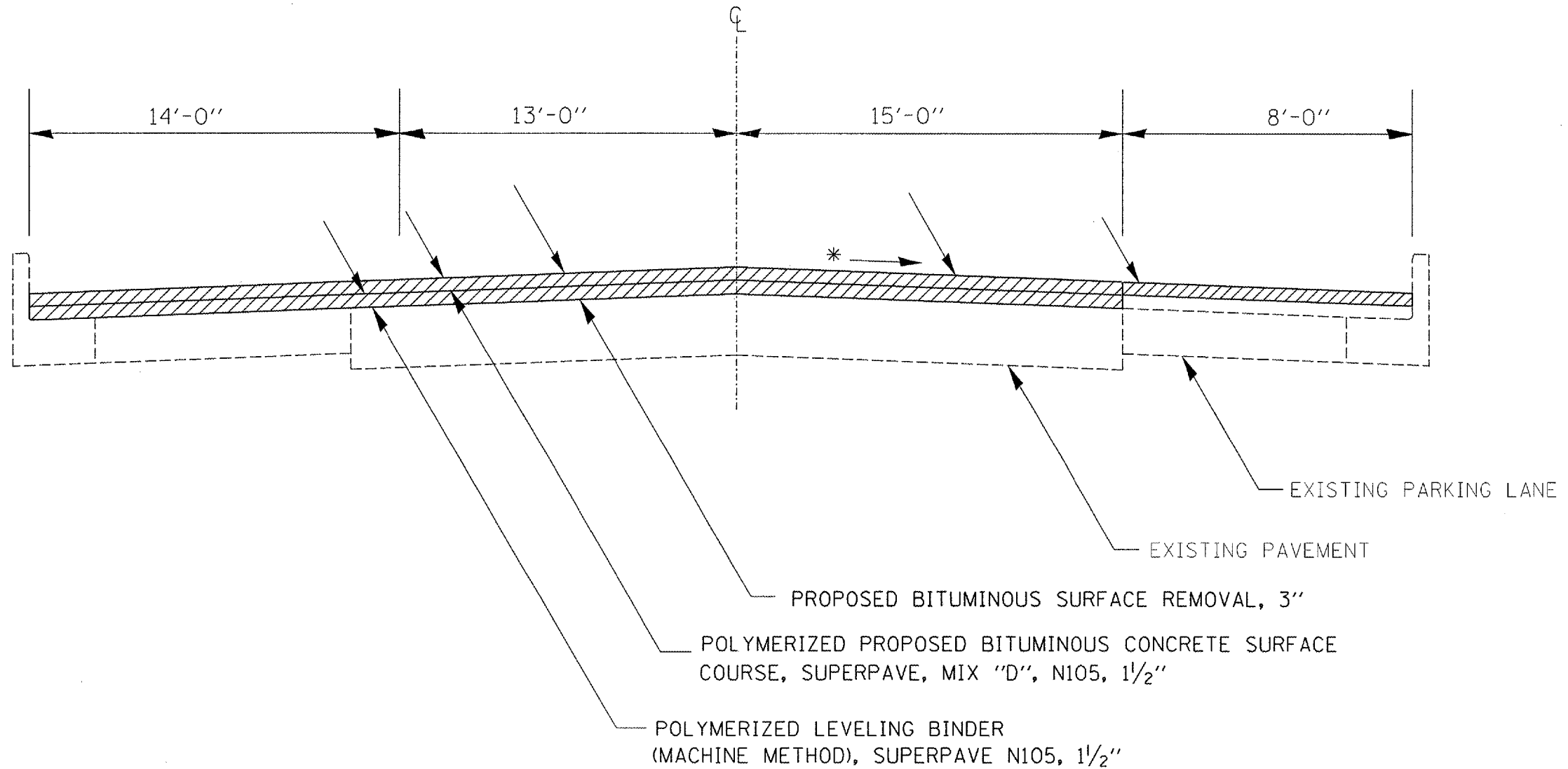
LOCATION				LENGTH (FEET)	WIDTH (FEET)	BIT SURF REMOVAL (SQ YD)	AVG DEPTH (INCH)	VOLUME (CU YD)	BIT CONC SURF CRSE MIX "C" (TON)	POLY LB MM SUPER N105 (TON)	POLY BIT CONC SURF CRSE MIX "D" (TON)	BIT CONC BASE CRSE WIDENING, 9" (SQ YD)	BIT CONC BASE CRSE WIDENING, 10" (SQ YD)	AGG BASE CRSE, TY A, 12" (SQ YD)	AGG SHOULDERS TY B (TON)
LOCATION #1															
STA.	751+00	TO	STA. 768+00	1,700	22	4,155.56	1.5	173.15	349.07	0.00	0.00	0.00	0.00	0.00	0.00
SUBTOTAL LOCATION #1 =						4,156			350	0	0	0	0	0	0
LOCATION #2															
STA.	417+40	TO	STA. 417+60	20	31	68.89	1.5	2.87	5.79	0.00	0.00	0.00	0.00	0.00	1.01
STA.	417+60	TO	STA. 440+65	2,305	22	5,634.44	1.5	234.77	473.29	0.00	0.00	0.00	0.00	0.00	116.67
STA.	440+65	TO	STA. 446+07	542	22	1,324.89	1.5	55.20	111.29	0.00	0.00	0.00	0.00	0.00	13.72
STA.	446+07	TO	STA. 452+16.8 BK =	610	20	1,355.11	1.5	56.46	113.83	0.00	0.00	0.00	0.00	0.00	0.00
STA.	452+97.5 AH	TO	STA. 456+05	308	20	683.33	1.5	28.47	57.40	0.00	0.00	0.00	0.00	0.00	0.00
STA.	456+05	TO	STA. 462+87	682	18.5	1,401.89	1.5	58.41	117.76	0.00	0.00	0.00	0.00	0.00	0.00
STA.	462+87	TO	STA. 467+57	470	19.5	1,018.33	1.5	42.43	85.54	0.00	0.00	0.00	0.00	0.00	11.90
STA.	467+57	TO	STA. 471+42	385	20	855.56	1.5	35.65	71.87	0.00	0.00	0.00	0.00	0.00	0.00
SUBTOTAL LOCATION #2 =						12,343			1,037	0	0	0	0	0	144
LOCATION #3															
STA.	729+75 LT	TO	STA. 733+75 LT	400	4	0.00	0.0	0.00	0.00	0.00	0.00	0.00	177.78	177.78	0.00
STA.	729+60 RT	TO	STA. 731+60 RT	200	4	0.00	0.0	0.00	0.00	0.00	0.00	0.00	88.89	88.89	0.00
STA.	734+25 LT	TO	STA. 735+00 LT	75	4	0.00	0.0	0.00	0.00	0.00	0.00	0.00	33.33	33.33	0.00
STA.	742+00 RT	TO	STA. 742+90 RT	90	4	0.00	0.0	0.00	0.00	0.00	0.00	0.00	40.00	40.00	0.00
STA.	743+20 RT	TO	STA. 744+35 RT	115	4	0.00	0.0	0.00	0.00	0.00	0.00	0.00	51.11	51.11	0.00
STA.	744+70 RT	TO	STA. 746+30 RT	160	4	0.00	0.0	0.00	0.00	0.00	0.00	0.00	71.11	71.11	0.00
SUBTOTAL LOCATION #3 =						0			0	0	0	0	463	463	0
LOCATION #4															
STA.	980+86	TO	STA. 1014+86	3,400	21	7,933.33	1.5	330.56	666.40	0.00	0.00	1,512.00	0.00	0.00	86.05
SUBTOTAL LOCATION #4 =						7,934			667	0	0	1,512	0	0	87
LOCATION #5															
STA.	68+89	TO	STA. 71+88	299	42	1,395.33	1.5	58.14	0.00	117.21	117.21	0.00	0.00	0.00	0.00
STA.	68+89	TO	STA. 71+88	299	8	265.78	1.5	11.07	0.00		22.33	0.00	0.00	0.00	0.00
SUBTOTAL LOCATION #5 =						1,662			0	118	140	0	0	0	0
LOCATION #6															
STA.	1+40	TO	STA. 8+28	688	20	1,528.89	1.5	63.70	128.43	0.00	0.00	0.00	0.00	0.00	34.82
STA.	8+28	TO	STA. 18+00	OMISSION											
STA.	18+00	TO	STA. 39+46	2,146	20	4,768.89	1.5	198.70	400.59	0.00	0.00	0.00	0.00	0.00	108.62
SUBTOTAL LOCATION #6 =						6,298			530	0	0	0	0	0	144
LOCATION #7															
STA.	533+00	TO	STA. 535+50	250	11	305.56	1.5	12.73	25.67	0.00	0.00	0.00	0.00	0.00	0.00
STA.	535+50	TO	STA. 560+20	OMISSION											
STA.	560+20	TO	STA. 570+20	1,000	11	1,222.22	1.5	50.93	102.67	0.00	0.00	0.00	0.00	0.00	0.00
STA.	570+20	TO	STA. 607+27	OMISSION											
STA.	607+27	TO	STA. 612+00	473	11	578.11	1.5	24.09	48.56	0.00	0.00	0.00	0.00	0.00	0.00
STA.	612+00	TO	STA. 626+00	OMISSION											
STA.	626+00	TO	STA. 630+00	400	11	488.89	1.5	20.37	41.07	0.00	0.00	0.00	0.00	0.00	0.00
STA.	630+00	TO	STA. 649+00	OMISSION											
STA.	649+00	TO	STA. 659+00	1,000	11	1,222.22	1.5	50.93	102.67	0.00	0.00	0.00	0.00	0.00	0.00
STA.	659+00	TO	STA. 761+50	OMISSION											
STA.	761+50	TO	STA. 777+00	1,550	11	1,894.44	1.5	78.94	159.13	0.00	0.00	0.00	0.00	0.00	0.00
STA.	777+00	TO	STA. 876+00	OMISSION											
STA.	876+00	TO	STA. 894+50	1,850	11	2,261.11	1.5	94.21	189.93	0.00	0.00	0.00	0.00	0.00	0.00
SUBTOTAL LOCATION #7 =						7,973			670	0	0	0	0	0	0
TOTAL LOCATIONS #1-7 =						40,366			3,254	118	140	1,512	463	463	375

△ Rev. 1-4-06

LOCATION #5
 FAP 332 (US 51)
 JACKSON COUNTY
 TYPICAL SECTION

VARIOUS ROUTES
 D-9 CONT. MAINT. FY 06-3
 VARIOUS CO.
 CONTRACT #98924
 SHEET 25 OF 42

NOT TO SCALE



TO BE USED:

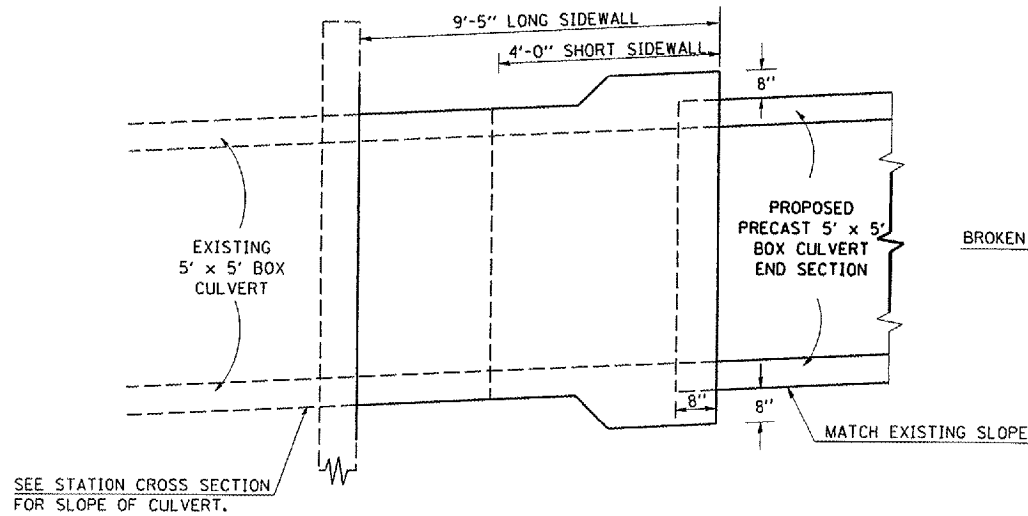
STA. 68+89 TO STA. 71+88

* MATCH EXISTING SLOPE RT & LT

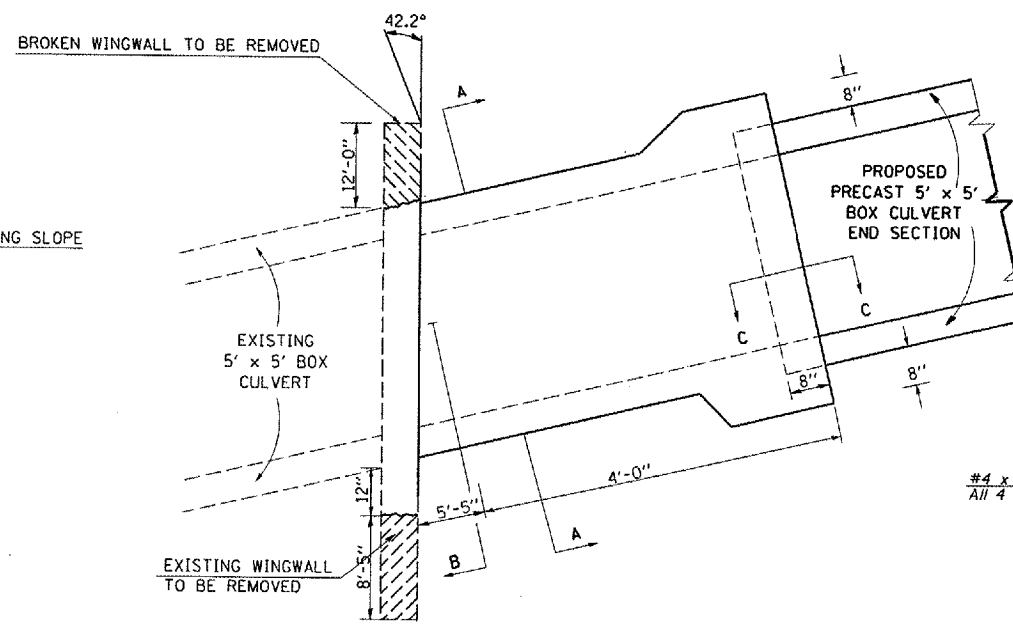
△ Rev. 1-4-06

**CAST-IN-PLACE
CONCRETE COLLAR FOR
PRECAST BOX CULVERTS
STA. 752+80 RT SIDE**

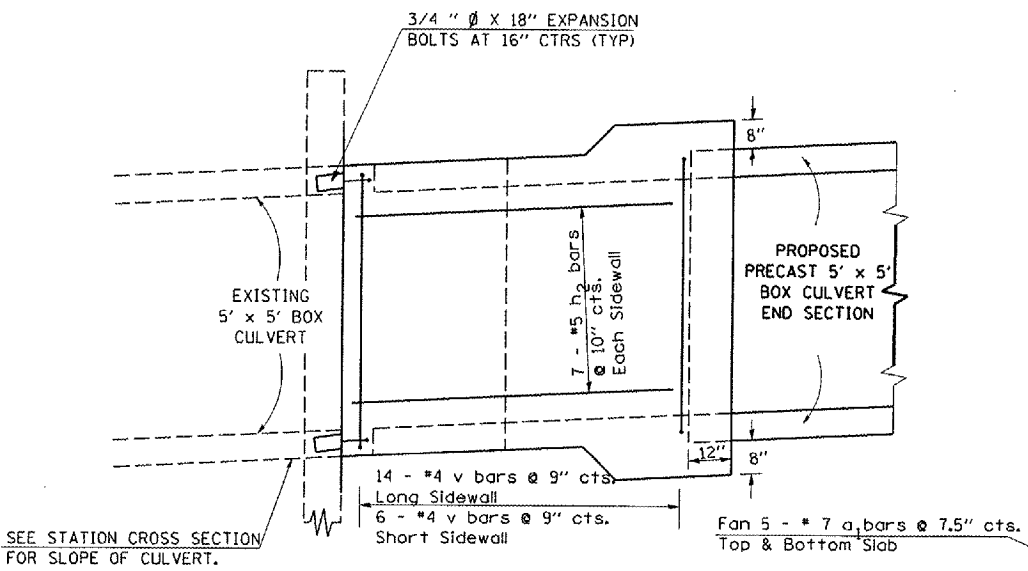
VARIOUS ROUTES
D-9 CONT. MAINT. FY 06-3
VARIOUS CO.
CONTRACT #98924
SHEET 30 OF 42



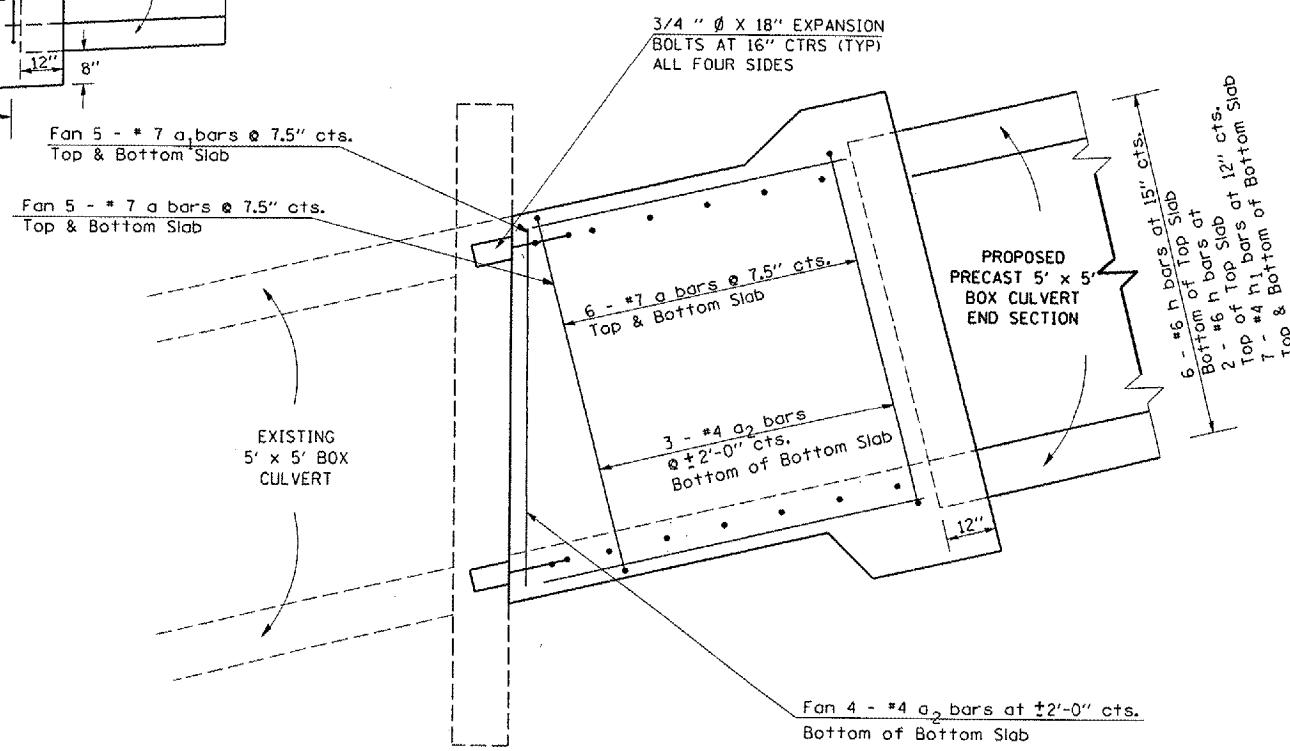
**SIDE VIEW
DIMENSIONS SHOWN**



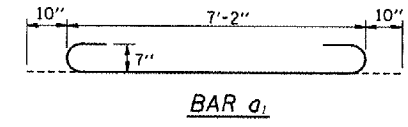
**TOP VIEW
DIMENSIONS SHOWN**



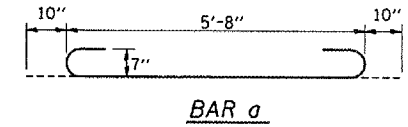
**SIDE VIEW
REINFORCEMENT SHOWN**



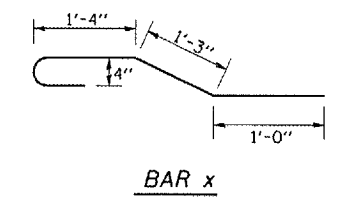
**TOP VIEW
REINFORCEMENT SHOWN**



BAR a₁

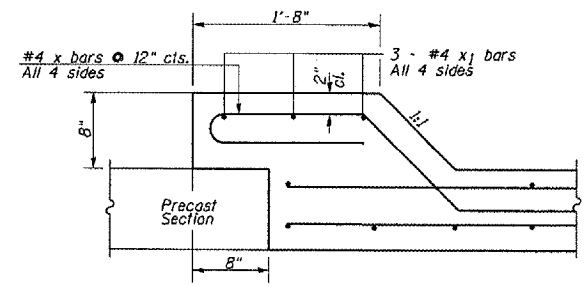


BAR a

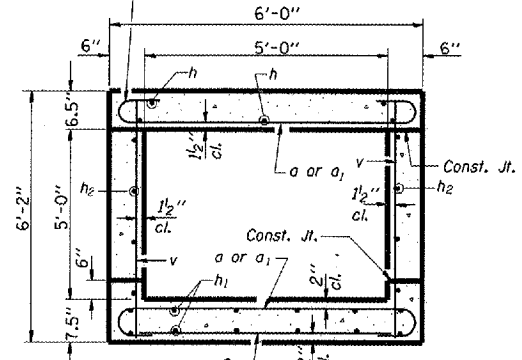


BAR x

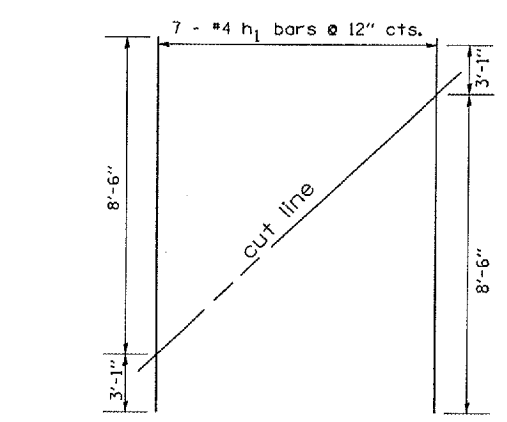
Tilt hook of a₁ bars
for 1 1/2" min. cl.



SECTION C-C

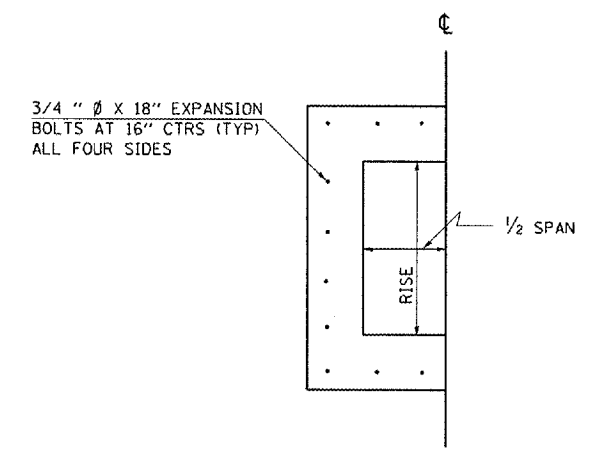


SECTION A-A



FIELD CUTTING DIAGRAM

Order h₁ bars full length. Cut as shown and use remainder of bars in opposite face.



SECTION B-B

BILL OF MATERIAL

Bar	No.	Size	Length	Shape	
a	22	#7	7'-4"	U	
a ₁	10	#7	8'-10"	U	
a ₂	7	#4	7'-8"	—	
h	8	#6	8'-6"	—	
h ₁	7	#4	11'-7"	—	
h ₂	7	#5	11'-7"	—	
x	30	#4	5'-3"	—	
x ₁	12	#4	7'-0"	—	
v	20	#4	5'-10"	—	
Expansion Bolts 3/4"				Each	22
Concrete Box Culverts				Cu. Yd.	3.79
Reinforcement Bars				Pound	10,30

Cut a₂, h, h₁, and h₂ bars in the field to fit.

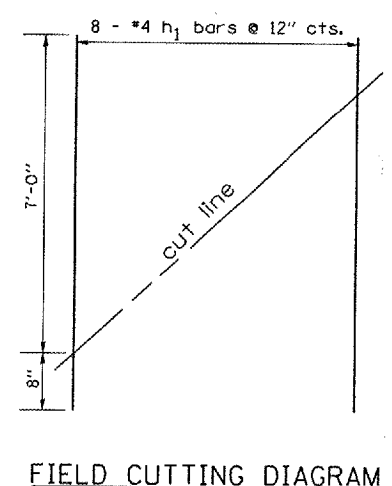
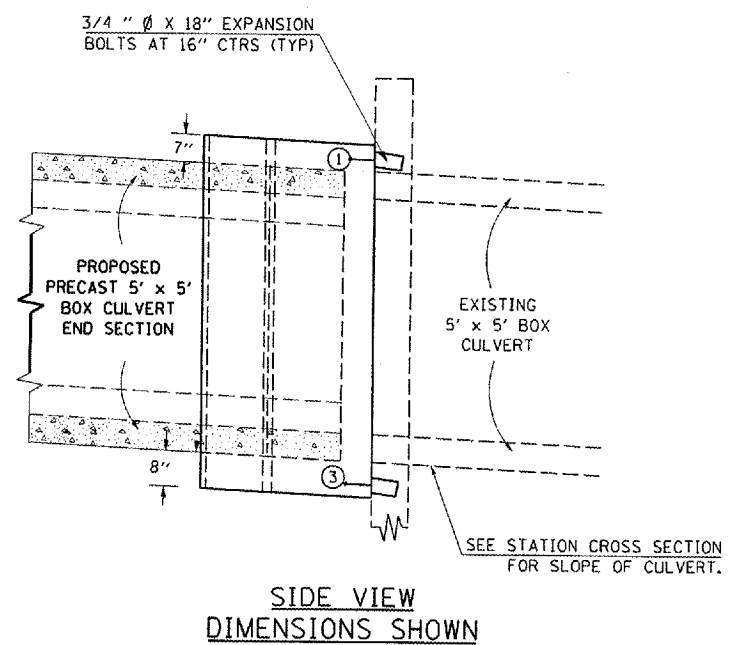
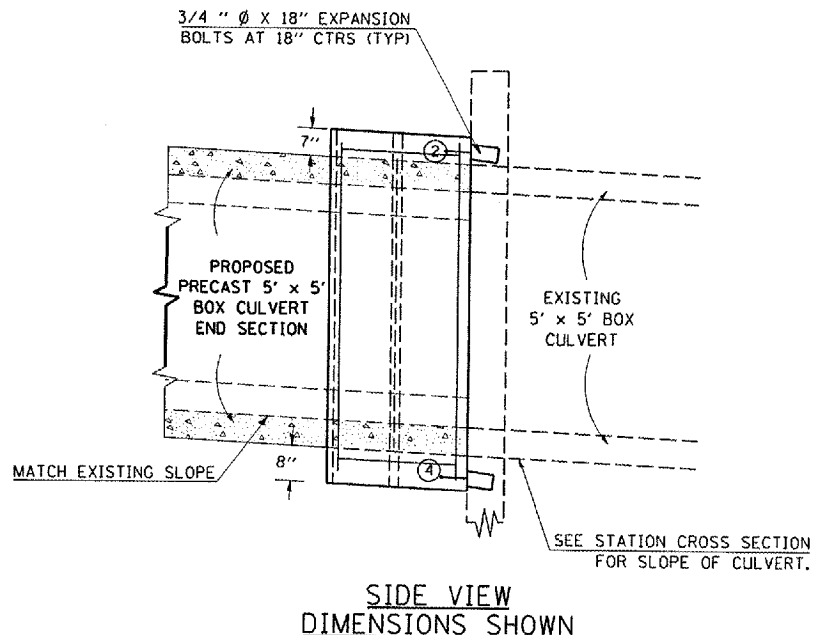
NOTES:

ANCHOR BOLTS, MEETING THE REQUIREMENTS OF ARTICLE 1006.09 OF THE STANDARD SPECIFICATIONS, SHALL EXTEND A MINIMUM OF 9 INCHES INTO THE NEW CONCRETE. EXPANSION SHIELDS SHALL PROVIDE A MINIMUM CERTIFIED PROOF LOAD OF 4080 POUNDS.

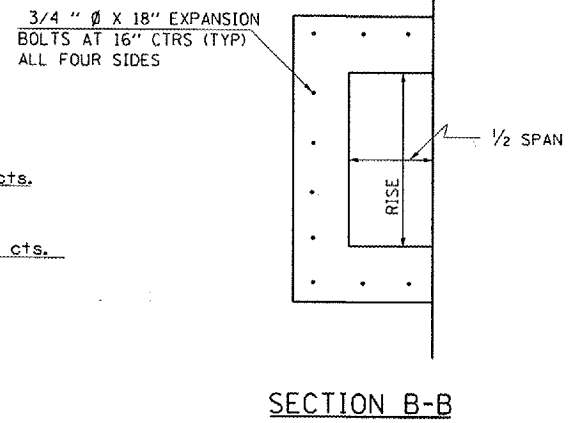
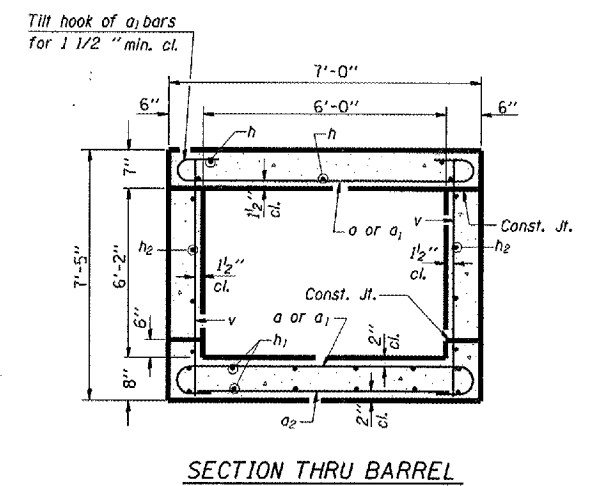
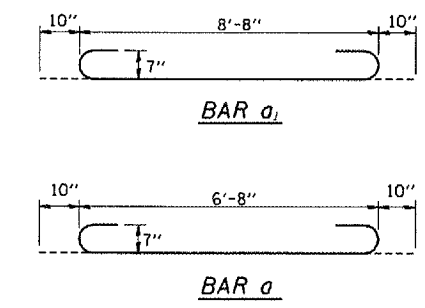
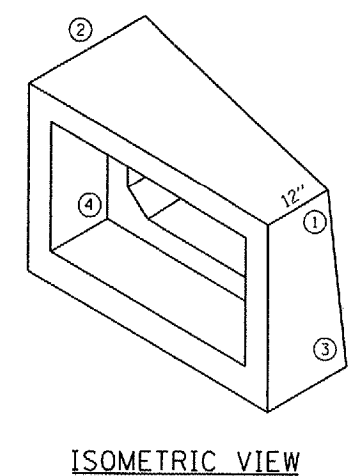
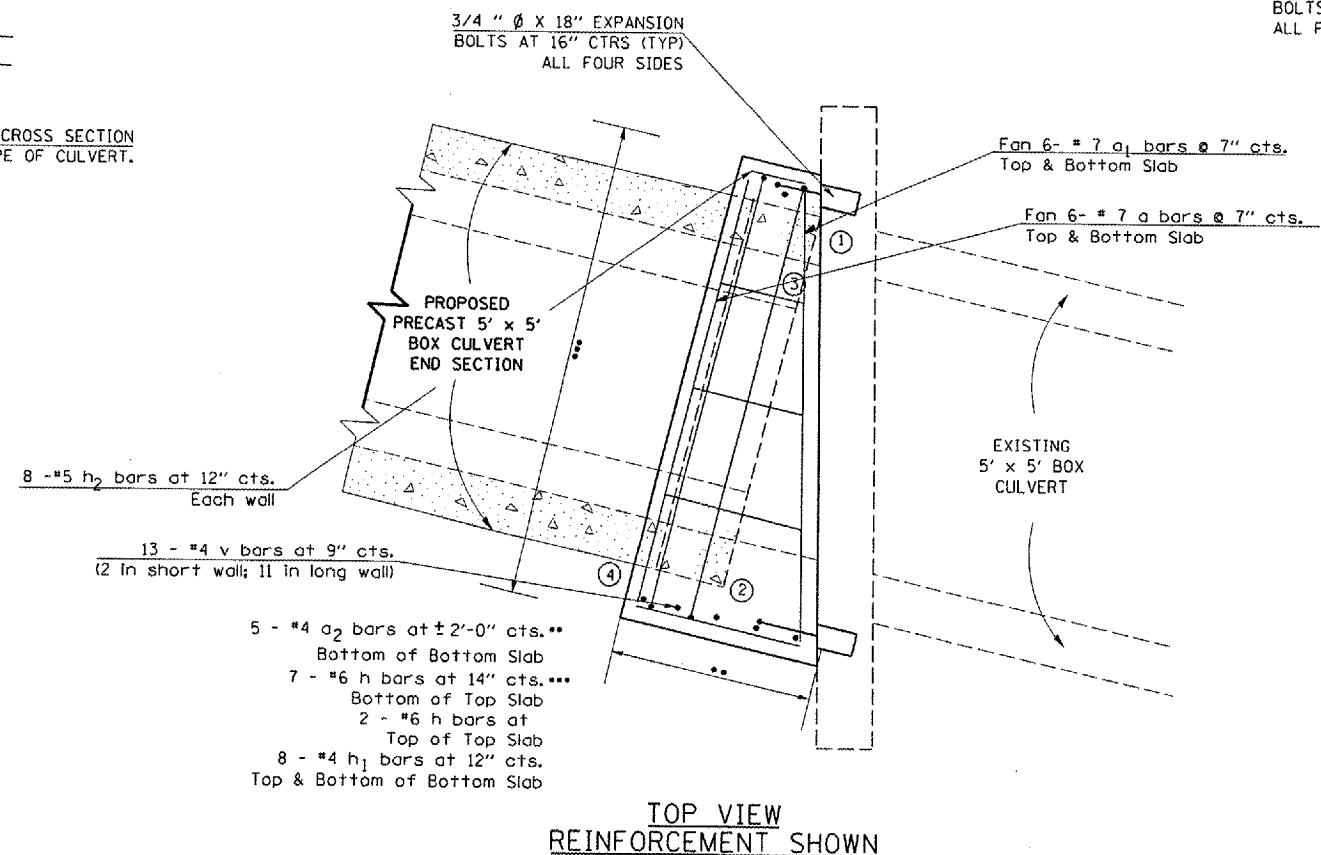
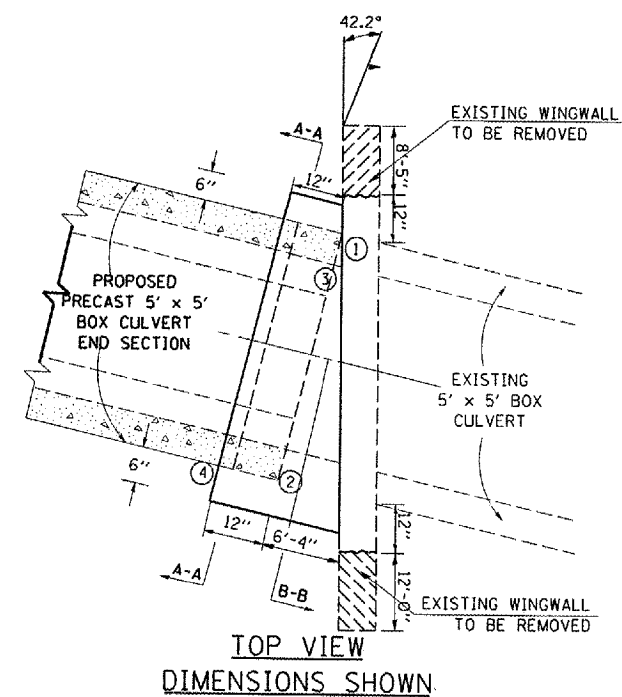
THE REMOVAL OF SUCH PORTIONS OF THE EXISTING HEADWALLS AND WINGWALLS AS MAY BE REQUIRED SHALL BE INCLUDED IN THE CONTRACT UNIT PRICE FOR PRECAST CONCRETE BOX CULVERTS. CLASS S1 CONCRETE SHALL BE USED THROUGHOUT.

PROPOSED PRECAST BOX CULVERT END SECTION SHALL BE INSTALLED PRIOR TO CONSTRUCTION OF THE CAST-IN-PLACE CONCRETE COLLAR.

**CONCRETE COLLAR FOR
PRECAST BOX CULVERTS
STA. 752+51 LT SIDE**



FIELD CUTTING DIAGRAM
Order h₁ bars full length. Cut as shown and use remainder of bars in opposite face.



BILL OF MATERIAL

Bar	No.	Size	Length	Shape
a	12	#7	8'-4"	
a ₁	12	#7	10'-4"	
a ₂	5	#4	9'-0"	
h	9	#7	7'-0"	
h ₁	8	#4	7'-8"	
h ₂	8	#5	7'-8"	
v	13	#4	7'-1"	
Expansion Bolts 3/4"		Each	18	
Concrete Box Culverts		Cu. Yd.	4.82	
Reinforcement Bars		Pound	697	

Cut a₂, h, h₁, and h₂ bars in the field to fit.

NOTES:

ANCHOR BOLTS, MEETING THE REQUIREMENTS OF ARTICLE 1006.09 OF THE STANDARD SPECIFICATIONS, SHALL EXTEND A MINIMUM OF 9 INCHES INTO THE NEW CONCRETE. EXPANSION SHIELDS SHALL PROVIDE A MINIMUM CERTIFIED PROOF LOAD OF 4080 POUNDS.

THE REMOVAL OF SUCH PORTIONS OF THE EXISTING HEADWALLS AND WINGWALLS AS MAY BE REQUIRED SHALL BE INCLUDED IN THE CONTRACT UNIT PRICE FOR PRECAST CONCRETE BOX CULVERTS. CLASS S1 CONCRETE SHALL BE USED THROUGHOUT.

PROPOSED PRECAST BOX CULVERT END SECTION SHALL BE INSTALLED PRIOR TO CONSTRUCTION OF THE CAST-IN-PLACE CONCRETE COLLAR.

