

SIDE OPPOSITE FLOORBEAM FLOORBEAM SIDE

PARTIAL PLAN
SHOWING CONCRETE REMOVAL

REPAIR 2

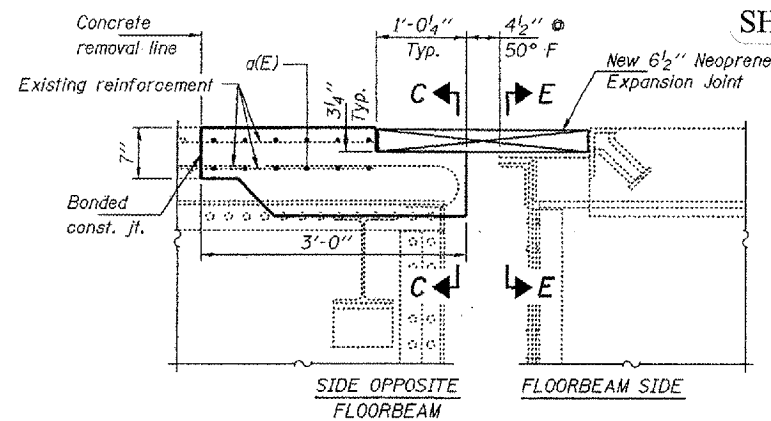
SIDE OPPOSITE FLOORBEAM FLOORBEAM SIDE

PARTIAL PLAN
SHOWING CONCRETE REPLACEMENT

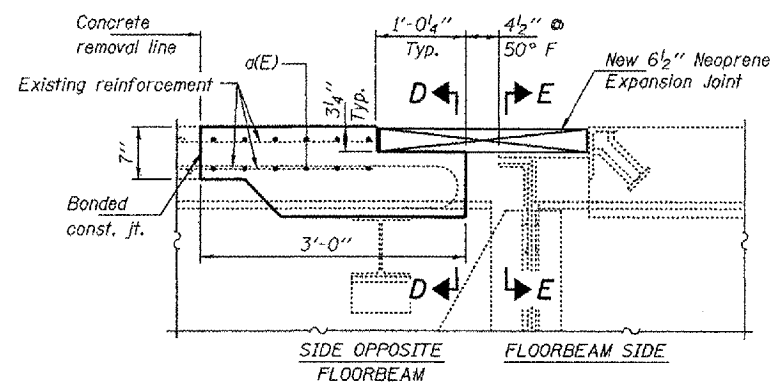
(Pier A & Panel Points 15, 47 & 79 shown.
Pier H & Panel Points 23, 55 & 87 similar by rotation)

BRIDGE NO. 1
STRUCTURE 002-0005
FOR INFORMATION ONLY

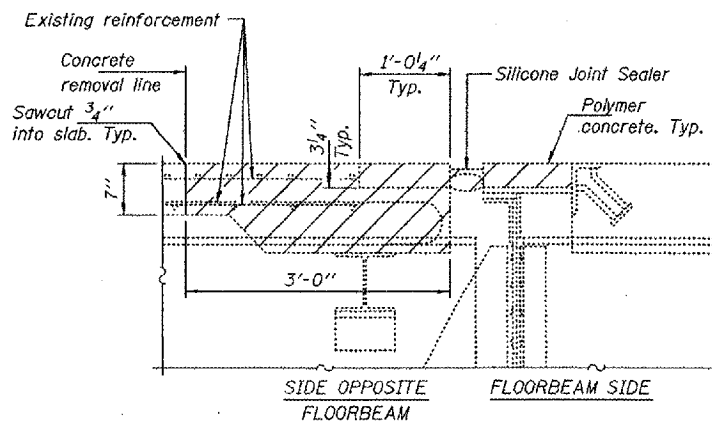
Notes:
For Sections C-C, D-D & E-E, see sheet 5 of 13.
Hatched areas indicate
Concrete removal.



SECTION B-B
AT PIERS A & H
(Pier A shown. Pier H similar by rotation)



SECTION B-B
AT PANEL POINTS 15, 23, 47, 55, 79 & 87
(Panel Points 15, 47 & 79 shown.
Panel Points 23, 55 & 87 similar by rotation)



SECTION A-A
AT PIERS A & H, & PANEL POINTS 15, 23, 47, 55, 79 & 87
(Pier A & Panel Points 15, 47 & 79 shown.
Pier H & Panel Points 23, 55 & 87 similar by rotation)

BILL OF MATERIAL

Bar	No.	Size	Length	Shape	
a(E)	24	#5	21'-8"	—	
d(E)	16	#5	3'-10"	△	
Reinforcement Bars, Epoxy Coated				Pound	610
Concrete Superstructure				Cu. Yd.	15.6
Concrete Removal				Cu. Yd.	18.7

Reinforcement bars designated (E) shall be epoxy coated.

BRIDGE REPAIRS
OLD CAIRO BRIDGE OVER MISSISSIPPI RIVER
FAS RTE. 944 (US 60 & 62)
SEC. (138D-BR)I-5
ALEXANDER COUNTY
SN 002-0005

DESIGNED	DAB
CHECKED	JSB
DRAWN	ballva
CHECKED	DAB JSB

MARCH 14, 2005
EXAMINED *John A. Morris*
ENGINEER OF STRUCTURAL SERVICES
PASSED *Ralph E. Anderson*
ENGINEER OF BRIDGES AND STRUCTURES