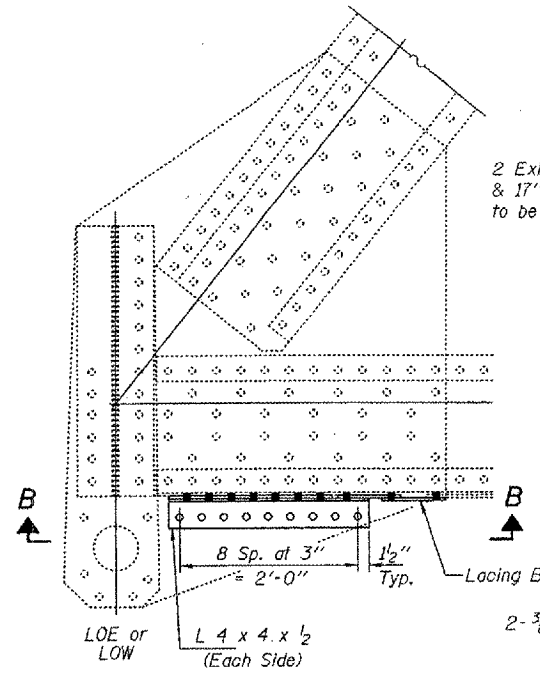


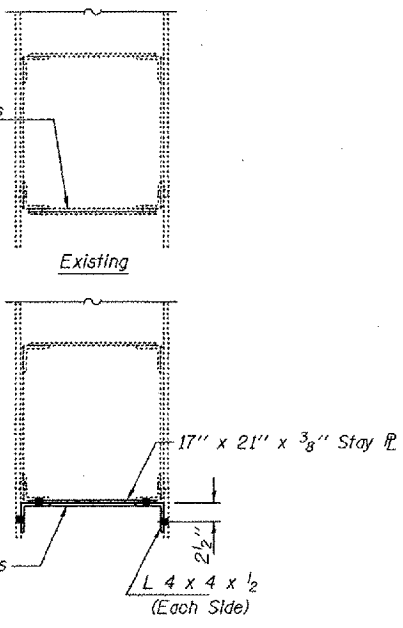
STATE OF ILLINOIS
DEPARTMENT OF TRANSPORTATION

CONTRACT 98939
U.S. RTE. 60 & U.S. RTE. 62
(138D-BR) P-1
ALEXANDER COUNTY
SHEET 81 OF 85

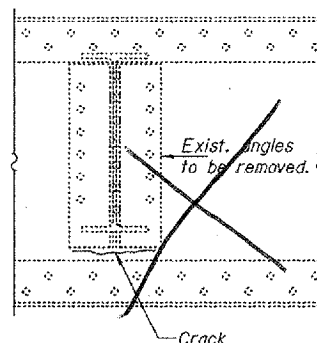


ELEVATION LOWER CHORD REPAIR

REPAIR 6

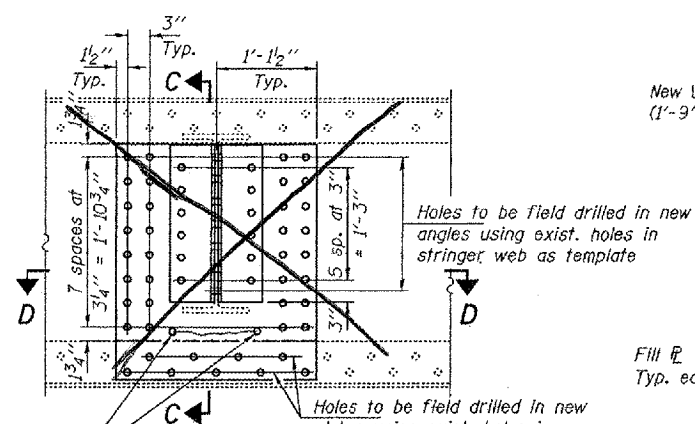


SECTION A-A



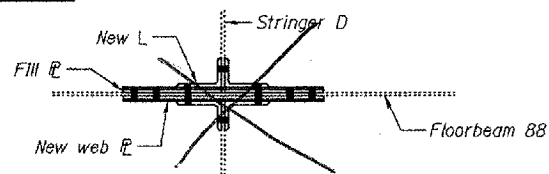
ELEVATION (Existing)

REPAIR 9

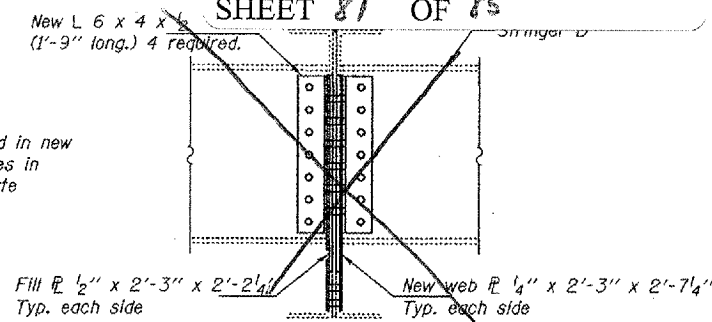


ELEVATION (Proposed)

REPAIR 9

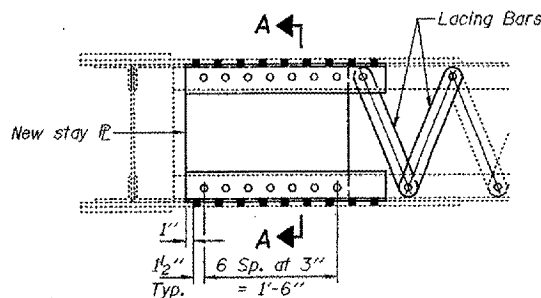


SECTION D-D

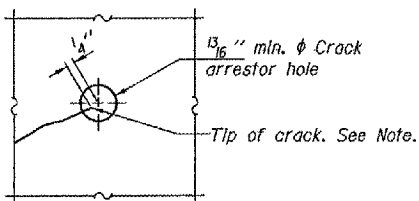


SECTION C-C

Note:
Temporary shoring & cribbing of stringer end is required.

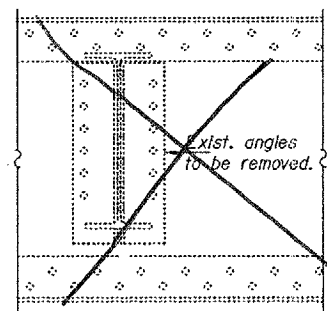


VIEW B-B

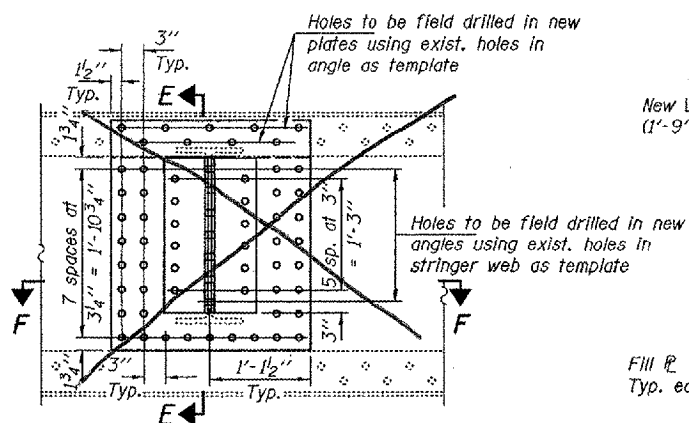


CRACK ARRESTOR HOLE DETAIL

Notes:
Locate crack tip using liquid dye penetrant or magnetic particle testing. Drill $\frac{13}{16}$ " min. ϕ crack arrestor hole at the crack tip. After crack arrestor hole has been drilled, dye penetrant or magnetic particle testing shall be used to verify that the drilled hole has captured the crack tip. Cost shall be included with Structural Steel Repair.

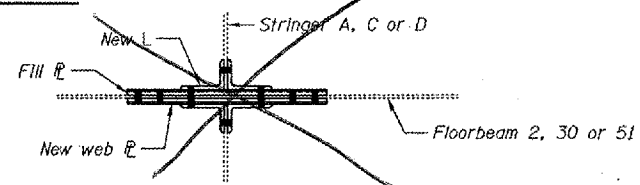


ELEVATION (Existing)



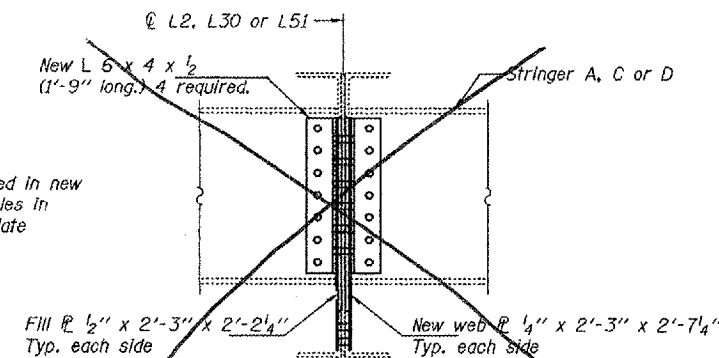
ELEVATION (Proposed)

REPAIR 9



SECTION F-F

Floorbeam 2, Stringer D
Floorbeam 30, Stringer C
Floorbeam 51, Stringer A



SECTION E-E

Note:
Temporary shoring & cribbing of stringer end is required.

DESIGNED	DAB
CHECKED	JSB
DRAWN	balva
CHECKED	DAB JSB

MARCH 14, 2005
EXAMINED *John A. Morice*
ENGINEER OF STRUCTURAL SERVICES
PASSED *Ralph E. Anderson*
ENGINEER OF BRIDGES AND STRUCTURES

BRIDGE NO. 1
STRUCTURE 002-0005
FOR INFORMATION ONLY

BRIDGE REPAIRS
OLD CAIRO BRIDGE OVER MISSISSIPPI RIVER
FAS RTE. 944 (US 60 & 62)
SEC. (138D-BR)I-5
ALEXANDER COUNTY
SN 002-0005