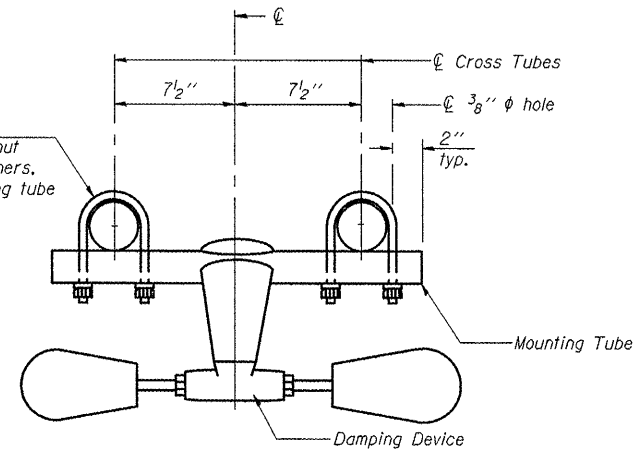
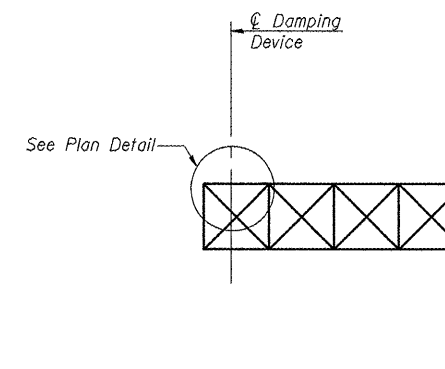


**PLAN DETAIL**



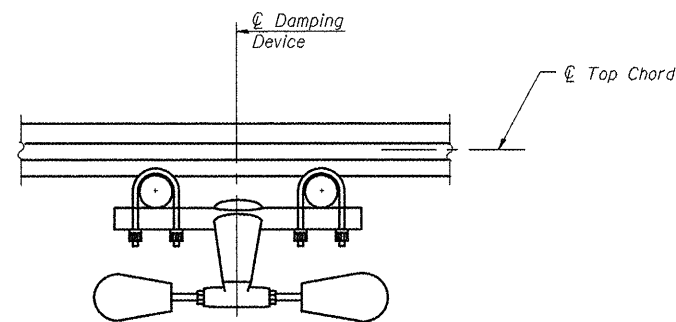
**TRUSS DAMPING DEVICE CONNECTION DETAIL**



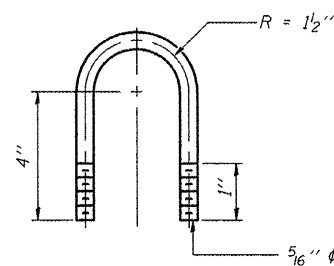
**ELEVATION**  
Aluminum Cantilever Sign Structure

**GENERAL NOTES**

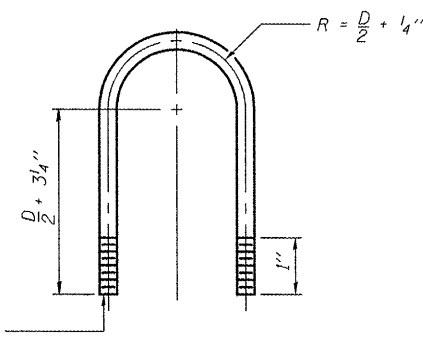
- Damper:** One damper per truss. (31 lbs. Stockbridge-Type Aluminum-29" minimum between ends of weights)
- Materials:** Aluminum tubes shall be ASTM B221 alloy 6061 temper T6



**SECTION A-A**



**DAMPING DEVICE MOUNTING TUBE U-BOLT DETAIL**  
(Typical)



**TOP CHORD TO CROSS TUBE U-BOLT DETAIL**  
(Typical)

OSC-A-D

9-15-11

FILE NAME =	USER NAME = ceer-lockjd	DESIGNED - JAL	REVISED -
ce:\pwwork\pwwork\ceer-lockjd\0266557.D	46179-shk-deta1.s.dgn	DRAWN -	REVISED -
	PLOT SCALE = 40.0000 ' / in.	CHECKED -	REVISED -
	PLOT DATE = 10/7/2011	DATE - 04/26/11	REVISED -

STATE OF ILLINOIS  
DEPARTMENT OF TRANSPORTATION

CANTILEVER SIGN STRUCTURE  
DAMPING DEVICE

SCALE: SHEET NO. 4 OF 10 SHEETS STA. TO STA.

F.A. RTE.	SECTION	COUNTY	TOTAL SHEETS	SHEET NO.
	**	Various	178	15
CONTRACT NO. 46179				
ILLINOIS FED. AID PROJECT				

•VARIOUS COUNTIES  
••D-5 OVD SIN STR REPL 2012-06