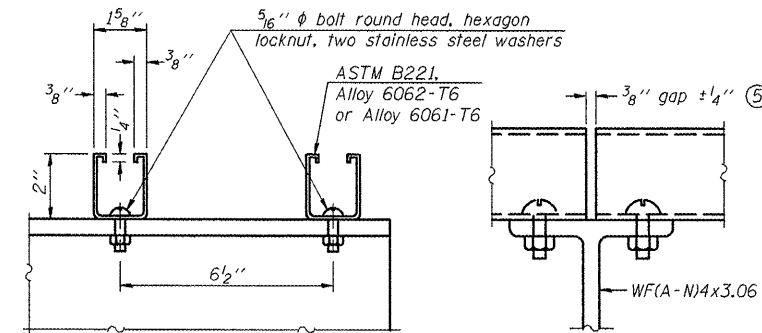
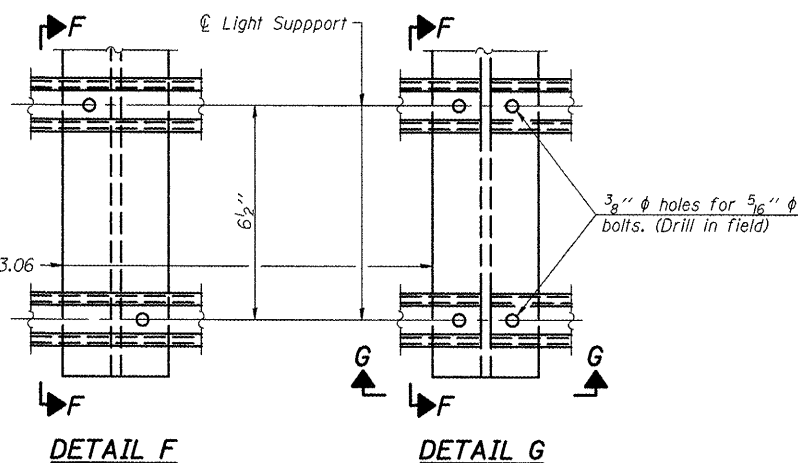


HANDRAIL DETAILS

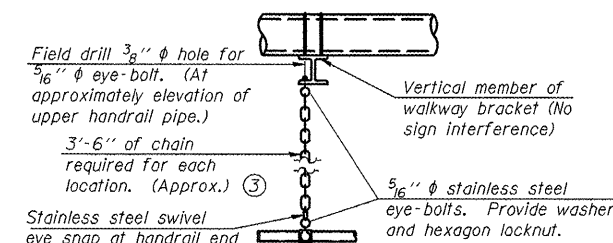
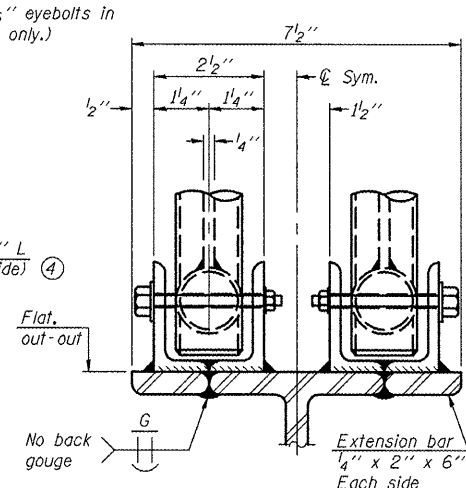
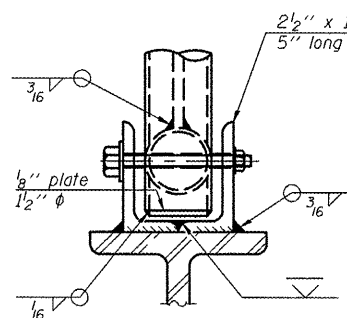
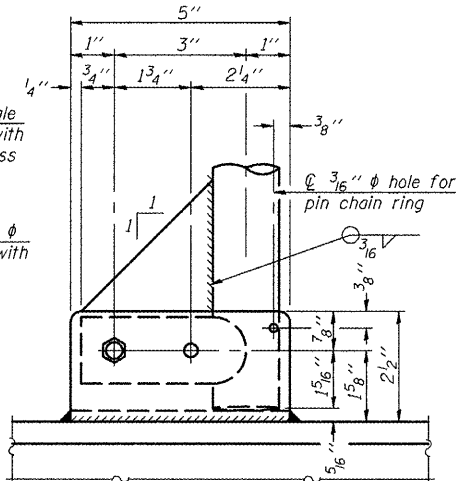
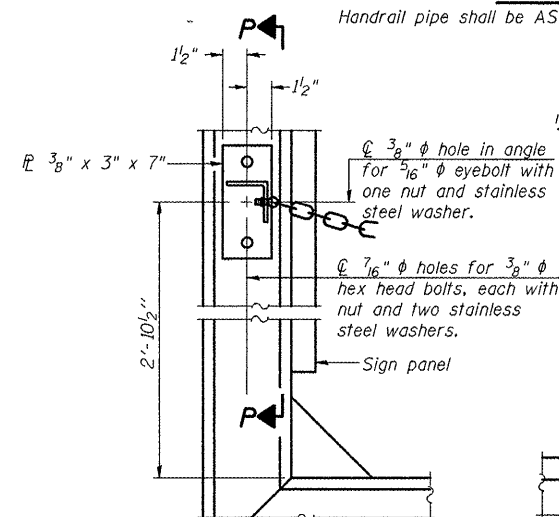
Handrail pipe shall be ASTM B241 or B429, Alloy 6063-T6 or Alloy 6061-T6.

① Install standard force-fit end caps or weld 1/8" end plates with 1/8" c.f.w. and grind smooth. (All rail ends)
② Horizontal handrail member shall be continuous thru fitting. Provide 7/16" hole in fitting for 3/8" bolt. Field drill 1/16" hole in horizontal rail member. Provide locknut and two stainless steel washers for bolt. (Use 5/16" eyebolts in 1/16" holes on top rail at ends only.)



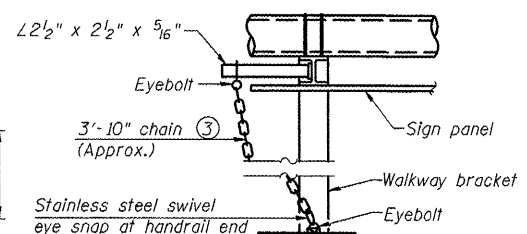
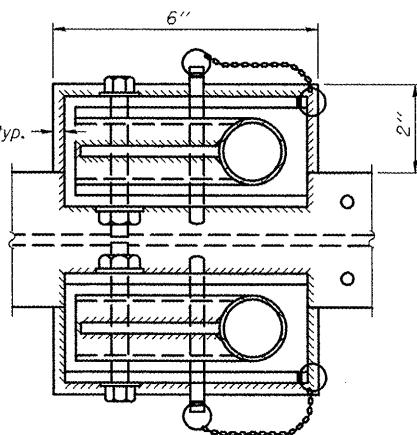
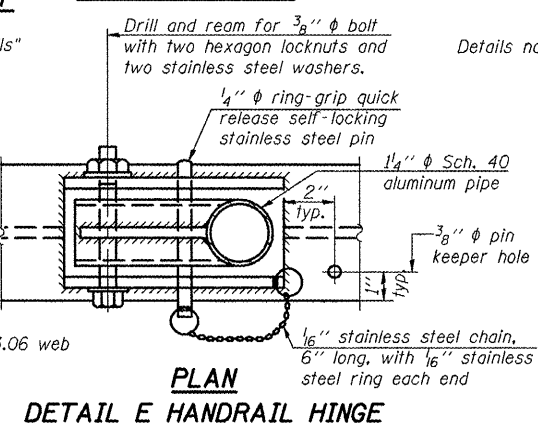
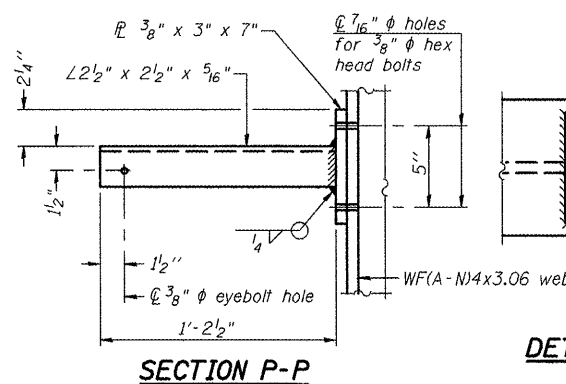
LIGHTING FIXTURE MOUNTS (IF REQUIRED)

⑤ Field cut ends of light support channels shall be free of burrs or hazardous projections and coated with zinc-rich primer or equivalent.



ALTERNATE SAFETY CHAIN ATTACHMENT

(With Sign Present)
Items not shown same as "Side Elevation" of "Handrail Details"



③ 3/16" Type 304L stainless steel chain, approximately 12 links per foot.
④ Extrusions may be used in lieu of the details shown, with approval of the Engineer.

OSC-A-8

9-15-11

FILE NAME =	USER NAME = ceerlockjd	DESIGNED - JAL	REVISED -
c:\pwork\pwork\ceerlockjd\0266557.D	646179-shr-deta1.dgn	DRAWN -	REVISED -
PLOT SCALE = 40.0000' / 1"	CHECKED -	REVISIONS -	REVISED -
PLOT DATE = 10/7/2011	DATE - 04/26/11	REVISED -	

STATE OF ILLINOIS
DEPARTMENT OF TRANSPORTATION

CANTILEVER SIGN STRUCTURES - HANDRAIL DETAILS
ALUMINUM TRUSS & STEEL POST

SCALE: SHEET NO. 9 OF 10 SHEETS STA. TO STA.

•VARIOUS COUNTIES				
•D-5 OVD SIN STR REPL 2012-06				
F.A. RTE.	SECTION	COUNTY	TOTAL SHEETS	SHEET NO.
•	••	Various	178	20
CONTRACT NO. 46179				
ILLINOIS FED. AID PROJECT				